

GENERAL INDEX

FOR DETAILED INDEX OF PLANS SEE SHEET NO. 2

DESCRIPTION	NUMBER OF SHEETS
TITLE SHEET	1
DETAILED INDEX	
GENERAL NOTES	
TYPICAL SECTIONS	
QUANTITIES	
PLAN AND PROFILES	
SPECIAL DESIGN DRAWINGS	4
BRIDGE DRAWINGS	
SPECIAL DESIGN - BRIDGES	
CROSS-SECTIONS	
TOTAL SHEETS	5

STATE OF MISSISSIPPI
MISSISSIPPI DEPARTMENT OF TRANSPORTATION

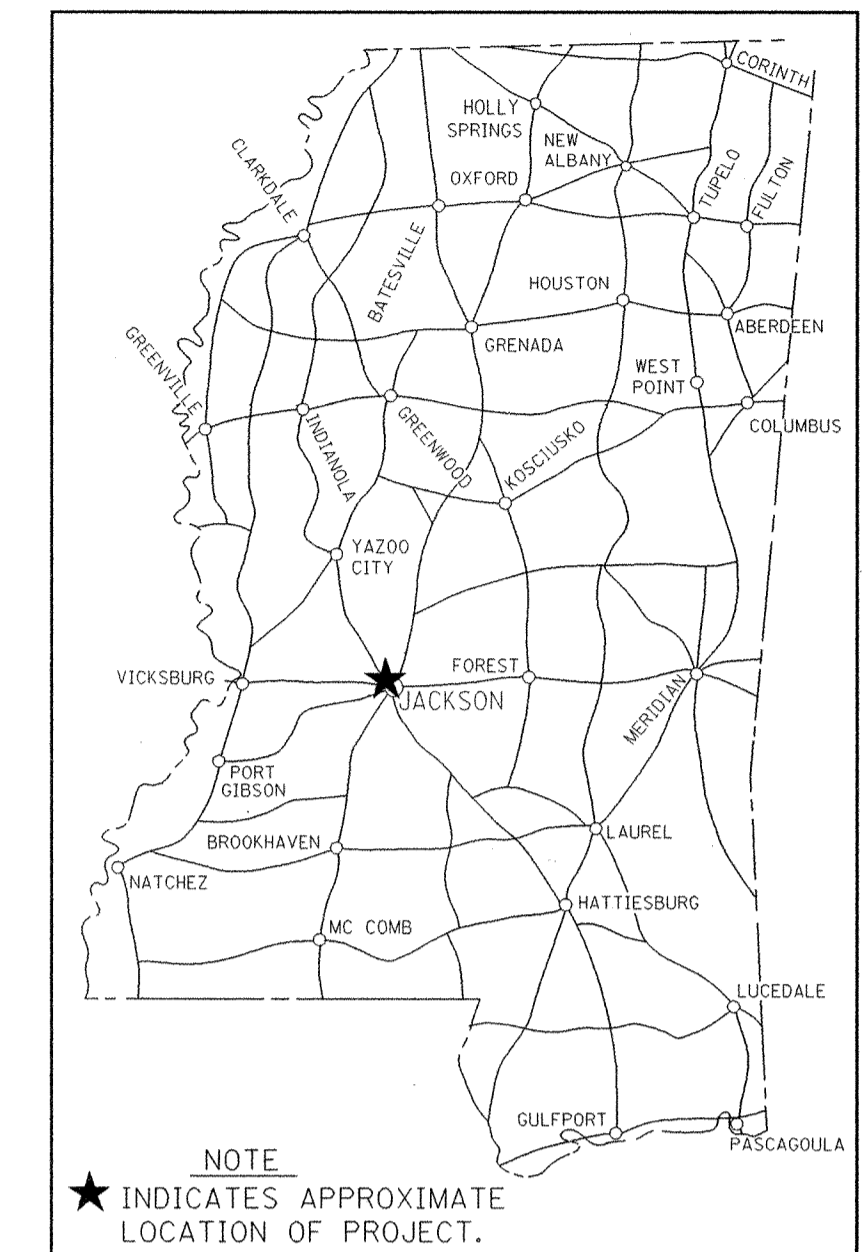
PLANS OF PROPOSED
ELECTRICAL UPGRADE TO
MATERIALS LABORATORY COMPLEX
AT JACKSON
STATE PROJECT NO. BWO-9001-25(016)

501781/301000

①03-06-07

HINDS COUNTY

FED. ROAD REG. NO.	STATE	PROJECT NO.	SHEET NO.
4	MISS.		1



DESIGN CONTROL

MPH = V (SPEED DESIGN)

ADT () = : ADT () =

DHV = : D = % T = %

PERMITS ACQUIRED BY MDOT

WETLANDS AND WATERS PERMITS (NECESSARY FOR ULTIMATE IMPROVEMENTS ONLY):

	WATERS	WETLANDS
NATIONWIDE #14	N	N
NATIONWIDE (OTHER)*	N	N
GENERAL*	N	N
INDIVIDUAL (404)*	N	N

* ACQUISITION OF PERMITS FOR TEMPORARY IMPACTS DURING CONSTRUCTION ARE THE RESPONSIBILITY OF THE CONTRACTOR

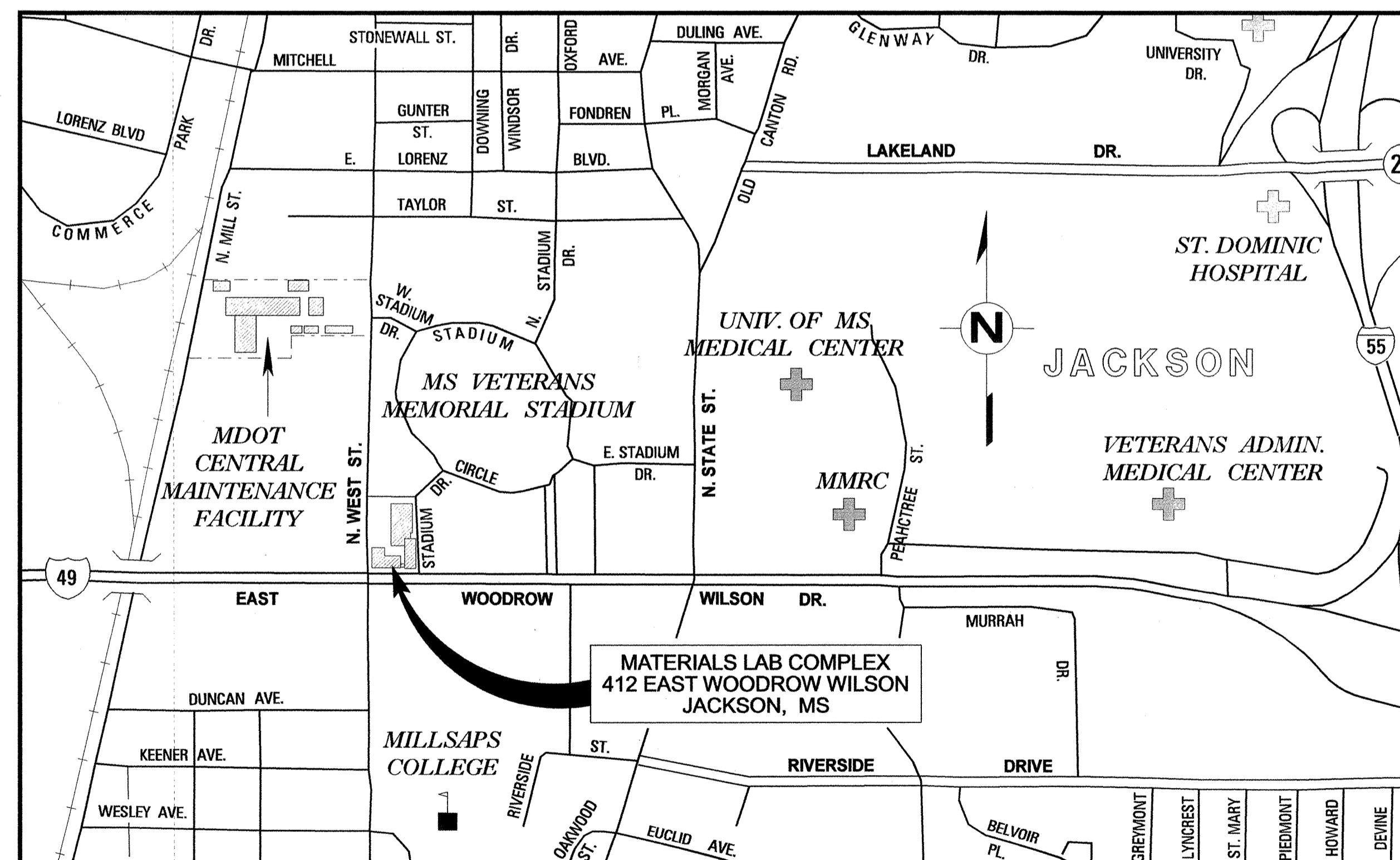
STORMWATER PERMIT N

Y REQUIRED, CNOI SUBMITTED BY MDOT (DISTRIBUTED AREA = 5 ACRES + INTB 6484)

S REQUIRED, SCNOI TO BE SUBMITTED BY CONTRACTOR (1 TO 4.99 ACRES/INTB 6483)

N NO STORMWATER PERMIT REQUIRED (<1 ACRE)

APPROVED BY: *[Signature]* DATE: 3-6-2007



CONVENTIONAL SYMBOLS

- COUNTY LINE -----
- TOWN CORPORATION LINE -----
- SECTION LINE -----
- EXISTING ROAD OR TRAVELED WAY -----
- PROPOSED ROAD OR TRAVELED WAY -----
- RAILROAD -----
- SURVEY LINE -----
- BRIDGES -----

REVISIONS	DATE	BY	APPROVED:	DATE
			<i>[Signature]</i> CHIEF ENGINEER	3/6/07
			<i>[Signature]</i> EXECUTIVE DIRECTOR	3-6-07
			MISSISSIPPI DEPARTMENT OF TRANSPORTATION	
			APPROVED:	
			DIVISION ADMINISTRATOR	DATE
			FEDERAL HIGHWAY ADMINISTRATION DEPARTMENT OF TRANSPORTATION	

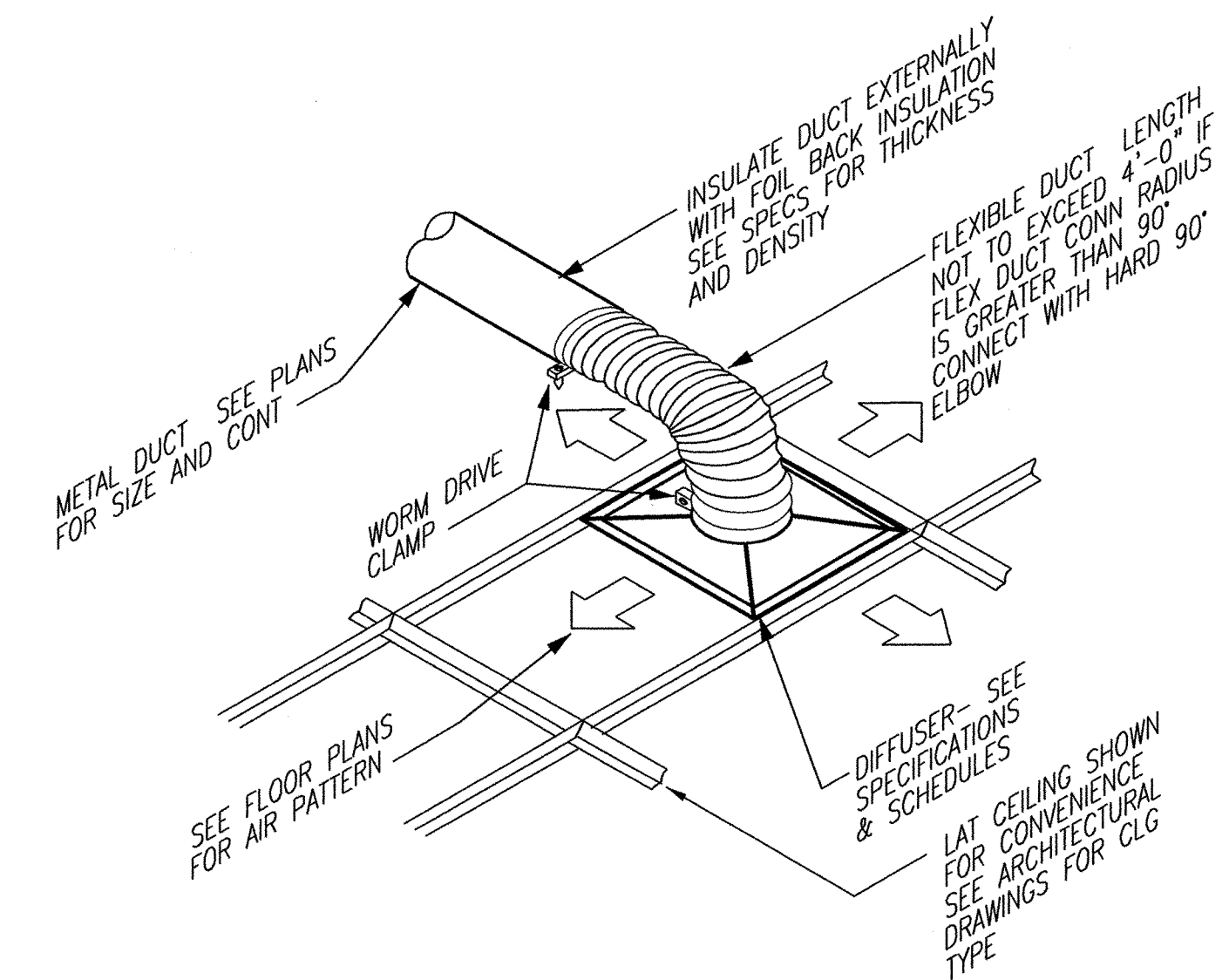
3/6/2007 9:31 AM G0011 IL.DGN TITLE: D:\ASU\PROJECTS\BWO-9001-25(016)\HINDS CO. MISSISSIPPI DEPARTMENT OF TRANSPORTATION

DESCRIPTION OF SHEET

WKG. NO. SH. NO.

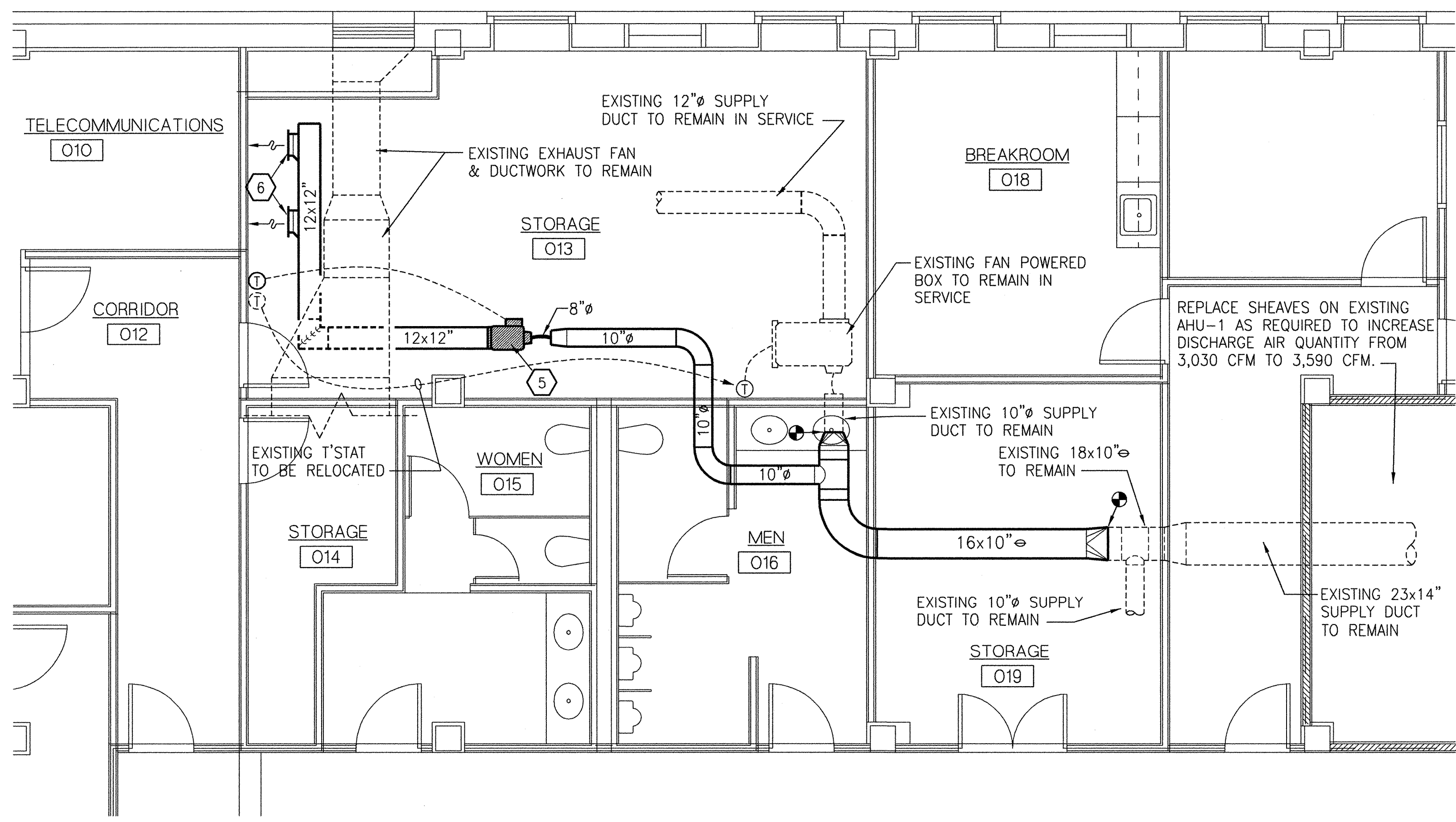
STATE PROJECT NO.
MISS. BWO-9001-25(016)

TITLE SHEET		1
DETAILED INDEX, PARTIAL FIRST AND SECOND FLOOR PLANS - HVAC	M2.1	2
ELECTRICAL LEGEND, SCHEDULES, DETAILS AND GENERAL NOTES	E0.1	3
PARTIAL FLOOR PLANS - ELECTRICAL	E2.1	4
PARTIAL BASEMENT/ENLARGED FLOOR PLANS - ELECTRICAL AND POWER RISER	E2.2	5

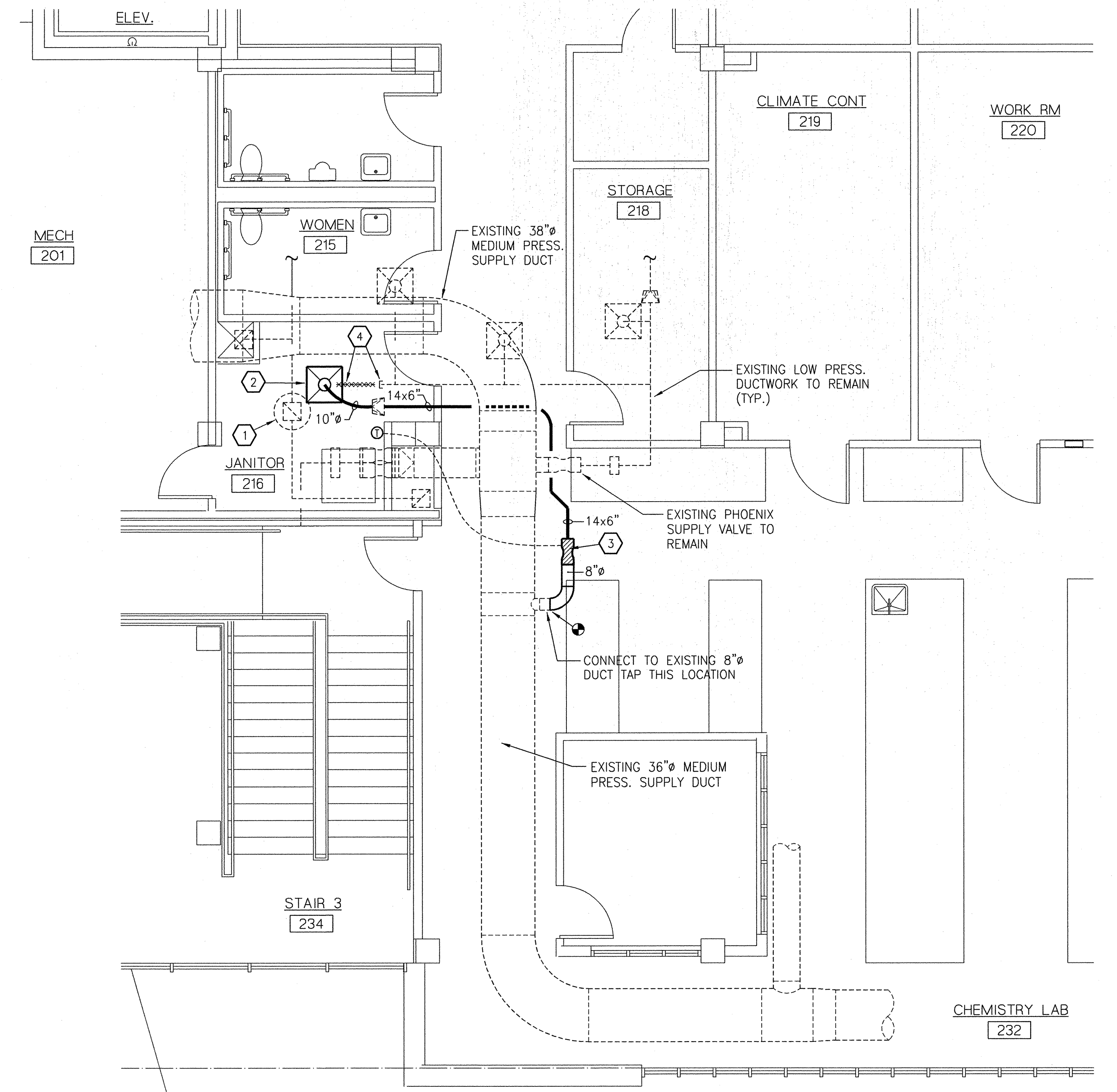


3 ROUND NECK DIFFUSER
M2.1 NOT TO SCALE

- KEY NOTES:**
- 1 REPLACE SHEAVES ON EXISTING ROOF MTD. EXHAUST FAN EF-9 AS REQUIRED TO INCREASE AIR QUANTITY FROM 820 CFM TO 910 CFM.
 - 2 REMOVE EXISTING SUPPLY DIFFUSER CURRENTLY SERVING JANITOR'S ROOM & INSTALL NEW DIFFUSER IN SAME LOCATION. NEW SUPPLY DIFFUSER EQUAL TO METAL-AIRE MODEL 5500 LOUVER FACE LAY-IN TYPE W/ 24x24" PANEL SIZE, 10"Ø NECK, 350 CFM, .08" MAX. P.D., W/ OFF-WHITE FINISH.
 - 3 FURNISH & INSTALL NEW PHOENIX SUPPLY VALVE MODEL PSVAF08 (COOLING ONLY). CONNECT TO EXISTING PNEUMATIC CONTROLS & BUILDING ENERGY MANAGEMENT SYSTEM.
 - 4 REMOVE SECTION OF EXISTING 6"Ø SUPPLY DUCTWORK & CAP AS SHOWN.
 - 5 FURNISH & INSTALL NEW TRANE VAV BOX MODEL VCCF08FF1. CONNECT TO EXISTING CONTROLS & BUILDING ENERGY MANAGEMENT SYSTEM.
 - 6 FURNISH & INSTALL NEW SIDEWALL SUPPLY GRILLE EQUAL TO METAL-AIRE MODEL V4004, 280 CFM EACH, 12x8" NK, .025" P.D., W/ OPPOSED BLADE DAMPER & OFF-WHITE FINISH.



1 PARTIAL FIRST FLOOR PLAN - HVAC
M2.1 SCALE: 1/4" = 1'-0"



2 PARTIAL SECOND FLOOR PLAN - HVAC
M2.1 SCALE: 1/4" = 1'-0"

PS & E PLANS DATE : 03/06/07
FMS CON. # 501781/101000

REVISIONS		
DATE	SHEET NO.	BY

ASU

MISSISSIPPI DEPARTMENT OF TRANSPORTATION
JACKSON MATERIALS LAB
ELECTRICAL UPGRADE

DETAILED INDEX, PARTIAL FIRST AND SECOND FLOOR PLANS - HVAC

WORKING NUMBER	M2.1
SHEET NUMBER	2

BWO-9001-25(016) HINDS COUNTY
FILENAME: 072012M201.DWG
DESIGN TEAM HESM&A CHECKED WCH DATE 03/06/07