

GENERAL INDEX

FOR DETAILED INDEX OF PLANS SEE SHEET NO. 2

DESCRIPTION	NUMBER OF SHEETS
TITLE SHEET	1
DETAILED INDEX	1
GENERAL NOTES	
TYPICAL SECTIONS	
QUANTITIES	
PLAN AND PROFILES	
SPECIAL DESIGN - BUILDING DRAWINGS	29
BRIDGE DRAWINGS	
SPECIAL DESIGN - BRIDGES	
CROSS-SECTIONS	
TOTAL SHEETS	31

TOTAL SHEETS 31

①06-05-08

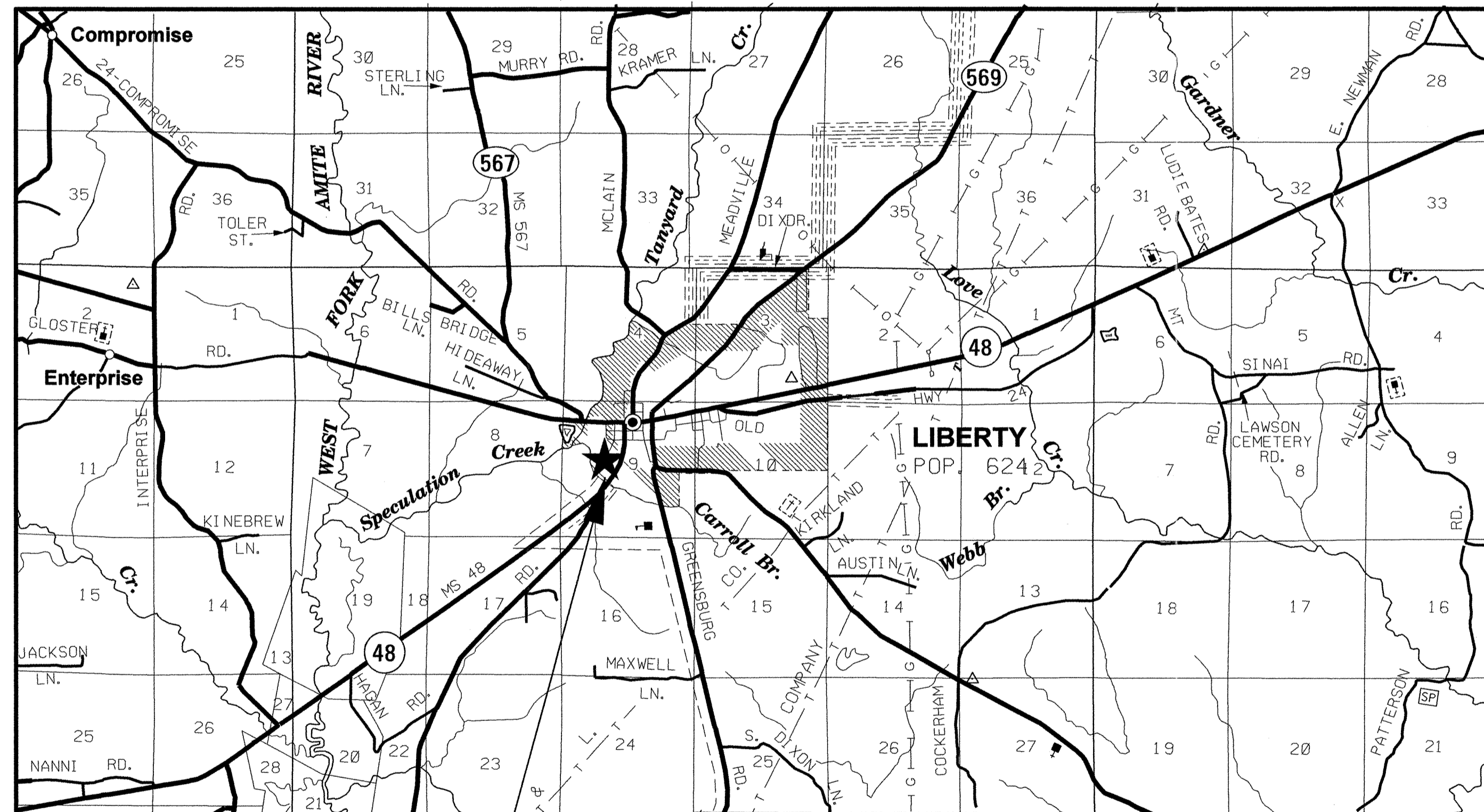
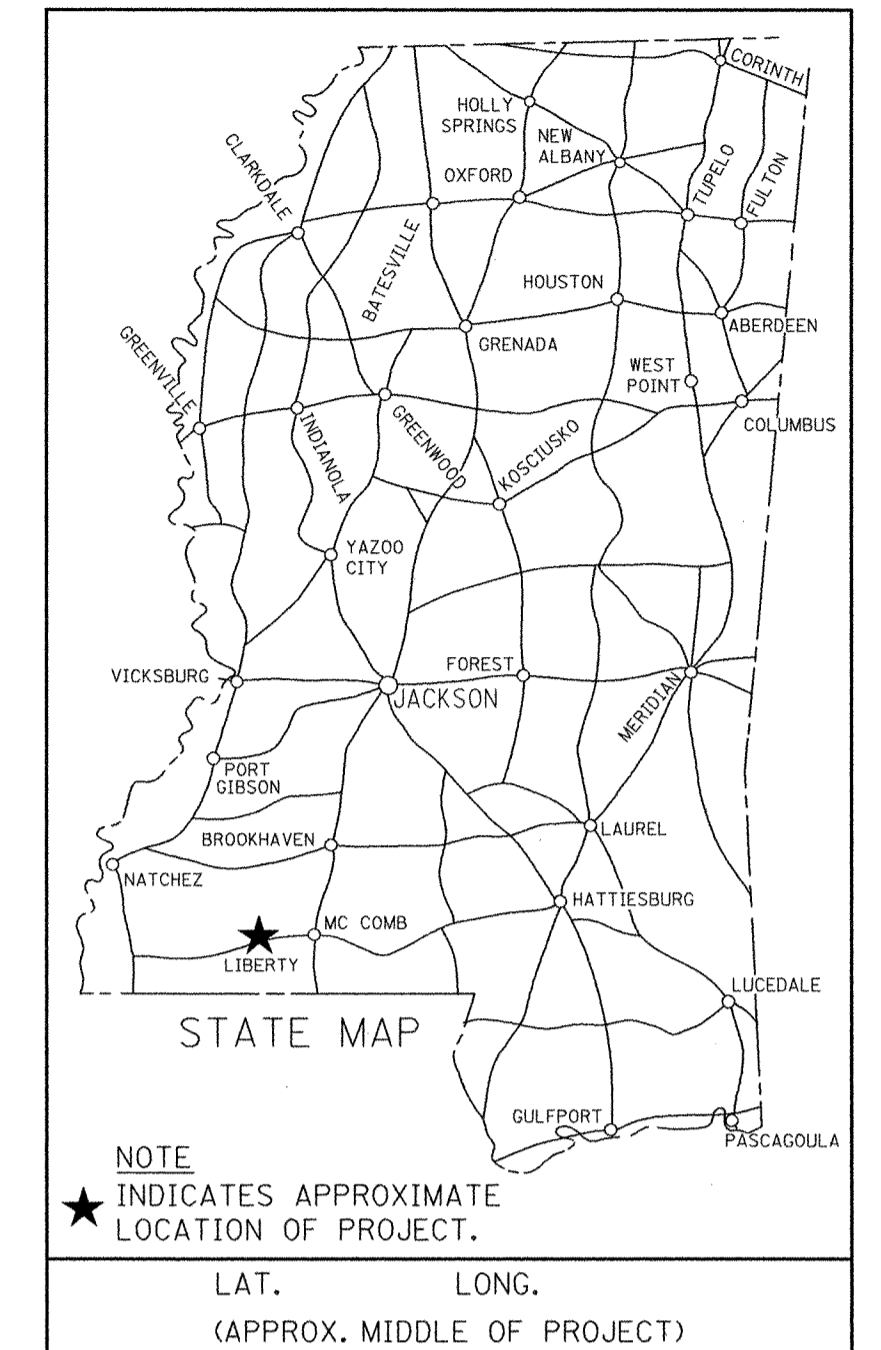
STATE OF MISSISSIPPI

MISSISSIPPI DEPARTMENT OF TRANSPORTATION

**PLANS OF PROPOSED
MAINTENANCE AREA HEADQUARTERS
AND EQUIPMENT SHED AT LIBERTY
STATE PROJECT NOS.
BWO-7099-03(001) & BWO-7117-03(001)
500240/301000 500240/302000**

AMITE COUNTY

FED. ROAD REG. NO.	STATE	PROJECT NO.	SHEET NO.
4	MISS.		1



**MAINTENANCE AREA HQ LOT
SOUTHBOUND MS HWY 48**

DESIGN CONTROL	
MPH =	V (SPEED DESIGN)
ADT () =	: ADT () =
DHV =	: D = % T = %
PERMITS ACQUIRED BY MDOT	
WETLANDS AND WATERS PERMITS (NECESSARY FOR ULTIMATE IMPROVEMENTS ONLY):	
NATIONWIDE #14	<input type="checkbox"/> WATERS <input type="checkbox"/> WETLANDS
NATIONWIDE (OTHER)*	<input type="checkbox"/> <input type="checkbox"/>
GENERAL*	<input type="checkbox"/> <input type="checkbox"/>
INDIVIDUAL (404)*	<input type="checkbox"/> <input type="checkbox"/>
* ACQUISITION OF PERMITS FOR TEMPORARY IMPACTS DURING CONSTRUCTION ARE THE RESPONSIBILITY OF THE CONTRACTOR	
STORMWATER PERMIT	<input type="checkbox"/>
Y	REQUIRED, CNOI SUBMITTED BY MDOT (DISTRIBUTED AREA = 5 ACRES + (NTB 586))
S	REQUIRED, SCNOI TO BE SUBMITTED BY CONTRACTOR (1 TO 4.99 ACRES)(NTB 14)
N	NO STORMWATER PERMIT REQUIRED (<1 ACRE)
APPROVED BY:	DATE: 6-3-08

CONVENTIONAL SYMBOLS

- COUNTY LINE -----
- TOWN CORPORATION LINE -----
- SECTION LINE -----
- EXISTING ROAD OR TRAVELED WAY -----
- PROPOSED ROAD OR TRAVELED WAY -----
- RAILROAD -----
- SURVEY LINE -----
- BRIDGES -----

REVISIONS	DATE	BY	APPROVED:	DATE
			<i>[Signature]</i>	6/4/08
			<i>[Signature]</i>	06-04-08
			MISSISSIPPI DEPARTMENT OF TRANSPORTATION	
			APPROVED:	
			DIVISION ADMINISTRATOR	DATE
			FEDERAL HIGHWAY ADMINISTRATION DEPARTMENT OF TRANSPORTATION	

6/4/2008 9:41 AM C01.TL.DGN TITLE ROADWAY DESIGN DIVISION MISSISSIPPI DEPARTMENT OF TRANSPORTATION

DESCRIPTION OF SHEET

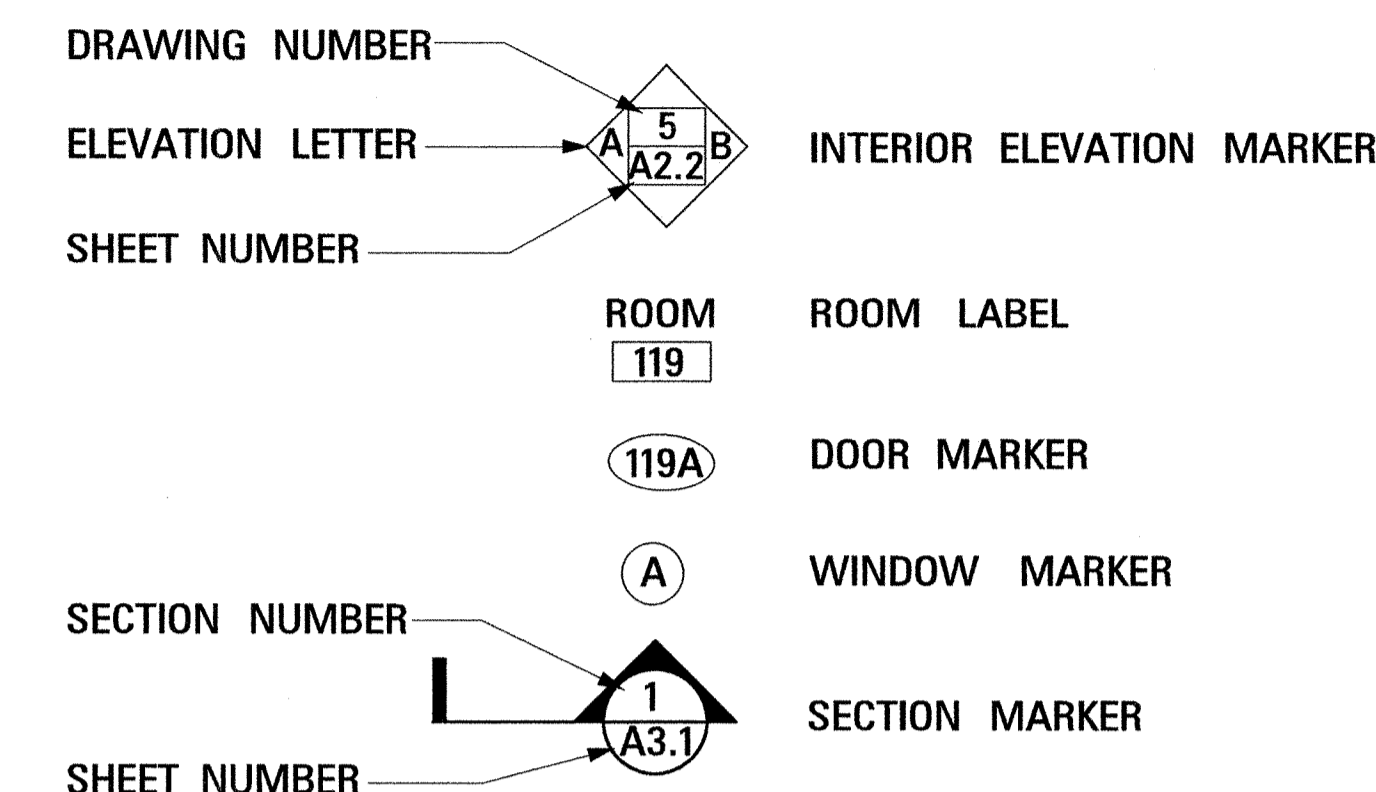
WKG. NO. SH. NO.

ABBREVIATIONS:

SYMBOL LEGEND:

TITLE SHEET		—	1
DETAILED INDEX		DI-1	2
SITE PLAN		A1.1	3
FLOOR PLAN		A1.2	4
MEZZANINE FRAMING AND FIRST FLOOR FINISH PLANS		A1.3	5
BUILDING ELEVATIONS - NORTH AND WEST		A2.1	6
BUILDING ELEVATIONS - SOUTH AND EAST		A2.2	7
INTERIOR ELEVATIONS		A2.3	8
BUILDING SECTIONS		A3.1	9
SECTIONS AND DETAILS		A4.1	10
DOOR AND WINDOW DETAILS		A5.1	11
MISCELLANEOUS SITE DETAILS		A5.2	12
SCHEDULES		A6.1	13
FOUNDATION PLAN		S1.1	14
FOUNDATION DETAILS		S5.1	15
OPEN EQUIPMENT SHED - PLAN AND DETAILS		ES1.1	16
PLUMBING LEGEND, ABBREVIATIONS, AND GENERAL NOTES		P0.1	17
SITE PLAN - PLUMBING		P1.0	18
FLOOR PLAN - PLUMBING		P2.1	19
PLUMBING DETAILS & RISER		P3.1	20
PLUMBING SCHEDULES		P4.1	21
HVAC LEGEND, ABBREVIATIONS, AND GENERAL NOTES		M0.1	22
FLOOR PLAN - HVAC		M2.1	23
HVAC DETAILS		M3.1	24
HVAC SCHEDULES		M4.1	25
ELECTRICAL LEGEND, ABBREVIATIONS, AND GENERAL NOTES		E0.1	26
SITE PLAN - ELECTRICAL		E1.0	27
FLOOR PLAN - LIGHTING		E2.1	28
FLOOR PLANS - POWER AND COMMUNICATION		E2.2	29
ELECTRICAL SCHEDULES AND EQUIPMENT SHED - ELECTRICAL		E2.3	30
POWER RISER DIAGRAM AND ELECTRICAL DETAILS		E2.3	31

- AFF ABOVE FINISH FLOOR
- BLDG..... BUILDING
- BOTT..... BOTTOM
- CJ CONTROL JOINT
- CLR CLEAR
- CONT..... CONTINUOUS
- DET DETAIL
- DIA DIAMETER
- (E)..... EXISTING
- EA EACH
- EJ EXPANSION JOINT
- ELEC..... ELECTRICAL
- EQL EQUAL
- ETR EXISTING TO REMAIN
- EXTR..... EXTRUDED
- FF FINISH FLOOR
- FT FEET
- GC GENERAL CONTRACTOR
- MECH..... MECHANICAL
- MET METAL
- NIC NOT IN CONTRACT
- OC ON CENTER
- PL PLATE
- REINF..... REINFORCING
- SCHD..... SCHEDULE
- TYP TYPICAL



PS & E PLANS-DATE..5/02/08..		
FMS CON. # 501135/301000 & 302000		
REVISIONS		
DATE	SHEET NO.	BY

MISSISSIPPI DEPARTMENT OF TRANSPORTATION MAINTENANCE AREA HEADQUARTERS AND EQUIPMENT SHED AT LIBERTY		ASU	
		DETAILED INDEX	
BWO-7099-03(001) AND BWO-7117-03(001) AMITE COUNTY		WORKING NUMBER	DI-1
FILENAME:	DI-1.DGN	SHEET NUMBER	2
DESIGN TEAM	PARKER	CHECKED	JWV
DATE	6/02/08		