

MDOT Use Only

Checked \_\_\_\_\_

Loaded \_\_\_\_\_

Keyed \_\_\_\_\_

04 -



SM No. CCM0017000411

# PROPOSAL AND CONTRACT DOCUMENTS

## FOR THE CONSTRUCTION OF

04

Installation of Fiber Optic Cable, Signal Controller, and Software, known as Federal Aid Project No. CM-0017-00(041) / 106852301 in Desoto County.

Project Completion: 06/15/2018

**(STATE DELEGATED)**

### NOTICE

**BIDDERS MUST PURCHASE A BOUND PROPOSAL  
FROM MDOT CONTRACT ADMINISTRATION DIVISION  
TO BID THIS PROJECT.**

Electronic addendum updates will be posted on [www.gomdot.com](http://www.gomdot.com)

## **SECTION 900**

### **OF THE CURRENT**

## **2004 STANDARD SPECIFICATIONS**

## **FOR ROAD AND BRIDGE CONSTRUCTION**

**JACKSON, MISSISSIPPI**

**BIDDER CHECK LIST  
(FOR INFORMATION ONLY)**

- \_\_\_\_\_ All unit prices have been entered into Expedite Bid in accordance with Subsection 102.06 of the Mississippi Standard Specifications for Road and Bridge Construction.
- \_\_\_\_\_ Expedite bid sheets have been stapled and inserted into the proposal package.
- \_\_\_\_\_ First sheet of SECTION 905--PROPOSAL has been completed.
- \_\_\_\_\_ Second sheet of SECTION 905--PROPOSAL has been completed and signed.
- \_\_\_\_\_ Addenda, if any, have been acknowledged. Second sheet of Section 905 listing the addendum number has been substituted for the original second sheet of Section 905. Substituted second sheet of Section 905 has been properly completed, signed, and added to the proposal.
- \_\_\_\_\_ DBE/WBE percentage, when the percentage in the contract is 1% or greater, has been entered on last sheet of the bid sheets of SECTION 905 - PROPOSAL.
- | \_\_\_\_\_ Form OCR-485, when required by contract, has been completed.
- \_\_\_\_\_ Combination Bid Proposal of SECTION 905--PROPOSAL has been completed for each project which is to be considered in combination (See Subsection 102.11).
- | \_\_\_\_\_ Equal Opportunity Clause Certification, when included in contract, has been completed.
- | \_\_\_\_\_ Subcontract Certificate, when included in contract, has been completed.
- \_\_\_\_\_ The Certification regarding Non-Collusion, Debarment and Suspension, etc. has been executed in duplicate.
- \_\_\_\_\_ A certified check, cashier's check or bid bond payable to the State of Mississippi in the principal amount of 5% of the bid has been included with project number identified on same. A bid bond has been signed by the bidder and has also been signed or countersigned by a Mississippi Agent or Qualified Nonresident Agent for the Surety with Power of Attorney attached.
- | \_\_\_\_\_ ON FEDERAL FUNDED PROJECTS, the [page](#) regarding DUNS Requirements has been completed and included in the contract documents.
- \_\_\_\_\_ Non-resident Bidders: ON STATE FUNDED PROJECTS ONLY, a copy of the current laws regarding any preference for local Contractors from State wherein domiciled has been included. See Subsection 103.01, Mississippi Standard Specifications for Road and Bridge Construction, and Section 31-7-47, MCA, 1972 regarding this matter.

Return the MDOT flash drive with completed EBS file, proposal and contract documents in its entirety in a sealed envelope. DO NOT remove any part of the contract documents; exception - an addendum requires substitution of second sheet of Section 905. A stripped proposal is considered as an irregular bid and will be rejected.

Failure to complete any or all of the applicable requirements will be cause for the proposal to be considered irregular.

**MISSISSIPPI DEPARTMENT OF TRANSPORTATION  
TABLE OF CONTENTS**

**PROJECT: CM-0017-00(041) / 106852301 - Desoto**

Section 901 - Advertisement

Section 904 - Notice to Bidders

#1	Governing Specifications
#3	Final Cleanup
#342	Open Burning - Restriction On Ozone Action Days
#640	Fiber Reinforced Concrete
#1405	Errata & Modifications to 2004 Standard Specifications
#1727	Railway-Highway Provision, w/ Supplement
#1928	Federal Bridge Formula
#2382	Status of ROW, w/ Attachments
#2418	Clearing and/or Grubbing
#2818	Non-Quality Control / Quality Assurance Concrete
#3067	Storm Water Discharge Associated with Construction Activities ( $\geq 1$ and $< 5$ Acres)
#3612	Additional Erosion Control Requirements
#3893	Petroleum Products Base Price
#4214	Safety Apparel
#4473	Alternate Crushed Stone Base Bid Items
#4526	Electronic Addendum Process
#4565	Manual on Uniform Traffic Control Devices (MUTCD)
#4661	Payroll Requirements
#4740	Illinois Central Construction Requirements
#5044	Questions Regarding Bidding
#5053	Contractor Correspondence
#5252	Terminal End Sections
#5266	Disadvantaged Business Enterprise, w/ Supplement
#5405	Traffic Control Devices
#5412	Weight Limits
#5545	Burn-in Period
#5556	DUNS Requirement for Federal Funded Projects
#5679	Bidding Methods
#5685	DBE Forms, Participation and Payment
#5824	Adjustments for Bituminous Materials
#5825	Contract Time
#5826	Specialty Items
#5827	Traffic Management Center (TMC) Modifications
#5828	Cooperation Between Contractors
#5829	ITS Equipment Cabinet Modifications
#5830	Camera Pole with Foundation
#5831	Location & Configuration of Communication Nodes
#5832	Add Option Bidding
906	Required Federal Contract Provisions -- FHWA 1273, w/Supplements

**PROJECT: CM-0017-00(041) / 106852301 - Desoto**

Section 907 - Special Provisions

907-101-4	Definitions
907-102-10	Bidding Requirements and Conditions, w/ Supplement
907-103-11	Award and Execution
907-104-5	Scope of Work
907-104-6	Partnering Process
907-105-8	Control of Work
907-107-13	Legal Relations and Responsibility to Public
907-107-14	Contractor's Protection Plan, w/ Supplement
907-108-37	Prosecution and Progress, w/ Supplement
907-109-7	Measurement and Payment
907-110-2	Wage Rates
907-216-1	Solid Sodding
907-225-4	Grassing
907-237-4	Wattles
907-246-3	Sandbags & Rockbags
907-304-13	Granular Courses
907-401-7	Asphalt Pavements
907-403-14	Asphalt Pavements
907-407-2	Tack Coat
907-601-1	Structural Concrete
907-618-13	Temporary Construction Signs
907-630-7	Remove and Reset Signs
907-630-14	Contractor Designed Sign Supports
907-637-5	ITS Equipment Cabinets
907-639-8	Traffic Signal and ITS Equipment Poles
907-642-2	Solid State Traffic Actuated Controllers
907-648-6	Radio Interconnect System
907-650-9	On-Street Video Equipment
907-656-11	Dynamic Message Sign
907-657-11	Fiber Optic Cable (OSP)
907-658-8	Networking Equipment
907-659-4	Traffic Management Center (TMC) Modifications
907-660-1	OTN Node
907-661-2	Rest Area Video Kiosk
907-662-6	Video Communication Equipment
907-663-2	Traffic Signal Software
907-666-1	Electric Cable
907-668-1	Traffic Signal Conduit
907-670-2	ITS Radar Detection System
907-674-1	Travel Time Sign
907-697-3	Bluetooth Detection System (BDS)
907-699-5	Construction Stakes
907-701-5	Hydraulic Cement, w/ Supplement
907-702-5	Specifications for Bituminous Materials
907-703-12	Aggregates, w/ Supplement
907-711-4	Synthetic Structural Fiber Reinforcement

**PROJECT: CM-0017-00(041) / 106852301 - Desoto**

907-713-5	Admixtures for Concrete
907-714-8	Miscellaneous Materials
907-715-4	Roadside Development Materials
907-804-16	Concrete Bridges and Structures
907-899-2	Railway-Highway Provisions
906-7	Training Special Provisions

Section 905 - Proposal, Proposal Bid Items, Combination Bid Proposal  
Certification of Performance - Prior Federal-Aid Contracts  
Certification Regarding Non-Collusion, Debarment and Suspension (2)  
SAM.GOV Registration and DUNS Number  
Section 902 - Contract Form  
Section 903 - Contract Bond Forms  
Form -- OCR-485

(REVISIONS TO THE ABOVE WILL BE INDICATED ON THE SECOND SHEET  
OF SECTION 905 AS ADDENDA)

09/30/2015 12:15 PM

# MISSISSIPPI DEPARTMENT OF TRANSPORTATION

## SECTION 901 - ADVERTISEMENT

Sealed bids will be received by the Mississippi Transportation Commission in the Office of the Contract Administration Engineer, Room 1013, Mississippi Department of Transportation Administration Building, 401 North West Street, Jackson, Mississippi, until 10:00 o'clock A.M., Tuesday, October 27, 2015, and shortly thereafter publicly opened on the Sixth Floor for:

Installation of Fiber Optic Cable, Signal Controller, and Software, known as Federal Aid Project No. CM-0017-00(041) / 106852301 in Desoto County.

The attention of bidders is directed to the Contract Provisions governing selection and employment of labor. Minimum wage rates have been predetermined by the Secretary of Labor and are subject to Public Law 87-581, Work Hours Act of 1962, as set forth in the Contract Provisions.

The Mississippi Department of Transportation hereby notifies all bidders that it will affirmatively insure that in any contract entered into pursuant to this advertisement, disadvantaged business enterprises will be afforded full opportunity to submit bids in response to this invitation and will not be discriminated against on the grounds of race, color, sex, age, disability, religion or national origin in consideration for an award.

**The award of this contract will be contingent upon the Contractor satisfying the DBE requirements.**

Bid proposals must be purchased online at <https://shopmdot.ms.gov>. Specimen proposals may be viewed and downloaded online at no cost at <http://mdot.ms.gov> or purchased online. Proposals are available at a cost of Ten Dollars (\$10.00) per proposal plus a small convenience fee. Cash or checks will not be accepted as payment.

Plans must be purchased online at <https://shopmdot.ms.gov>. Costs of plans will be on a per sheet basis plus a small convenience fee. If you have any questions, you can contact the MDOT Plans Print Shop at (601) 359-7460, or e-mail at [plans@mdot.state.ms.us](mailto:plans@mdot.state.ms.us). Plans will be shipped upon receipt of payment. [Cash or checks will not be accepted as payment.](#)

Bid bond, signed or countersigned by a Mississippi Agent or Qualified Nonresident Agent, with Power of Attorney attached, a Cashier's check or Certified Check for five (5%) percent of bid, payable to STATE OF MISSISSIPPI, must accompany each proposal.

The attention of bidders is directed to the provisions of Subsection 102.07 pertaining to irregular proposals and rejection of bids.

MELINDA L. MCGRATH  
EXECUTIVE DIRECTOR

# MISSISSIPPI DEPARTMENT OF TRANSPORTATION

**SECTION 904 - NOTICE TO BIDDERS NO. 1**

**CODE: (IS)**

**DATE: 05/03/2004**

**SUBJECT: Governing Specifications**

The current (2004) Edition of the Standard Specifications for Road and Bridge Construction adopted by the Mississippi Transportation Commission is made a part hereof fully and completely as if it were attached hereto, except where superseded by special provisions, or amended by revisions of the Specifications contained herein. Copies of the specification book may be purchased from the MDOT Construction Division.

A reference in any contract document to controlling requirements in another portion of the contract documents shall be understood to apply equally to any revision or amendment thereof included in the contract.

In the event the plans or proposal contain references to the 1990 Edition of the Standard Specifications for Road and Bridge Construction, it is to be understood that such references shall mean the comparable provisions of the 2004 Edition of the Standard Specifications.

## MISSISSIPPI DEPARTMENT OF TRANSPORTATION

**SECTION 904 - NOTICE TO BIDDERS NO. 3**

**CODE: (SP)**

**DATE: 05/03/2004**

**SUBJECT: Final Clean-Up**

Immediately prior to final inspection for release of maintenance, the Contractor shall pick up, load, transport and properly dispose of all litter from the entire highway right-of-way that is within the termini of the project.

Litter shall include, but not be limited to, solid wastes such as glass, paper products, tires, wood products, metal, synthetic materials and other miscellaneous debris.

Litter removal is considered incidental to other items of work and will not be measured for separate payment.



## MISSISSIPPI DEPARTMENT OF TRANSPORTATION

**SECTION 904 - NOTICE TO BIDDERS NO. 342**

**CODE: (SP)**

**DATE: 11/18/2004**

**SUBJECT: Open Burning - Restrictions On Ozone Action Days**

In response to Mississippi Department of Environmental Quality (MDEQ) concern of the air quality (ground-level ozone) in Desoto, Hancock, Harrison and Jackson Counties, the Department of Transportation agreed to place certain restrictions on open burning of land-clearing debris.

The Contractor is advised that no open burning of land-clearing debris will be permitted to begin during ozone action days as designated by MDEQ. An ozone action day is defined as a 24-hour period when the ozone concentration reaches an unacceptable pre-determined level. Usually, an ozone action day has a duration of one (1) day. It is estimated that 3 to 15 ozone action days could occur from April through October.

During open burning operations, each day the Project Engineer will check the 1, 2, and 3-day ozone forecasts made available by MDEQ on their web site, [www.deq.state.ms.us](http://www.deq.state.ms.us), and will e-mail or FAX the forecasts to the Contractor. The Contractor shall provide the Project Engineer sufficient time to monitor the ozone forecasts prior to commencing any open burning operation. The Contractor can not begin open burning until the forecast for the next three (3) days are non-ozone action days. However, when the Contractor is permitted to begin open burning, that day's burning shall continue regardless of the ozone forecasts when checked the following day. For example, if the Project Engineer on Monday A.M. checks the forecasts and finds that Monday, Tuesday and Wednesday are non-ozone action days, the Contractor may begin open burning. If the Project Engineer checks the forecasts on Tuesday and finds that Wednesday has been designated as an ozone action day, the open burning that was started on Monday may continue, but the Contractor can not begin any new burning until the next 3-day forecasts indicate non-ozone action days.

All the provisions of Subsection 107.22.2 of the Standard Specifications shall apply.

Restrictions as set forth herein will not be a basis for additional time units and/or compensation.

## MISSISSIPPI DEPARTMENT OF TRANSPORTATION

| SECTION 904 - NOTICE TO BIDDERS NO. 640

CODE: (IS)

| DATE: 09/26/2005

SUBJECT: Fiber Reinforced Concrete

Bidders are hereby advised that synthetic structural fibers meeting the requirements of Subsection 907-711.04 may be used in lieu of wire mesh in some items of construction. Substitution of fibers for wire mesh will be allowed in the construction of paved ditches, paved flumes, paved inlet apron, driveways, guard rail anchors and pile encasements. Substitution in any other items of work must be approved by the State Construction Engineer prior to use.

# MISSISSIPPI DEPARTMENT OF TRANSPORTATION

SECTION 904 - NOTICE TO BIDDERS NO. 1405

CODE: (IS)

DATE: 03/15/2007

SUBJECT: ERRATA AND MODIFICATIONS TO THE 2004 STANDARD SPECIFICATIONS

<u>Page</u>	<u>Subsection</u>	<u>Change</u>
101	201.01	In the second sentence of the first paragraph, change “salvable” to “salvageable”.
107	202.04	In the fourth sentence of the fourth paragraph, change “yard” to “feet”.
107	202.05	In the list of units measurements for 202-B, add “square foot”.
132	211.03.4	In the second sentence of the second paragraph, change “planted” to “plated”.
192	306.02.4	In the first line of the first paragraph, delete the word “be”.
200	307.03.7	In the fourth sentence of the second paragraph, change “lime-fly ash” to “treated”.
236	401.01	Change the header from “Section 403” to “Section 401”.
242	401.02.3.2	In the first sentence of the third full paragraph, add “1/8” in the blank before the inch mark.
250	401.02.6.3	In the second sentence of the first paragraph on page 250, change “rutting over ” to “rutting over 1/8” ”.
253	401.02.6.4.2	In the paragraph preceding the table, change “91.0” to “89.0”.
259	401.03.1.4	In the first paragraph, change “92.0 percent” to “the specified percentage (92.0 or 93.0)”.
269	403.03.2	In the table at the top of page 269, change the PI requirement from “=” to “≤”.

- 278 404.04 In the second sentence, change the subsection from “401.04” to “403.04”.
- 283 409.02.2 Change “PG 64-22” to “PG 67-22”.
- 294 413.02 In the first sentence of the second paragraph, change “707.02.1.3” to “Subsection 707.02.1.3”.
- 340 511.04 In the second sentence of the second paragraph, change “412” to “512”.
- 349 601.03.3 In the first sentence, change “804.03.2” to “804.03.5”.
- 355 603.02 Change the subsection reference for Joint mortar from “707.03” to “714.11”.
- 369 604.04 In the first sentence, change “601.04” to “Subsection 601.04”.
- 427 619.04 Delete the second paragraph.
- 442 625.04 In the third paragraph, change “626.04” to “Subsection 626.04”.
- 444 626.03.1.2 Delete the third sentence of the first paragraph.
- 464 631.02 Change the subsection reference for Water from “714.01.0” to “714.01.1”.
- 570 682.03 Change the subsection number from “682-03” to “682.03”.
- 575 683.10.4 Change the subsection number from “683.10.4” to “683.04”.
- 575 683.10.5 Change the subsection number from “683.10.5” to “683.05”.
- 596 701.02 In the table under the column titled “Cementations material required”, change “Class F, FA” to “Class F FA,”.
- 603 702.11 In the first sentence, change “702.12” to “Subsection 702.12”.
- 612 703.04.2 In the fifth paragraph, delete “Subsection 703.11 and”.
- 616 703.07.2 In the Percentage By Weight Passing Square Mesh Sieves table, change the No. 10 requirement for Class 7 material from “30 - 10” to “30 - 100”.

- 618 703.13.1 In the first sentence of the first paragraph, change “703.09” to “703.06”.
- 618 703.13.2 In the first sentence, change “703.09” to “703.06”.
- 671 712.06.2.2 In the first sentence, change “712.05.1” to “Subsection 712.05.1”.
- 689 714.11.2 In the first sentence, change “412” to “512”.
- 709 715.09.5 In the first sentence of the first paragraph, change “guage” to “gauge”.
- 717 717.02.3.4 In the top line of the tension table, change “1 1/2” to “1 1/8” and change “1 1/8” to “1 1/2”.
- 741 720.05.2.2 In the last sentence of this subsection, change “720.05.2.1” to “Subsection 720.05.2.1”.
- 827 803.03.2.3.7.5.2 In the first sentence of the second paragraph, change “803.03.5.4” to “803.03.2.3.4”.
- 833 803.03.2.6 In the first sentence, change “803.03.7” to “803.03.2.5”.
- 854 804.02.11 In the last sentence of the first paragraph, change “automatically” to “automatic”.
- 859 804.02.13.1.3 In the last sentence, change Subsection “804.02.12.1” to “804.02.12”.
- 879 804.03.19.3.2 In the first sentence of the third paragraph, change “listed on of Approved” to “listed on the Approved”.
- 879 804.03.19.3.2 In the last sentence of the last paragraph, change “804.03.19.3.1” to “Subsection 804.03.19.3.1”.
- 962 814.02.3 In the first sentence, change “710.03” to “Subsection 710.03”.
- 976 820.03.2.1 In the first sentence, change “803.02.6” to “803.03.1.7”.
- 976 820.03.2.2 In the first sentence, change “803.03.9.6” to “803.03.1.9.2”.
- 985 Index Change the subsection reference for Petroleum Asphalt Cement from “702.5” to “702.05”.

985	Index	Change the subsection reference for the Definition of Asphaltic Cement or Petroleum Asphalt from “700.2” to “700.02”.
985	Index	Change the subsection reference for Automatic Batchers from “501.03.2.4” to “804.02.10.4”.
986	Index	Delete “501.03.2” as a subsection reference for Batching Plant & Equipment.
988	Index	Change the subsection reference for the Central Mixed Concrete from “501.03.3.2” to “804.02.11”.
988	Index	Change the subsection reference for the Concrete Batching Plant & Equipment from “501.03.2” to “804.02.11”.
999	Index	Delete “501.03.3.3” as a subsection reference for Truck Mixers.
1001	Index	Change the subsection reference for Edge Drain Pipes from “605.3.5” to “605.03.5”.
1002	Index	Change the subsection reference for Metal Posts from “713.05.2” to “712.05.2”.
1007	Index	Change the subsection reference for Coarse Aggregate of Cement Concrete Table from “703.3” to “703.03”.
1007	Index	Change the subsection reference for Composite Gradation for Mechanically Stabilized Courses Table from “703.8” to “703.08”.
1009	Index	Delete “501.03.3.3” as a subsection reference for Truck Mixers and Truck Agitators.
1010	Index	Delete reference to “Working Day, Definition of”.

**MISSISSIPPI DEPARTMENT OF TRANSPORTATION**

**SUPPLEMENT TO NOTICE TO BIDDERS NO. 1727**

**DATE: 09/14/2015**

**PROJECT: CM-0017-00(041) / 106852301 -- Desoto County**

**The project right of way crosses the right of way owned by the railroad identified below.**

After the second paragraph on page 1, add the following:

**Name Insured:** Iowa Pacific Holdings, LLC (operating as Illinois Company Rail Road, LLC)

Description and Designation: SR 302 from Miss. Highway 301 to US Highway 51  
Milepost #: 405.21  
Crossing #: 297- 587M

After the fourth paragraph on page 1, add the following:

Iowa Pacific Holdings, LLC (operating as Illinois Company Rail Road, LLC)  
118 South Clinton St., Ste. 400  
Chicago, IL 60661

Phone: 312-466-0900

Fax: 312-466-9589

## MISSISSIPPI DEPARTMENT OF TRANSPORTATION

SECTION 904 - NOTICE TO BIDDERS NO. 1727

CODE: (SP)

DATE: 09/20/2007

SUBJECT: Railway-Highway Provisions

Prior to bidding, the Contractor shall contact the Railroad concerning insurance coverage required for this project. In case the railroad requires coverage over and above that required by the Standard Specifications, the railroad requirements shall be met.

The name insured, description of the work and designation of the job site to be shown on the Policy are as follows:

Notice of starting to work, completion of any required forms, and correspondence pertaining to railroad liability insurance shall be directed to the person below.

The Contractor shall not commence, or carry on, any work for installation, maintenance, repair, changing or renewal of any FACILITY, under, over or on RAILROAD property at any location without giving at least ten (10) working days prior notice to the RAILROAD authorized representative at the RAILROAD's office(s) below.

If in the opinion of the RAILROAD, the presence of an authorized representative of the RAILROAD is required to supervise the same, the RAILROAD shall render bills to the Contractor for all expenses incurred by it for such supervision. This includes all labor costs for flagmen or cable locate supplied by the RAILROAD to protect RAILROAD operation, and for the full cost of furnishing, installation and later removal of any temporary supports for said tracks, as the RAILROAD's Chief Engineer's Office may deem necessary.

**It will be the Contractor's responsibility to pay all bills associated with railroad flagging and cable locating.** Generally, the flagging rate is \$700.00 per day (1 to 8 hours) plus overtime at \$125.00 per hour, however, the Contractor shall contact the RAILROAD to verify all rates.

A flagman is required anytime a Contractor does any work on or near RAILROAD property within twenty-five (25) feet horizontally of the centerline or any work over any railroad track. The RAILROAD, however, also reserves the right to require a flagman for work on RAILROAD property, which is more than twenty-five (25) feet from the centerline of a railroad track when there are other conditions or considerations that would dictate the need for a flagman to safeguard the RAILROAD's operations, property and safety of working personnel.

A cable locate of RAILROAD owned facilities may be required to identify and protect Signal & Communication cables that have been installed to provide power, signal control, wayside communications. These cables are vital to a safe and reliable railway operation. The cable locate will be performed by a qualified RAILROAD employee.

Outside Contractors are prohibited from driving on, along, or across any track that does not have



a RAILROAD installed crossing. They may utilize an existing public crossing. The practice of allowing rubber tired equipment to operate over track with no crossing has been banned.

Exceptions to this rule will require the express approval from the RAILROAD Engineers.

## MISSISSIPPI DEPARTMENT OF TRANSPORTATION

| SECTION 904 - NOTICE TO BIDDERS NO. 1928

CODE: (IS)

| DATE: 04/14/2008

SUBJECT: Federal Bridge Formula

Bidders are hereby advised that Federal Highway Administration Publication No. FHWA-MC-94-007, **BRIDGE FORMULA WEIGHTS**, dated January 1994, is made a part of this contract when applicable.

Prior to the preconstruction conference, the Contractor shall advise the Engineer, in writing, what materials, if any, will be delivered to the jobsite via Interstate route(s).

Copies of the **BRIDGE FORMULA WEIGHTS** publication may be obtained by contacting:

Federal Highway Administration  
400 7<sup>th</sup> Street, SW  
Washington, DC 20590  
(202) 366-2212

or

| [http://ops.fhwa.dot.gov/freight/sw/brdgcalc/calc\\_page.htm](http://ops.fhwa.dot.gov/freight/sw/brdgcalc/calc_page.htm)

## MISSISSIPPI DEPARTMENT OF TRANSPORTATION

| SECTION 904 - NOTICE TO BIDDERS NO. 2382

CODE: (IS)

| DATE: 02/12/2009

| SUBJECT: Status of Right-of-Way

Although it is desirable to have acquired all rights-of-way and completed all utility adjustments and work to be performed by others prior to receiving bids, sometimes it is not considered to be in the public interest to wait until each and every such clearance has been obtained. The bidder is hereby advised of possible unacquired rights-of-way, relocatees and utilities which have not been completed.

| The status of right-of-way acquisition, utility adjustments, encroachments, potentially contaminated sites and asbestos containation are set forth in the following attachments.

In the event right of entry is not available to ALL parcels of right-of-way and/or all work that is to be accomplished by others on the date set forth in the contract for the Notice to Proceed is not complete, the Department will issue a restricted Notice to Proceed.

**STATUS OF RIGHT-OF-WAY**

CM-0017-00(041)

106852-301000

Desoto County

All rights of way and legal rights of entry have been acquired **except:**

None.

ASBESTOS CONTAMINATION STATUS OF BUILDINGS  
TO BE REMOVED BY THE CONTRACTOR

CM-0017-00(041)  
106852-301000  
Desoto County  
August 17, 2015

Reference is made to notices to bidders entitled "Asbestos National Emission Standards for Hazardous Air Pollutants (NESHAP)" and "Removal of Obstructions".

The following pertinent information is furnished concerning asbestos containing materials (ACMs), if any, found in buildings to be removed by the Contractor.

There is no Right of Way required for this project. There are no buildings to be removed by the contractor.

STATUS OF POTENTIALLY CONTAMINATED SITES

CM-0017-00(041)

106852-301000

Desoto County

August 17, 2015

THERE IS NO RIGHT OF WAY REQUIRED FOR THIS PROJECT. NO INITIAL SITE ASSESSMENT WILL BE PERFORMED. IF CONTAMINATION ON EXISTING RIGHT OF WAY IS DISCOVERED, IT WILL BE HANDLED BY THE DEPARTMENT.

**ROW STATUS REPORT OF AFFECTED RAILROAD FACILITIES**

**PROJECT EXTERNAL NUMBER: CM-0017-00(041)**

**PROJECT FMS NUMBER: 106852/301000**

**TERMINI: Installation of fiber optic cable, signal controller/software upgrade, signal synchronization/optimization, data collection, message boards**

**COUNTY: DeSoto**

**DATE: September 17, 2015**

No right of way will be required from any railroad. See Notice to Bidders.

**ENCROACHMENT CERTIFICATION**

CM-0017-00(041)/106852301

Desoto County(ies)

August 13, 2015

This is to certify that the above captioned project has been inspected and no encroachments were found.



**UTILITY STATUS REPORT**

CM-0017-00(041)/106852301

Desoto County(ies)

August 14, 2015

This is to certify that the above captioned project has been inspected and there are no known utilities in conflict with the project.

**MISSISSIPPI DEPARTMENT OF TRANSPORTATION**

**SECTION 904 - NOTICE TO BIDDERS NO. 2418**

**CODE: (SP)**

**DATE: 02/19/2009**

**SUBJECT: Clearing and/or Grubbing**

All items resulting from clearing and/or grubbing operations shall be chipped on the project right-of-way and disposed of by placement in an approved landfill site, or as directed by the Engineer. Burning of these items **will not** be allowed.

**MISSISSIPPI DEPARTMENT OF TRANSPORTATION**

**SECTION 904 - NOTICE TO BIDDERS NO. 2818**

**CODE: (SP)**

**DATE: 10/01/2009**

**SUBJECT: Non-Quality Control / Quality Assurance Concrete**

Bidders are advised that the following pay items will not be accepted based on the Quality Control / Quality Assurance (QC/QA) requirements of Section 804 of the specifications. The acceptance of these pay items will be based on sampling and testing at the project site by MDOT forces. The Contractor is required to submit mix designs to accomplish this work in accordance with Section 804 and perform normal Quality Control functions at the concrete plant. Acceptance will be in accordance with the requirements of 907-601, Structural Concrete, and TMD-20-04-00-000. At the discretion of the Engineer, the Contractor may request that the concrete be accepted based on QC/QA requirements.

<u>Pay Item</u>	<u>Description</u>
221	Paved Ditches
601	Minor Structures - manholes, inlets, catch basins, junction boxes, pipe headwalls, and pipe collars.
606	Guardrail Anchors
607	Fence Post Footings
608	Sidewalks
609	Curb and Gutter
614	Driveways
616	Median and Island Pavement
630	Sign Footings, except Overhead Sign Supports

## MISSISSIPPI DEPARTMENT OF TRANSPORTATION

| SECTION 904 - NOTICE TO BIDDERS NO. 3067

CODE: (SP)

| DATE: 04/14/2010

**SUBJECT: Storm Water Discharge Associated with Construction Activity  
(≥ 1 and < 5 Acres)**

Construction Storm Water General NPDES Permit MSR 15 to discharge storm water associated with construction activity is required. This project is granted permission to discharge treated storm water into State waters. Copies of said permit and Storm Water Pollution Prevention Plan (SWPPP) are on file with the Department.

Prior to the execution of the contract, the successful bidder shall execute and deliver to the Executive Director an original signed copy of the completed Prime Contractor Certification (Form No. 1).

Failure of the bidder to execute and file the completed Prime Contractor Certification (Form No. 1) shall be just cause for the cancellation of the award.

The executed Prime Contractor Certification (Form No. 1) shall be prima facie evidence that the bidder has examined the permit, is satisfied as to the terms and conditions contained therein, and that the bidder has the primary responsibility for meeting all permit terms and conditions including, but not limited to, the inspection and reporting requirements of Part IV. For this project, the Contractor shall furnish, set up and read, as needed, an on-site rain gauge.

The Contractor must furnish the Project Engineer a completed copy of the Small Construction Notice of Intent (SCNOI) along with the Contractor's Erosion Control Plan.

| The Contractor shall make inspections in accordance with [condition No. S-4, Page 13](#), and shall furnish the Project Engineer with the results of each weekly inspection as soon as possible following the date of inspection. The weekly inspections must be documented monthly on the Inspection and Certification Form, [a copy of which is provided](#). The Contractor's representative and the Project Engineer shall jointly review and discuss the results of the inspections so that corrective action can be taken. The Project Engineer shall retain copies of the inspection reports.

The Engineer will have the authority to suspend all work and/or withhold payments for failure of the Contractor to carry out provisions of MDEQ's Storm Water Construction General Permit, the erosion control plan, updates to the erosion control plan, and /or proper maintenance of the BMPs.

Securing a permit (s) for storm water discharge associated with the Contractor's activity on any other regulated area the Contractor occupies, shall be the responsibility of the Contractor.

## MISSISSIPPI DEPARTMENT OF TRANSPORTATION

SECTION 904 - NOTICE TO BIDDERS NO. 3612

CODE: (SP)

DATE: 08/10/2011

SUBJECT: Additional Erosion Control Requirements

Bidders are hereby advised of the following requirements that relate to erosion control activities on the project.

**THE MAXIMUM TOTAL ACREAGE THAT CAN BE DISTURBED, AT ONE TIME, ON THE PROJECT IS NINETEEN (19) ACRES. THE CONTRACTOR SHALL BE REQUIRED TO STABILIZE DISTURBED AREAS PRIOR TO OPENING UP ADDITIONAL SECTIONS OF THE PROJECT. STABILIZED SHALL BE WHEN THE DISTURBED AREA MEETS ONE OF THE FOLLOWING CRITERIA:**

- **THE AREA HAS BEEN GRASSED, EITHER TEMPORARY OR PERMANENT, AND MULCHED ACCORDING TO THE SPECIFICATIONS, OR**
- **A CRUSHED STONE COURSE OR A LIFT OF ASPHALT PAVEMENT HAS BEEN PLACED, OR**
- **THE AREA HAS BEEN CHEMICALLY TREATED USING PORTLAND CEMENT OR LIME-FLY ASH, AND SEALED.**

**DISTURBED AREAS INCLUDE THE ROADBED, SLOPES AND REMAINING AREA OUT TO THE ROW LINE.**

**Clearing and Grubbing:** Prior to beginning any clearing and grubbing operations on the project, controls shall be in place to address areas such as drainage structures, wetlands, streams, steep slopes and any other sensitive areas as directed by the Engineer. Clearing and grubbing should be limited to the minimum area necessary to construct the project. Grubbing operations should be minimized in areas outside the construction limits and stumps should be cut off flush with the existing ground elevations. A buffer area of at least fifteen (15) feet shall be in place adjacent to the right-of-way line and at least five (5) feet adjacent to stream banks. The buffer area can either be the existing vegetation that is left undisturbed or re-established by planting new vegetation if clearing and grubbing was required.

**Unclassified Excavation:** Cut sections shall be graded in accordance with the typical sections and plan grades. Permanent erosion control BMP's should be placed as soon as possible after the cut material has been moved. Fill sections that are completed shall have permanent erosion control BMP's placed. Fill sections that are not completed will be either permanently or temporarily grassed until additional material is made available to complete these sections. All unclassified excavation on the project will still be required to be moved prior to incorporating any borrow excavation on the project. The contractor may have to stockpile unclassified excavation in order to comply with the nineteen (19) acre requirement. No additional compensation will be made for stockpiling operations.

Disturbed areas that remain inactive for a period of more than fourteen (14) days shall be temporary grassed and mulched. Temporary grassing and mulching shall only be paid one time for a given area.

## MISSISSIPPI DEPARTMENT OF TRANSPORTATION

**SECTION 904 - NOTICE TO BIDDERS NO. 3893**

**CODE: (SP)**

**DATE: 04/10/2012**

**SUBJECT: Petroleum Products Base Prices**

Bidders are advised that monthly petroleum products base prices will be available at the web site listed below. Current monthly prices will be posted to this web site on or before the 15<sup>th</sup> of each month. Bidders are advised to use the petroleum base prices on this web site when preparing their bids. The current monthly petroleum products base prices will be acknowledged by the Bidder and become part of the contract during the execution process.

Monthly Petroleum Products Base Prices can be viewed at:

<http://sp.gomdot.com/Contract%20Administration/BidSystems/Pages/letting%20calendar.aspx>

## MISSISSIPPI DEPARTMENT OF TRANSPORTATION

**SECTION 904 - NOTICE TO BIDDERS NO. 4214**

**CODE: (IS)**

**DATE: 11/29/2012**

**SUBJECT: Safety Apparel**

Bidders are advised that the Code of Federal Regulations CFR 23 Part 634 final rule was adopted November 24, 2006 with an effective date of November 24, 2008. This rule requires that "All workers within the right-of-way of a Federal-Aid Highway who are exposed either to traffic (vehicles using the highway for the purposes of travel) or to construction equipment within the work area shall wear high-visibility safety apparel". High-visibility safety apparel is defined in the CFR as "personnel protective safety clothing that is intended to provide conspicuity during both daytime and nighttime usage, and that meets the Performance Class 2 or 3 requirements of the ANSI/ISEA 107-2004 publication entitled American National Standard for High-Visibility Safety Apparel and Headwear". All workers on Mississippi State Highway right-of-way shall comply with this Federal Regulation. Workers are defined by the CFR as "people on foot whose duties place them within the right-of way of a Federal-Aid Highway, such as highway construction and maintenance forces, survey crews, utility crews, responders to incidents within the highway right-of-way, and law enforcement personnel when directing traffic, investigating crashes, and handling lane closures, obstructed roadways, and disasters within the right-of-way of a Federal-Aid Highway".

More information regarding high visibility safety apparel can be found at the following sites.

<http://www.gpo.gov/fdsys/pkg/CFR-2008-title23-vol1/pdf/CFR-2008-title23-vol1-sec634-1.pdf>

<http://ops.fhwa.dot.gov/wz/resources/policy.htm#hv>

**MISSISSIPPI DEPARTMENT OF TRANSPORTATION**

**SECTION 904- NOTICE TO BIDDERS NO. 4473**

**CODE: (SP)**

**DATE: 04/08/2013**

**SUBJECT: Alternate Crushed Stone Base Bid Items**

Bidders are advised that the Crushed Stone Base used on this project will be bid as an alternate pay item: ¾-inch and Down Crushed Stone Base, Size 825B Crushed Stone Base, or Size 610 Crushed Stone Base. Bidders must select one of the alternates at the time of bid. **The Contractor must use the selected crushed stone base throughout the entire project.**



**MISSISSIPPI DEPARTMENT OF TRANSPORTATION**

**SECTION 904 - NOTICE TO BIDDERS NO. 4526**

**CODE: (SP)**

**DATE: 06/11/2013**

**SUBJECT: Electronic Addendum Process**

Bidders are advised that hard copies of any addenda for this project will no longer be mailed to prospective bidders. All addenda for this project will be posted to the [mdot.ms.gov](http://mdot.ms.gov) webpage under the Proposal Addenda column for the current letting and appropriate call number. Bidders will have to download addenda from the webpage and process the addenda in the same manner as previous lettings. Addenda will be posted by 10:00 a.m. on Friday prior to the letting. It will be the Bidder's responsibility to check and see if any addenda have been posted for this project. Any questions regarding the downloading process of the addenda shall be directed to the Contract Administration Division at 601-359-7700. Any questions regarding the content of the addenda shall be submitted as a question in accordance with the Notice To Bidders entitled "Questions Regarding Bidding".

**MISSISSIPPI DEPARTMENT OF TRANSPORTATION**

**SECTION 904 - NOTICE TO BIDDERS NO. 4565**

**CODE: (SP)**

**DATE: 06/27/2013**

**SUBJECT: Manual on Uniform Traffic Control Devices**

Any reference in the Standard Specifications or contract documents to a particular Section of the Manual on Uniform Traffic Control Devices (MUTCD) it shall mean that Section of the latest version of the Manual on Uniform Traffic Control Devices.

## MISSISSIPPI DEPARTMENT OF TRANSPORTATION

| SECTION 904 - NOTICE TO BIDDERS NO. 4661

CODE: (IS)

| DATE: 10/16/2013

**SUBJECT: Payroll Requirements**

Bidders are hereby advised that the Contractor and Subcontractor(s) are required to submit payroll information to the Project Engineers on a weekly basis.

On Federal-Aid Projects, CAD-880, CAD-881 and certified payroll submissions are required each week the Contractor or a Subcontractor performs work on the project. This is addressed in Section IV of Form FHWA-1273.

On State-Funded Projects, CAD-880 is required each week the Contractor or a Subcontractor performs work on the project.

| When no work is performed on either Federal-Aid or State-Funded Projects, the Contractor should only submit CAD-880 showing no work activities.

The Contractor shall make all efforts necessary to submit this information to the Project Engineer in a timely manner. The Engineer will have the authority to suspend the work wholly or in part and to withhold payments because of the Contractor's failure to submit the required information. Submission of forms and payrolls shall be current through the first full week of the month for the estimate period in order for the Project Engineer to process an estimate.

Bidders are advised to review the requirements regarding payroll submissions in Section 110 of the Standard Specifications.

## MISSISSIPPI DEPARTMENT OF TRANSPORTATION

**SECTION 904 - NOTICE TO BIDDERS NO. 4740**

**CODE: (SP)**

**DATE: 12/03/2013**

**SUBJECT: Illinois Central Railroad Construction Requirements**

Bidders are hereby advised that provisions which are required as per the Notice to Bidders entitled "Railway-Highway Provisions" shall also include the following.

The Contractor shall submit to the Project Engineer and the Railroad detailed plans and design data for temporary construction clearances, stages of construction, erection plans, demolition plans, false-work plans, excavation plans, and temporary shoring plans and calculations, as required, and shall be sealed by a Mississippi Registered Professional Engineer. All submittals must be approved by the Railroad before excavation or construction can begin within Railroad Right-of-Way. All construction submittals for work performed within the Illinois Central Railroad (ICRR) right-of-way shall be made per the current ICRR design guidelines.

Prior to beginning any work on the ICRR right-of-way, the Contractor shall obtain a Right of Entry License Agreement and submit a Request for Flagging Services. To request said documents, the Contractor should contact John Dinning. Mr. Dinning's contact information is as follows.

John W. Dinning  
Manager Engineering Services  
Canadian National/Illinois Central Railroad  
P.O. Box 2600  
Jackson, MS 39207

The Contractor shall be responsible for payment of all application fees.

This project will require construction activities on the right-of-way of active railroad tracks which are currently owned and/or operated by ICRR. When work requires that equipment or personnel be within the ICRR right-of-way or the "foul zone" adjacent to the right-of-way, a qualified "Employee-in-Charge" (EIC) must be present for the purpose of providing on-track safety and flagging protection for the work crews. The EIC shall also be responsible for the coordination of the Contractor's activities within the ICRR right-of-way with the operation of the Railroad. The EIC must be approved by the local ICRR Roadmaster prior to beginning work on the ICRR right-of-way. The Contractor will be required to provide radios for the EIC, all equipment operators, supervisors, and foremen in charge of employees working within the ICRR right-of-way. All personnel who must enter upon the ICRR right-of-way must check in and out with the EIC and be logged in and out of the site.

All personnel who must work within the ICRR right-of-way at any time shall be trained and certified as a ICRR "Roadway Worker" and must at all times have their certification card

with them and available for random inspection. The Contractor will be responsible for providing this training for Contractor employees or any subcontractor(s) employees. The Contractor shall contact [www.contractororientation.com](http://www.contractororientation.com) for approximate fees and scheduling the necessary training sessions. The Contractor shall also contact the MDOT Project Engineer to see if any MDOT employees need this training. If so, the Contractor shall include the MDOT employees in the list of participants for training. The Contractor shall bear the cost of training the MDOT employees. Costs for training the MDOT employees will be reimbursed to the Contractor by supplemental agreement.

Prior to commencing work, the Contractor shall provide to the Railroad Engineer, or the Railroad Engineer's designated representative, a detailed construction schedule for its work on Railroad's right-of-way, including the proposed temporary horizontal and vertical clearances and construction sequence for all work to be performed on Railroad right-of-way. This schedule shall also include the anticipated dates when the milestone events listed below will occur. The Contractor shall update the schedule for these milestone events as necessary, but at least monthly, and shall provide a copy of all updates to the Railroad so that site visits may be scheduled.

- Preconstruction meetings.
- Excavations, shoring placement/removal, pile driving, drilling of caissons or drilled shafts adjacent to tracks.
- Reinforcement and concrete placement for near track piers.
- Erection of precast concrete or steel overpass bridge superstructure.
- Reinforcement and concrete placement of overpass bridge decks.
- Completion of the bridge structure.

The Contractor shall so arrange and conduct construction operations in such a manner that there will be no interference with Railroad operations, including train, signal, telephone and telegraphic services, or damage to the property of the Railroad or to poles, cables or wires (whether overhead or underground) and other facilities or tenants on the rights-of-way of the Railroad. Before undertaking any work within Railroad right-of-way and before placing any obstruction over any track, the Contractor shall:

- Notify the Railroad's representative at least 72 hours in advance of the work.
- Provide assurance to the Railroad's representative that arrangements have been made for any required flagging service.
- Receive permission from the Railroad Engineer to proceed with the work.
- Ascertain that the Project Engineer has received copies of notice to the Railroad and the Railroad's response.

## MISSISSIPPI DEPARTMENT OF TRANSPORTATION

| SECTION 904 - NOTICE TO BIDDERS NO. 5044

CODE: (SP)

| DATE: 05/13/2014

SUBJECT: Questions Regarding Bidding

Bidders are advised that all questions that arise regarding the contract documents (proposal) or plans on this project shall be directed to the [www.gomdot.com](http://www.gomdot.com) current letting webpage. Click on the call number for this project to open an email form to submit your question. Questions must be submitted by 8:00 a.m. on **the day** prior to the letting. Answers to questions will be posted by 6:00 p.m. on **the day** prior to the letting. Answers can be viewed by clicking on Q&A link under the Proposal Addenda column.

It shall be the Bidders responsibility to familiarize themselves with the questions and answers that have been submitted on this project. Bidders are advised that by signing the contract documents for this project, they agree that the on-line Questions and Answers submitted on this project shall be added to and made part of the official contract.

**MISSISSIPPI DEPARTMENT OF TRANSPORTATION**

**SECTION 904 - NOTICE TO BIDDERS NO. 5053**

**CODE: (SP)**

**DATE: 06/03/2014**

**SUBJECT: Contractor Correspondence**

Bidders are advised that all correspondence concerning this project, other than correspondence related to the execution of the contract and sub-contracting, shall be sent to the Project Engineer. The Project Engineer will then forward any necessary correspondence to the appropriate Division. This includes general correspondence, submittals, shop drawings, requests for advancement of materials, etc.

## MISSISSIPPI DEPARTMENT OF TRANSPORTATION

SECTION 904 - NOTICE TO BIDDERS NO. 5252

CODE: (SP)

DATE: 10/24/2014

SUBJECT: Terminal End Sections

Guard rail terminal end sections shall be construction in accordance with the plans, specifications, and the following:

### **Flared.**

Flared terminal end sections shall be FLEAT-350, REGENT, SRT-350, ROSS-350 or approved flared equal and installed in accordance with the manufacturer's recommendation. Prior to installation, the Contractor shall provide two copies of the manufacturer's installation details to the Project Engineer. The Project Engineer will keep one copy in the project file and provide one copy to the District Maintenance Engineer. The installation details shall be engineering drawings, a minimum of 11" X 17" in size. Reflective adhesive sheeting with alternating black and yellow stripes (sloping downward at an angle of 45 degrees in the direction traffic is to pass) shall be required on the end of the terminal section. The type of terminal section installed shall be written on the device with a Permanent Marking Stick or some other means of permanent identification.

### **Non-Flared.**

Non-Flared terminal end sections shall be ET-2000, SKT-350, or approved non-flared equal (except ET-Plus) and shall be installed in accordance with the manufacturer's recommendation. Prior to installation, the Contractor shall provide two copies of the manufacturer's installation details to the Project Engineer. The Project Engineer will keep one copy in the project file and provide one copy to the District Maintenance Engineer. The installation details shall be engineering drawings, a minimum of 11" X 17" in size. Reflective adhesive sheeting with alternating black and yellow stripes (sloping downward at an angle of 45 degrees in the direction traffic is to pass) shall be required on the end of the terminal section. The type of terminal section installed shall be written on the device with a Permanent Marking Stick or some other means of permanent identification.

Likewise, impact attenuators shall be construction in accordance with the plans, specifications, and the following.

Approved impact attenuator systems shall meet standardized testing defined in Manual for Assessing Safety Hardware (MASH) or NCHRP Report 350. In addition, these devices shall have an acceptance letter from FHWA that documents the device meets the appropriate crash test criteria and can be used on the National Highway System (NHS). Prior to installation, the Contractor shall provide two copies of the manufacturer's installation details to the Project Engineer. The Project Engineer shall keep one copy in project file and provide one copy to District Maintenance Engineer. The installation details shall be engineering drawings, a minimum of 11"x17" in size. Reflective adhesive sheeting with alternating black and yellow stripes (sloping downward at an angle of 45 degrees in the direction traffic is to pass) shall be required on the end of the attenuator section. The type of system installed shall be written on the device with a Permanent Marking Stick or some other means of permanent identification.



# MISSISSIPPI DEPARTMENT OF TRANSPORTATION

## SUPPLEMENT TO NOTICE TO BIDDERS NO. 5266

**DATE:**        **07/01/2015**

The goal is 2 percent for the Disadvantaged Business Enterprise. The low bidder is required to submit Form OCR-481 for all DBEs. Bidders are advised to check the bid tabulation link for this project on the MDOT website at:

<http://sp.gomdot.com/Contract%20Administration/BidSystems/Pages/letting%20calendar.aspx>

Bid tabulations are usually posted by 3:00 pm on Letting Day.

Delete subparagraph (3) under AWARD on page 7, and substitute the following.

(3) Bidder must submit an OCR-485 listing all firms that submitted quotes for material supplies or items to be subcontracted. Please make and add copies of this form when needed or attach additional sheets containing the information required by the form and add these sheets to the bid proposal. Form OCR-485 must be submitted with the bid proposal. If at least one copy of this form is not included as part of bid proposal, your bid will be deemed irregular.

Delete subparagraph (5) under DBE REPORTS on page 8, and substitute the following.

(5) OCR-485: Bidder must submit **form with bid proposal** of all firms that submitted quotes for material supplies or items to be subcontracted. Please make and add copies of this form when needed or attach additional sheets containing the information required by the form and add these sheets to the bid proposal. If at least one copy of this form is not included as part of the bid proposal, your bid will be deemed irregular.

## MISSISSIPPI DEPARTMENT OF TRANSPORTATION

| SECTION 904 - NOTICE TO BIDDERS NO. 5266

CODE: (IS)

| DATE: 11/12/2014

**SUBJECT: DISADVANTAGED BUSINESS ENTERPRISES IN FEDERAL-AID HIGHWAY CONSTRUCTION**

This contract is subject to the "Moving Ahead for Progress in the 21<sup>st</sup> Century Act (MAP-21)" and applicable requirements of "Part 26, Title 49, Code of Federal Regulations". Portions of the Act are set forth in this Notice as applicable to compliance by the Contractor and all of the Act, and the MDOT DBE Program, is incorporated by reference herein.

The Department has developed a Disadvantaged Business Enterprise Program that is applicable to this contract and is made a part thereof by reference.

Copies of the program may be obtained from:

Office of Civil Rights  
Mississippi Department of Transportation  
P. O. Box 1850  
Jackson, Mississippi 39215-1850

### **POLICY**

It is the policy of the Mississippi Department of Transportation to provide a level playing field, to foster equal opportunity in all federally assisted contracts, to improve the flexibility of the DBE Program, to reduce the burdens on small businesses, and to achieve that amount of participation that would be obtained in a non-discriminatory market place. In doing so, it is the policy of MDOT that there will be no discrimination in the award and performance of federally assisted contracts on the basis of race, color, sex, age, religion, national origin, or any handicap.

### **ASSURANCES THAT CONTRACTORS MUST TAKE**

MDOT will require that each contract which MDOT signs with a sub-recipient or a Contractor, and each subcontract the Prime Contractor signs with a Subcontractor, includes the following assurances:

“The Contractor, subrecipient or Subcontractor shall not discriminate on the basis of race, color, national origin, or sex in the performance of this contract. The Contractor shall carry out applicable requirements of 49 CFR 26 in the award and administration of federally assisted contracts. Failure by the Contractor to carry out these requirements is a material breach of this contract, which may result in the termination of this contract or such other remedy as MDOT deems appropriate.”

**DEFINITIONS**

For purposes of this provision the following definitions will apply:

"Disadvantaged Business" means a small business concern: (a) which is at least 51 percent owned by one or more socially and economically disadvantaged individual(s) or in the case of any publicly owned business, at least 51 percent of the stock of which is owned by one or more socially and economically disadvantaged individual(s); and (b) whose management and daily business operations are controlled by one or more of the socially and economically disadvantaged individual(s) who own it. It is important to note that the business owners themselves must control the operations of the business. Absentee ownership or title ownership by an individual who does not take an active role in controlling the business is not consistent with eligibility as a DBE under CFR 49 Part 26.71.

**CONTRACTOR'S OBLIGATION**

The Contractor and all Subcontractors shall take all necessary and reasonable steps to ensure that DBE firms can compete for and participate in the performance of a portion of the work in this contract and shall not discriminate on the basis of race, color, national origin, religion or sex. Failure on the part of the Contractor to carry out the DBE requirements of this contract constitutes a breach of contract and after proper notification the Department may terminate the contract or take other appropriate action as determined by the Department.

When a contract requires a zero percent (0%) DBE goal, the Contractor still has the responsibility to take all necessary and reasonable steps to ensure that DBE firms can compete for and participate in the performance of the work in the contract. In this case, all work performed by a certified DBE firm is considered to be a "race neutral" measure and the Department will receive DBE credit towards the overall State goals when the DBE firm is paid for their work. If the Prime Contractor is a certified DBE firm, the Department can receive DBE credit only for the work performed by the Prime Contractor's work force or any work subcontracted to another DBE firm. Work performance by a non-DBE Subcontractor is not eligible for DBE credit.

**CONTRACT GOAL**

The goal for participation by DBEs is established for this contract in the attached Supplement. The Contractor shall exercise all necessary and reasonable steps to ensure that participation is equal to or exceeds the contract goal.

The percentage of the contract that is proposed for DBEs (1% or greater) shall be so stated on the last bid sheet of the proposal.

The apparent lowest responsive bidder shall submit to the Office of Civil Rights Form OCR-481, signed by the Prime Contractor and the DBE Subcontractors, no later than the 3<sup>rd</sup> business day after opening of the bids.

Form OCR-481 is available on the MDOT website at GoMDOT.com, then Divisions, Civil Rights, Forms, DBE, MDOT Projects, or by calling 601-359-7466.

FORMS ARE AVAILABLE FROM THE OFFICE OF CIVIL RIGHTS

The OCR-481 Form must contain the following information:

The name and address of each certified DBE Contractor / Supplier;

The Reference Number, percent of work and the dollar amount of each item. If a portion of an item is subcontracted, a breakdown of that item including quantities and unit price must be attached, detailing what part of the item the DBE firm is to perform and who will perform the remainder of the item.

If the DBE Commitment shown on the last bid sheet of the proposal, does not equal or exceed the contract goal, the bidder must submit, with the proposal, information to satisfy the Department that adequate good faith efforts have been made to meet the contract goal.

Failure of the lowest bidder to furnish acceptable proof of good faith efforts, submitted with the bid proposal, shall be just cause for rejection of the proposal. Award may then be made to the next lowest responsive bidder or the work may be readvertised.

The following factors are illustrative of matters the Department will consider in judging whether or not the bidder has made adequate good faith effort to satisfy the contract goal.

- (1) Whether the bidder attended the pre-bid meeting that was scheduled by the Department to inform DBEs of subcontracting opportunities;
- (2) Whether the bidder advertised in general circulation, trade association, and minority-focus media concerning the subcontracting opportunities;
- (3) Whether the bidder provided written notice to a reasonable number of specific DBEs that their interest in the contract is being solicited;
- (4) Whether the bidder followed up initial solicitations of interest by contacting DBEs to determine with certainty whether they were interested;
- (5) Whether the bidder selected portions of the work to be performed by DBEs in order to increase the likelihood of meeting the contract goal;
- (6) Whether the bidder provided interested DBEs with adequate information about the plans, specifications and requirements of the contract;
- (7) Whether the bidder negotiated in good faith with interested DBEs and did not reject them as unqualified without sound reasons based on a thorough investigation of their capabilities; and

- (8) Whether the bidder made efforts to assist interested DBEs in obtaining any required bonding or insurance.
- (9) Whether the bidder has written notification to certified DBE Contractors soliciting subcontracting for items of work in the contract.
- (10) Whether the bidder has a statement of why an agreement was not reached.

The bidder's execution of the signature portion of the proposal shall constitute execution of the following assurance:

The bidder hereby gives assurance pursuant to the applicable requirements of "Moving Ahead for Progress in the 21<sup>st</sup> Century Act (MAP-21)" and applicable requirements of "Part 26, Title 49, Code of Federal Regulations" that the bidder has made a good faith effort to meet the contract goal for DBE participation for which this proposal is submitted.

### **DIRECTORY**

A list of "Certified DBE Contractors" which have been certified as such by the Mississippi Department of Transportation and other Unified Certification Partners (UPC) can be found on the Mississippi Department of Transportation website at [www.gomdot.com](http://www.gomdot.com). The DBE firm must be certified at the time the project is let and approved by MDOT to count towards meeting the DBE goal.

### **REPLACEMENT**

If a DBE Subcontractor cannot perform satisfactorily, and this causes the OCR-481 commitment to fall below the contract goal, the Contractor shall take all necessary reasonable steps to replace the DBE with another certified DBE Subcontractor or submit information to satisfy the Mississippi Department of Transportation that adequate good faith efforts have been made to replace the DBE. The replacement DBE must be a DBE who was on the Department's list of "Certified DBE Contractors" when the job was let, and who is still active. All DBE replacements must be approved by the Department.

Under no circumstances shall the Prime or any Subcontractor perform the DBE's work (as shown on the OCR-481) without prior written approval from the Department. See "Sanctions" at the end of this document for penalties for performing DBE's work.

When a Contractor proposes to substitute/replace/terminate a DBE that was originally named on the OCR-481, the Contractor must obtain a release, in writing, from the named DBE explaining why the DBE Subcontractor cannot perform the work. A copy of the original DBE's release must be attached to the Contractor's written request to substitute/replace/terminate along with appropriate Subcontract Forms for the substitute/replacement/terminated Subcontractor, all of which must be submitted to the DBE Coordinator and approved, in advance, by MDOT.

**GOOD FAITH EFFORTS**

To demonstrate good faith efforts to replace any DBE that is unable to perform successfully, the Contractor must document steps taken to subcontract with another certified DBE Contractor. Such documentation shall include no less than the following:

- (1) Proof of written notification to certified DBE Contractors by certified mail that their interest is solicited in subcontracting the work defaulted by the previous DBE or in subcontracting other items of work in the contract.
- (2) If the Prime Contractor is a certified DBE firm, only the value of the work actually performed by the DBE Prime can be counted towards the project goal, along with any work subcontracted to a certified DBE firm.
- (3) If the Contractor is not a DBE, the work subcontracted to a certified DBE Contractor will be counted toward the goal.
- (4) The Contractor may count toward the goal a portion of the total dollar value of a contract with a joint venture eligible under the standards of this provision equal to the percentage of the DBE partner in the joint venture.
- (5) Expenditures to DBEs that perform a commercially useful function may be counted toward the goal. A business is considered to perform a commercially useful function when it is responsible for the execution of a distinct element of the work and carries out its responsibilities by actually performing, managing, and supervising the work involved.
- (6) The Contractor may count 100% of the expenditures for materials and supplies obtained from certified DBE suppliers and manufacturers that produce goods from raw materials or substantially alters them for resale provided the suppliers and manufacturers assume the actual and contractual responsibility for the provision of the materials and supplies. The Contractor may count sixty percent (60%) of the expenditures to suppliers that are not manufacturers, provided the supplier performs a commercially useful function in the supply process. Within 30 days after receipt of the materials, the Contractor shall furnish to the DBE Coordinator invoices from the certified supplier to verify the DBE goal.
- (7) Any work that a certified DBE firm subcontracts or sub-subcontracts to a non-DBE firm will not count towards the DBE goal.
- (8) Only the dollars actually paid to the DBE firm may be counted towards the DBE goal.

Failure of the Contractor to demonstrate good faith efforts to replace a DBE Subcontractor that cannot perform as intended with another DBE Subcontractor, when required, shall be a breach of contract and may be just cause to be disqualified from further bidding for a period of up to 12 months after notification by certified mail.

### **PRE-BID MEETING**

A pre-bid meeting will be held in Amphitheater 1 & 2 of the Hilton Jackson located at I-55 and County Line Road, Jackson, Mississippi at 2:00 P.M. on the day preceding the date of the bid opening.

This meeting is to inform DBE firms of subcontracting and material supply opportunities. Attendance at this meeting is considered of prime importance in demonstrating good faith effort to meet the contract goal.

### **PARTICIPATION / DBE CREDIT**

Participation shall be counted toward meeting the goal in this contract as follows:

- (1) If the Prime Contractor is a certified DBE firm, only the value of the work actually performed by the DBE Prime can be counted towards the project goal, along with any work subcontracted to a certified DBE firm.
- (2) If the Contractor is not a DBE, the work subcontracted to a certified DBE Contractor will be counted toward the goal.
- (3) The Contractor may count toward the goal a portion of the total dollar value of a contract with a joint venture eligible under the standards of this provision equal to the percentage of the DBE partner in the joint venture.
- (4) Expenditures to DBEs that perform a commercially useful function may be counted toward the goal. A business is considered to perform a commercially useful function when it is responsible for the execution of a distinct element of the work and carries out its responsibilities by actually performing, managing, and supervising the work involved.
- (5) The Contractor may count 100% of the expenditures for materials and supplies obtained from certified DBE suppliers and manufacturers that produce goods from raw materials or substantially alters them for resale provided the suppliers and manufacturers assume the actual and contractual responsibility for the provision of the materials and supplies. The Contractor may count sixty percent (60%) of the expenditures to suppliers that are not manufacturers, provided the supplier performs a commercially useful function in the supply process. Within 30 days after receipt of the materials, the Contractor shall furnish to the DBE Coordinator invoices from the certified supplier to verify the DBE goal.
- (6) Any work that a certified DBE firm subcontracts or sub-subcontracts to a non-DBE firm will not count towards the DBE goal.
- (7) Only the dollars actually paid to the DBE firm may be counted towards the DBE goal.

**AWARD**

Award of this contract to the low bidder will be contingent upon the following conditions:

- (1) Concurrence from Federal Highway Administration, when applicable.
- (2) Bidder must submit to the Office of Civil Rights for approval, Form OCR-481 (DBE Commitment) no later than the 3<sup>rd</sup> business day after opening of the bids, or submit information with the bid proposal to satisfy the Department and that adequate good faith efforts have been made to meet the contract goal. For answers to questions regarding Form OCR-481, contact the MDOT Office of Civil Rights at (601) 359-7466.
- (3) Bidder must submit an OCR-485 listing all firms that submitted quotes for material supplies or items to be subcontracted. Please make and add copies of this form when needed or attach additional sheets containing the information required by the form and add these sheets to the bid proposal. Form OCR-485 must be signed and submitted with the bid proposal. If at least one copy of this form is not signed and included as part of bid proposal, your bid will be deemed irregular.

Prior to the start of any work, the bidder must notify the Project Engineer, in writing, of the name of the designated "DBE Liaison Officer" for this project. This notification must be posted on the bulletin board at the project site.

**DEFAULT**

The contract goal established by MDOT in this proposal of 1% or greater must be met to fulfill the terms of the contract. The Contractor may list DBE Subcontractors and items that exceed MDOT's contract goal, but should unforeseen problems arise that would prevent a DBE from completing its total commitment percentage, the Contractor will meet the terms of the contract as long as it meets or exceeds MDOT's Contract Goal. For additional information, refer to "Replacement" section of this Notice.

**DBE REPORTS**

- (1) OCR-481: Refer to "CONTRACT GOAL" section of this Notice to Bidders for information regarding this form.
- (2) OCR-482: At the conclusion of the project the Contractor will submit to the Project Engineer for verification of quantities and further handling Form OCR-482 whereby the Contractor certifies to the amounts of payments made to each Contractor / Supplier. The Project Engineer shall submit the completed Form OCR-482 to the DBE Coordinator (Office of Civil Rights). Final acceptance of the project is dependent upon Contract Administration Division's receipt of completed Form OCR-482 which they will receive from the Office of Civil Rights.
- (3) OCR-483: The Project Engineer/Inspector will complete Form OCR-483, the Commercially Useful Function (CUF) Performance Report, in accordance with MDOT



S.O.P. No. OCR-03-09-01-483. Evaluations reported on this form are used to determine whether or not the DBE firm is performing a CUF. The Prime Contractor should take corrective action when the report contains any negative evaluations. DBE credit may be disallowed and/or other sanctions imposed if it is determined the DBE firm is not performing a CUF. This form should also be completed and returned to the DBE Coordinator (Office of Civil Rights).

- (4) OCR-484: Each month, the Contractor will submit to the Project Engineer OCR-484 certifying payments to all Subcontractors. This OCR-484 will be attached to the monthly estimate for further processing. Failure of the Contractor to submit the OCR-484 will result in the estimate not being processed or paid.
- (5) OCR-485: Bidder must submit signed form with bid proposal of all firms that submitted quotes for material supplies or items to be subcontracted. Please make and add copies of this form when needed or attach additional sheets containing the information required by the form and add these sheets to the bid proposal. If at least one copy of this form is not signed and included as part of bid proposal, your bid will be deemed irregular.
- (6) OCR-487: Only used by Prime Contractors that are certified DBE firms. This form is used in determining the exact percentage of DBE credit for the specified project. It should be returned to MDOT with the OCR-481 form, or can also be returned with the Permission to Subcontract Forms (CAD-720, CAD-725 and CAD-521).

**SANCTIONS**

The Department has the option to enforce any of the following penalties for failure of the Prime Contractor to fulfill the DBE goal as stated on the OCR-481 form or any violations of the DBE program guidelines:

- (1) Disallow credit towards the DBE goal
- (2) Withhold progress estimate payments
- (3) Deduct from the final estimate or recover an amount equal to the unmet portion of the DBE goal which may include additional monetary penalties as outlined below based on the number of offenses and the severity of the violation as determined by MDOT.
 

1 <sup>st</sup> Offense	10% of unmet portion of goal	or	\$5,000 lump sum payment	or	Both
2 <sup>nd</sup> Offense	20% of unmet portion of goal	or	\$10,000 lump sum payment	or	Both
3 <sup>rd</sup> Offense	40% of unmet portion of goal	or	\$20,000 lump sum payment	or	\$20,000 lump sum payment and debarment
- (4) Debar the Contractor involved from bidding on Mississippi Department of Transportation projects.

## MISSISSIPPI DEPARTMENT OF TRANSPORTATION

SECTION 904 - NOTICE TO BIDDERS NO. 5405

CODE: (SP)

DATE: 02/11/2015

SUBJECT: Traffic Control Devices

Bidders are advised of the following two changes regarding traffic control devices.

### **Flashing Arrow Panels**

In Subsection 619.02.5 of the Standard Specifications, it states that flashing arrow panels shall meet the requirements of Section 6F.53 of the MUTCD. The new MUTCD has changed this reference to Section 6F.61. Flashing arrow panels on this project must meet the requirements of Section 6F.61 of the latest MUTCD.

### **Type III Barricade Rails**

The use of 2-inch nominal thickness timber for rails on Type III barricades has not been approved by NCHRP as a crashworthy device. Therefore, the use of 2-inch nominal thickness timbers will not be allowed for rails on Type III Barricades. Timber rails for Type III Barricades shall be as follows.

- For barricades up to four feet (4') wide, the maximum thickness of timber rails shall be one inch (1") and the material shall be pine timber or 3/4-inch ACX plywood.
- For barricades more than four feet (4') wide, timber rails shall be constructed of 3/4-inch ACX plywood.

A list of crashworthy Type III Barricades can be found at the below FHWA website.

[http://safety.fhwa.dot.gov/roadway\\_dept/policy\\_guide/road\\_hardware/wzd/](http://safety.fhwa.dot.gov/roadway_dept/policy_guide/road_hardware/wzd/)

**MISSISSIPPI DEPARTMENT OF TRANSPORTATION**

**SECTION 904 - NOTICE TO BIDDERS NO. 5412**

**CODE: (SP)**

**DATE: 02/18/2015**

**SUBJECT: Weight Limits**

Bidders are hereby advised that all trucks hauling materials to and from this project shall comply with the legal weight limits as established by law. MDOT will not compensate the Contractor for any portion of a load delivered to the project in excess of the legal limit for that truck.

Vehicles relying on harvest permits are limited to hauling only those materials set forth in Section 27-19-81(4) of the Mississippi Code, as amended.

**MISSISSIPPI DEPARTMENT OF TRANSPORTATION**

**SECTION 904 - NOTICE TO BIDDERS NO. 5545**

**CODE: (SP)**

**DATE: 05/19/2015**

**SUBJECT: Burn-in Period**

Bidders are advised that the contract time for this project has included the time required for the burn-in period for all electrical equipment on this project.

**MISSISSIPPI DEPARTMENT OF TRANSPORTATION**

**SECTION 904 - NOTICE TO BIDDERS NO. 5556**

**CODE: (SP)**

**DATE: 05/27/2015**

**SUBJECT: DUNS Requirement for Federal Funded Projects**

Bidders are advised that the Prime Contractor must maintain current registrations in the [System for Award Management](http://www.sam.gov) ( <http://www.sam.gov> ) at all times during this project. A Dun and Bradstreet Data Universal Numbering System (DUNS) Number ( <http://www.dnb.com> ) is one of the requirements for registration in the [System for Award Management](http://www.sam.gov).

Bidders are also advised that [prior to the award of this contract, they MUST be registered in the System for Award Management.](http://www.sam.gov)

**MISSISSIPPI DEPARTMENT OF TRANSPORTATION**

**SECTION 904 - NOTICE TO BIDDERS NO. 5679**

**CODE: (SP)**

**DATE: 06/17/2015**

**SUBJECT: Bidding Methods**

Bidders are advised that MDOT will allow bidding on construction projects to be performed using two methods. Paper Bids will be accepted by MDOT using Trns•port Expedite Bid or online Electronic Bids will be accepted through Bid Express Service. Bidders are advised that Subsection 907-102.06 of Special Provision No. 907-102 entitled “Bidding Requirements and Conditions” addresses in detail the requirements and conditions for bidding using these two methods. Bidders are advised to familiarize themselves with the information in Subsection 907-102.06 prior to preparing their bid.

## MISSISSIPPI DEPARTMENT OF TRANSPORTATION

SECTION 904 - NOTICE TO BIDDERS NO. 5685

CODE: (SP)

DATE: 07/01/2015

SUBJECT: DBE Forms, Participation and Payment

Bidders are hereby advised that the participation of a DBE Firm can not be counted towards the Prime Contractor's DBE goal until the amount being counted towards the goal has been paid to the DBE.

Form OCR-482 has been developed to comply with this requirement. Bidders are hereby advised that at the end of the job, the Prime Contractor will submit this form to the Project Engineer before the final estimate is paid and the project is closed out. This form certifies payments to all DBE Subcontractors over the life of the contract.

Form OCR-484 has also been developed to comply with this requirement. Bidders are hereby advised that each month, the Prime Contractors will submit this form to the Project Engineer no later than the last day of each month. This form certifies payments to all Subcontractors and shows all firms even if the Prime Contractor has paid no monies to the firm during that estimate period (negative report). The Project Engineer will attach this form to the monthly estimate before forwarding the estimate to the Contract Administration Division for processing.

Bidders are also advised that Form OCR-485 will be completed by **ALL BIDDERS** submitting a bid proposal and **must be included in the bid proposal package**. If at least one copy of this form is not included as part of bid proposal, your bid will be deemed irregular.

DBE Forms, including Forms OCR-482, OCR-484 and OCR-485, can be obtained from the Office of Civil Rights Division, MDOT Administration Building, 401 North West Street, Jackson, MS, or at [www.gomdot.com](http://www.gomdot.com) under *Business, Disadvantaged Enterprise, Applications and Forms for the DBE Program, MDOT Forms*.

**MISSISSIPPI DEPARTMENT OF TRANSPORTATION**

**SECTION 904 - NOTICE TO BIDDERS NO. 5824**

**CODE: (SP)**

**DATE: 09/10/2015**

**SUBJECT: Adjustments for Bituminous Materials**

Bidders are advised that Subsection 907-402.03.1.2, Tack Coat, in Special Provision 907-402, allows the Contractor several options for OGFC tack coat. Regardless of the tack coat used, the monthly material adjustment, as referenced in Section 109 of the Standard Specifications, will be made using the base and current prices of tack coat Grade PG 76-22.

Bidders are also advised that the specifications allow the use of RC-70, RC-250, RC-800, RS-1, RS-2, MC-30, MC-250, MS-2h, CMS-2h, LD-7, CQS-1h, ETAC-H, and NTSS-1HM in various other construction operations. If the Contractor uses one of these bituminous materials, the monthly material adjustment will be made using the base and current prices of the materials shown below.

<b>Materials Used</b>	<b>Material Adjustment Made Based on Prices For</b>
RC-70, 250, 800	MC-70
RS-1, 2	CRS-2
MC-30, 250	MC-70
MS-2h, CMS-2h	SS-1
LD-7, CQS-1h, ETAC-H, NTSS-1HM	CSS-1



**MISSISSIPPI DEPARTMENT OF TRANSPORTATION**

**SECTION 904 - NOTICE TO BIDDERS NO. 5825**

**CODE: (SP)**

**DATE: 09/11/2015**

**SUBJECT: Contract Time**

**PROJECT: CM-0017-00(041) / 106852301 -- Desoto County**

The calendar date for completion of work to be performed by the Contractor for this project shall be **June 15, 2018** which date or extended date as provided in Subsection 907-108.06 shall be the end of contract time. It is anticipated that the Notice of Award will be issued no later than be **November 10, 2015** and the effective date of the Notice to Proceed / Beginning of Contract Time will be **March 10, 2016**.

Should the Contractor request a Notice to Proceed earlier than **March 10, 2016** and it is agreeable with the Department for an early Notice to Proceed, the requested date will become the new Notice to Proceed / Beginning of Contract Time date.

Time was calculated considering the winning bidder would utilize multiple crew, and multiple operations to complete the work by the completion date.

## MISSISSIPPI DEPARTMENT OF TRANSPORTATION

SECTION 904 - NOTICE TO BIDDERS NO. 5826

DATE: 09/10/2015

SUBJECT: Specialty Items

PROJECT: CM-0017-00(041) / 106852301 - DESOTO

Pursuant to the provisions of Section 108, the following work items are hereby designated as "Specialty Items" for this contract. Bidders are reminded that these items must be subcontracted in order to be considered as specialty items.

### CATEGORY: AGGR BASE AGGR SHLDR LEAN CONC BASE

---

Line No	Pay Item	Description
0900	907-304-F003	3/4" and Down Crushed Stone Base
0910	907-304-F004	Size 825B Crushed Stone Base
0920	907-304-F002	Size 610 Crushed Stone Base
1350	907-304-F003	3/4" and Down Crushed Stone Base
1360	907-304-F004	Size 825B Crushed Stone Base
1370	907-304-F002	Size 610 Crushed Stone Base

### CATEGORY: ASPHALT CONCRETE

---

Line No	Pay Item	Description
0340	907-403-A017	9.5-mm, ST, Asphalt Pavement
0350	907-403-A018	12.5-mm, ST, Asphalt Pavement
1130	907-403-A017	9.5-mm, ST, Asphalt Pavement
1140	907-403-A018	12.5-mm, ST, Asphalt Pavement

### CATEGORY: DISPOSAL OF BUILDINGS, RIGHT OF WAY CLEA

---

Line No	Pay Item	Description
0020	202-B090	Removal of Terminal End Section

### CATEGORY: EARTHWORK, CLEARING & GRUBBING

---

Line No	Pay Item	Description
0010	201-B001	Clearing and Grubbing
0040	203-EX018	Borrow Excavation, AH, LVM, Class B9
0930	203-EX018	Borrow Excavation, AH, LVM, Class B9

### CATEGORY: EROSION CONTROL

---

Line No	Pay Item	Description
0050	219-A001	Watering
0060	234-A001	Temporary Silt Fence
0280	907-216-A001	Solid Sodding
0290	907-225-A001	Grassing
0300	907-225-B001	Agricultural Limestone

CATEGORY: EROSION CONTROL

---

Line No	Pay Item	Description
0310	907-225-C001	Mulch, Vegetative Mulch
0320	907-237-A002	Wattles, 12"
0330	907-246-A002	Sandbags
0940	234-A001	Temporary Silt Fence
1080	907-225-A001	Grassing
1090	907-225-B001	Agricultural Limestone
1100	907-225-C001	Mulch, Vegetative Mulch
1110	907-237-A002	Wattles, 12"
1120	907-246-A002	Sandbags
1380	234-A001	Temporary Silt Fence
1430	907-237-A002	Wattles, 12"
1440	907-246-A002	Sandbags

CATEGORY: GUARDRAIL, GUIDERAIL

---

Line No	Pay Item	Description
0080	606-B001	Guard Rail, Class A, Type 1
0090	606-C003	Guard Rail, Cable Anchor, Type 1
0100	606-E001	Guard Rail, Terminal End Section
0950	606-B001	Guard Rail, Class A, Type 1
0960	606-C003	Guard Rail, Cable Anchor, Type 1
0970	606-E001	Guard Rail, Terminal End Section

CATEGORY: MISCELLANEOUS/ SPECIALTY WORK ITEMS

---

Line No	Pay Item	Description
0880	907-899-A001	Railway-Highway Provisions

CATEGORY: NON ROADWAY ITEMS

---

Line No	Pay Item	Description
0890	907-906001	Trainees

CATEGORY: SURVEY AND STAKING

---

Line No	Pay Item	Description
0870	907-699-A002	Roadway Construction Stakes

CATEGORY: TRAFFIC CONTROL - PERMANENT

---

Line No	Pay Item	Description
0190	630-F001	Delineators, Guard Rail, White
1030	630-F001	Delineators, Guard Rail, White

CATEGORY: TRAFFIC CONTROL - TEMPORARY

---

Line No	Pay Item	Description
0110	619-D1001	Standard Roadside Construction Signs, Less than 10 Square Feet
0120	619-D2001	Standard Roadside Construction Signs, 10 Square Feet or More
0130	619-G4001	Barricades, Type III, Single Faced
0140	619-G7001	Warning Lights, Type "B"
0980	619-D1001	Standard Roadside Construction Signs, Less than 10 Square Feet
0990	619-D2001	Standard Roadside Construction Signs, 10 Square Feet or More
1000	619-G4001	Barricades, Type III, Single Faced
1010	619-G7001	Warning Lights, Type "B"

# MISSISSIPPI DEPARTMENT OF TRANSPORTATION

**SECTION 904 - NOTICE TO BIDDERS NO. 5827**

**CODE: (SP)**

**DATE: 08/19/2015**

**SUBJECT: Traffic Management Center (TMC) Modifications**

**PROJECT: CM-0017-00(041) / 106852301 – Desoto County**

Bidders are hereby advised that the following Traffic Management Center (TMC) Modifications will be required for this project.

## **MDOT TMC Modifications SITE #1**

**Site 1: The MDOT Statewide TMC is located at 2567 North West Street, Jackson, MS, 39216. The center is in the MDOT Shop Complex, Building A, on the 3<sup>rd</sup> Floor.**

**Software:** The Contractor shall initially use vendor supplied software to test the Traffic Signal Controllers, Radar Detection Systems (RDS), Bluetooth Detection Systems (BDS), Dynamic Message Signs (DMS), Travel Time Signs, Video Kiosks, and Closed Circuit Television Camera (CCTV) systems installed, interfaced or configured on this project and demonstrate full compliance with the contract requirements. The Contractor shall test each using both the leased line and the cellular modem routes. A minimum of Two (2) licensed copies of each system of the vendor supplied software must be provided to MDOT upon completion of the testing for each component.

**MDOT ATMS Software:** The Contractor shall update the licenses and license keys for the existing MDOT ATMS software to include all ITS devices, existing and provided by the Contractor under this project, that the existing ATMS has modules and device drivers for. The Contractor is required to fully configure the existing ATMS software for operation, status monitoring, configuring, and control of any of the RDS sensors, BDS sensors, DMS, Travel Time Signs, and CCTV systems installed, interfaced or configured on this project. At a minimum, this shall include:

- Update and configure the existing map to show the locations of all ITS devices existing and provided by the Contractor that the existing ATMS has modules and device drivers for, including but not limited to: the RDS, BDS, DMS, Travel Time Signs and CCTV with dynamic icons.
- Install and configure all ITS devices existing and provided by the Contractor that the existing ATMS has modules and device drivers for, including but not limited to: RDS, BDS, DMS, Travel Time Signs, and CCTV systems into the software's database.
- Configure Speed Map for new RDS and Blue Tooth Devices and travel time segments as directed by the MDOT Statewide TMC Manager.

- Configure a database of up to 50 preprogrammed DMS messages provided by the MDOT Statewide TMC Manager into the software.
- Configure the systems so the new devices shall send multiple bandwidth streams directly to the MDOT website and TMC video wall.

The Contractor is required to arrange for the ATMS vendor to be on-site to complete this configuration and provide the required testing to show that the software is fully functioning for each RDS, BDS, DMS, Travel Time Sign, and CCTV.

**Equipment:**

- **Video Systems:** The Contractor shall provide, install, and integrate any needed video system equipment or video wall streaming servers for the existing video wall controller that shall be capable of displaying the video streams from the camera streams provided by the contractor and displaying them as video windows on the existing video wall as controlled by the video wall controller through the ATMS software client or on the MDOT WEB page or VDMS system.
- **Leased Line Service:** The Contractor shall be responsible for all coordination, installation, materials, and any equipment necessary to install an AT&T METRO - E leased line service, that is part of the MPLS service, to connect the I-69/ I-55 Communications Hut to the Statewide TMC network. The Contractor shall provide the address of the I-69 / I-55 Communications Hut and any information required for AT&T to provide service to the Hut. The Contractor shall be responsible to coordinate with MDOT and AT&T for the testing the configurations of the new and existing leased circuits between the statewide and regional TMCs. The Contractor shall provide and configure a Cisco 2811 router to connect and interface to the MPLS network on the AT&T leased line.

**Testing:** The Contractor shall submit a proposed test plan for review and approval by MDOT. The Test Plan shall demonstrate full compliance with all requirements in the plans and specifications.

**Training:** 6 hours of training and assistance for a maximum of 12 people shall be provided for operations, testing, and maintenance of the TMC Systems provided on this contract.

All work, materials, equipment and related items described in this NTB shall be included in the lump sum pay item for Traffic Management Center Modifications, 907-659.

MISSISSIPPI DEPARTMENT OF TRANSPORTATION

SECTION 904 - NOTICE TO BIDDERS NO. 5828

CODE: (SP)

DATE: 8/20/2015

SUBJECT: Cooperation Between Contractors

PROJECT: CM-0017-00(041) / 106852301 - Desoto County

The Bidder's Attention is hereby call to Subsection 105.07, Cooperation Between Contractors, of the 2004 Edition of the Mississippi Standard Specification for Road and Bridge Construction.

The Bidder is advised that this project has a project & Future Project that adjoins/incorporates it.

**\*\*Project**

**HSIP-0021-01(061) 106779/302000 in Desoto County**

**BR-9999-02(252) 106918/301000 in Desoto County**

**\*\*Future Project**

**STP-0029-02(018) 102556/306000 in Desoto County**

**STP-0029-02(017) 102556/319000 in Desoto County**

**DB/IM-9999-02(253) 106720/301000 in Desoto County**

**NH-0055-04(076) 100222/305000 in Desoto County**

**NH-0055-04(077) 100222/303000 in Desoto County**

**HSIP-0021-01(062) 106779/303000 in Desoto County**

The successful bidder shall familiarize himself with the future contracts referred to above and comply with the provisions of Subsection 105.07, Cooperation Between Contractors.

## MISSISSIPPI DEPARTMENT OF TRANSPORTATION

**SECTION 904 - NOTICE TO BIDDERS NO. 5829**

**CODE: (SP)**

**DATE: 07/20/2015**

**SUBJECT: ITS Equipment Cabinet Modifications**

**PROJECT: CM-0017-00(041) / 106852301 – Desoto County**

Bidders are hereby advised that the following additional requirements for Cabinet Modifications shall be required on this project. Work and materials not paid for under other pay items shall be included in the price bid for Pay Item Number 907-637-B.

### **Cabinet Modifications:**

Furnish, install, configure, test and integrate all proposed ITS communication, network, video and associated equipment as shown in the plans into the proposed and existing traffic signal controller and ITS cabinets. This may include work to replace or upgrade the existing traffic controllers. This shall be paid for under the associated pay items of: Solid State Traffic Actuated Controller Modifications (907-642-B), Radio Interconnect (907-648-D), On Street Video Equipment (907-650-A), Fiber Optic Cable (907-657-A or B), Networking Equipment and terminal servers (907-658-A or Bx), Video Communication Equipment (907-662-A), Traffic Signal Software (907-663-A), Radar Detection System (907-670-A), and Bluetooth Detection System (907-697-A). Install all incidentals, cabling and materials necessary to provide communications, power, and surge protection to the equipment cabinet, ITS devices, networking equipment, traffic signal controllers, cameras, and detector units.

This shall include the existing Type B ITS cabinets on Stateline Rd. at US Highway 51 (Sta. 1753+60) and Interstate 55 NB Ramps (Sta. 1889+50) and the following Traffic Signal Cabinets at the intersections of:

- Interstate 55 Ramps with Church Rd. (Sta. 2755+30)
- US Highway 51 with
  - o Church Rd. (Sta. 1533+20),
  - o Nail Rd. (Sta. 1588+10),
  - o MS Highway 302/W Goodman Rd. (Sta. 1640+90),
  - o Dorchester Dr. (Sta. 1662+84),
  - o Custer Dr. (Sta. 1684+03),
  - o Rasco Rd. W. (Sta. 1694+00),
  - o Brookhaven Dr. (Sta. 1710+43),
  - o Whitworth St./Mississippi Valley Blvd. (Sta. 1726+95),
  - o Stateline Rd. (Sta. 1751+68),
- Airways Blvd. with
  - o Nail Rd. (Sta. 3041+20),
  - o Marathon Way (Sta. 3056+75),
  - o Store Frontage Rd. (Sta. 3067+00),



- Goodman Rd. with
  - o MS Highway 305/Germantown Rd. (Sta. 5028+85),
  - o Pigeon Roost Rd. (Sta. 5037+02),
  - o Old US Highway 78 (Sta. 5044+20),
- MS Highway 305/Germantown Rd. with
  - o Pigeon Roost Rd. (Sta. 5521+66),
  - o Camp Creek Blvd./Country Club Dr. (Sta. 5551+61),
  - o Longwood Dr. (Sta. 5566+16),
- Scenic MS Highway 304/Commerce St. with
  - o Mt. Pleasant Rd. (Sta. 4042+45),
  - o McCracken Rd./Interstate 55 Southbound Ramps (Sta. 2352+50),
  - o Interstate 55 Northbound Ramps (Sta. 2350+30),
  - o McIngvale Rd. (Sta. 4079+90),
- MS Highway 305/Cockrum Rd. with
  - o Nail Rd. (Sta. 7006+15),
  - o US Highway 78 Eastbound Ramps (Sta. 3605+40),
  - o US Highway 78 Westbound Ramps (Sta. 3599+52),
  - o E. Sandidge Rd. (Sta. 7031+00),
- MS Highway 302/Goodman Rd. with
  - o MS Highway 301 (Sta. 538+63),
  - o Horn Lake Rd. (Sta. 642+85),
  - o Tulane Rd. (Sta. 686+12),
  - o Mallard Creek Dr. (Sta. 706+36),
  - o Hurt Rd. (Sta. 724+02),
  - o Sutton Pl./Windchase Dr. (Sta. 797+78),
  - o Interstate Blvd. (Sta. 814+79),
  - o Interstate 55 Ramps (Sta. 823+90),
  - o Southcrest Pkwy. (Sta. 842+89),
  - o Airways Blvd. (Sta. 855+67),
  - o Greenbrook Pkwy./Elmore Rd. (Sta. 885+15),
  - o Swinnea Rd. (Sta. 908+98),
  - o Tchulahoma Rd. (Sta. 963+65),
  - o Getwell Rd. (Sta. 1016+46),
  - o Malone Rd. (Sta. 1069+55),
  - o Pleasant Hill Rd. (Sta. 1120+86),
  - o Target Entrance (Sta. 1132+42),
  - o Davidson Rd. (Sta. 1175+29),
  - o Hamilton Cir. (Sta. 1204+62),
  - o Craft Rd. (Sta. 1229+36),
  - o Crumpler Blvd. (Sta. 1248+15),
  - o Enterprise Dr. (Sta. 1256+63),
  - o US Highway 78 Ramps (Sta. 1264+78),
  - o Craft Goodman Rd. (Sta. 1288+49),
  - o Alexander Rd. (Sta. 1391+24),
  - o Hacks Cross Rd. (Sta. 1452+50),
- Southcrest Pkwy. with

- o Southcrest Pkwy. Shopping Center (Sta. 841+90),
- Stateline Rd. with
  - o Whitworth St. (Sta. 1855+20),
  - o Millbranch Rd. (Sta. 1881+25),
  - o Northwest Dr. (Sta. 1890+84),
  - o Interstate 55 Ramps (Sta. 1897+21),
  - o Hudgins Rd./Hamilton Rd. (Sta. 1905+49),
  - o Market Pl. Dr. (Sta. 1920+50),
  - o Airways Blvd. (Sta. 1936+05), and
  - o Greenbrook Pkwy. (Sta. 1971+90).

The existing traffic signal controller cabinets having a controller type of 300, as indicated on Sheet CMS-1 of the Plans, shall be modified by replacing the existing signal controller with a solid state actuated traffic controller, type 8A as specified in section 642 of the latest MDOT specifications. The existing traffic signal controller cabinets having a controller type of 50, as indicated on Sheet CMS-1 of the Plans, shall be modified by upgrading the firmware. All traffic signal controllers at the intersections described above shall be Ethernet ready with SEPAC 3.54 or later NTCIP firmware (as directed by the Engineer), shall include the FYA delay feature, and must be 100% compatible with the existing MDOT signal systems hardware/software. Controller upgrades shall be paid for under 907-642-B.

Work will also include installing and connecting a fiber trunk cable and drop cable as shown on the plans. All labor, equipment and materials necessary to provide the physical entrance for fiber into the cabinet, whether via existing spare conduit or with a new and separate conduit entrance, shall be included in the bid price for Pay Item Number 907-637-B, unless specifically identified for separate payment in the Plans. Materials and construction methods for all cabinet entrances shall conform to details shown in the Plans and all other requirements set forth in the Plans and specifications. At locations where new fiber is being installed and new drops being spliced where fiber communications currently exists the contractor shall make every effort to limit communication down-time to existing ITS and Traffic Signal devices. The Contractor shall submit a change-over plan which details the proposed cut-over and anticipated down time to MDOT for approval prior to disrupting current equipment communications and equipment availability to the Statewide and Regional centers, and MDOTtraffic.com website.

In addition, the existing cabinets shall be modified so that the existing and proposed ITS devices will be connected to the existing and proposed equipment, as set forth in the Plans and specifications, and configured to communicate on the fiber backbone to the I-55 / I-69 Communications Hut and on to the Northwest Regional and Statewide Traffic Management Centers.

**Installation and Configuration:** The Contractor shall install the drop cable, provide and connect the fiber patch cables, connect the fiber patch cables as necessary to the traffic signal controller, and configure the traffic signal controller to communicate with the existing traffic signal controller management software in the Statewide TMC.

All work, equipment, cords, configuration, and incidental cabling to modify the traffic signal controller to communicate and be integrated with the existing traffic signal controller management software in the TMC equipment room will be considered incidental and shall be included in the cost of Pay Item Number 907-659-A.

All work, equipment, cords, configuration, and incidental cabling required at the existing cabinets to connect the new fiber to equipment at existing locations shall be considered incidental and shall be included in the cost of Pay Item Number 907-637-B. All existing equipment that is removed shall be returned to the entity that has jurisdiction over that intersection as indicated in the Table below.

All existing equipment belonging to MDOT shall be returned to the District 2 Maintenance Headquarters in Batesville, MS. The delivery of this existing equipment shall be coordinated with the District 2 Maintenance Engineer.

Intersection	Jurisdiction
<b>Interstate 55 Ramps at</b>	
Church Rd.	MDOT
<b>US Highway 51 at</b>	
Church Rd.	MDOT
Nail Rd.	MDOT
Goodman Rd./MS 302	MDOT
Dorchester Dr.	MDOT
Custer Dr.	MDOT
Rasco Rd. W.	MDOT
Brookhaven Dr.	MDOT
MS Valley Blvd.	MDOT
Stateline Rd.	MDOT
Stateline Rd.	MDOT
<b>Airways Blvd. at</b>	
Nail Rd.	Southaven
Marathon Way	Southaven
Storefront Rd.	Southaven
<b>Goodman Rd. at</b>	
MS 305/Germantown Rd.	MDOT
Pigeon Roost Rd.	Olive Branch
Old Hwy. 78	Olive Branch
<b>MS Highway 305/Germantown Rd. at</b>	
Longwood Dr.	MDOT
Camp Creek Blvd/Country Club Dr.	MDOT
Pigeon Roost Rd.	MDOT
<b>Scenic MS Highway 304/Commerce St. at</b>	
Mt Pleasant Rd.	Hernando
McCracken Rd./ I-55 SB	MDOT
Ramp for I-55 NB	MDOT
McIngvale Rd.	Hernando
<b>MS Highway 305/Cockrum Rd. At</b>	
US 78 WB	MDOT
US 78 EB	MDOT
E. Sandidge Rd.	MDOT
Nail Rd.	MDOT

Intersection	Jurisdiction
<b>MS Highway 302/Goodman Rd. at</b>	
MS 301	MDOT
Horn Lake Rd.	MDOT
Tulane Rd.	MDOT
Mallard Creek Dr.	MDOT
Hurt Rd.	MDOT
Windchase Dr.	MDOT
Interstate Blvd.	MDOT
I-55 SB	MDOT
Southcrest Pkwy.	MDOT
Airways Blvd.	MDOT
Greenbrook Pkwy.	MDOT
Swinnea Rd.	MDOT
Tchulahoma Rd.	MDOT
Getwell Rd.	MDOT
Malone Rd.	MDOT
Pleasant Hill Rd.	MDOT
Target Entrance/Exit	MDOT
Davidson Rd.	MDOT
Hamilton Cir.	MDOT
Craft Rd.	MDOT
Crumpler Blvd.	MDOT
Enterprise Dr.	MDOT
US 78	MDOT
Craft Goodman Rd.	MDOT
Alexander Rd.	MDOT
Hacks Cross Rd.	MDOT
<b>Southcrest Pkwy. at</b>	
Southcrest Pkwy. Shopping Center	Southaven
<b>Stateline Rd. at</b>	
Whitworth St.	Southaven
Millbranch Rd.	Southaven
Northwest Dr.	Southaven
I-55	MDOT
I-55	MDOT
Hamilton Rd.	Southaven
Market Pl. Dr.	Southaven
Airways Blvd.	Southaven
Greenbrook Pkwy.	Southaven

# MISSISSIPPI DEPARTMENT OF TRANSPORTATION

**SECTION 904 - NOTICE TO BIDDERS NO. 5830**

**CODE: (SP)**

**DATE: 08/12/15**

**SUBJECT: Camera Pole with Foundation**

**PROJECT: CM-0017-00(041) / 106852301 – Desoto County**

Bidders are hereby advised that the following Camera Pole with Foundation, 80' pole required on this project shall be inclusive of a camera lowering device as detailed in the plans and meeting the following requirements.

In addition to the requirements set forth in special provision 907-639-9 for Galvanized Steel Poles for Cameras the pole shaft shall meet the following requirements:

## **Pole Shaft**

1. A removable cap shall be provided to cover the shaft top when no device is mounted on pole.
2. A hand hole shall be provided at 48 inches above the base. A cover for the hand hole shall be provided.
3. Conduit and wire entries into the pole shall be made through a boss. A wireway for the lifting, power, and video cabling shall be provided through the bosses.
4. The pole shall have a plate mounted tenon that allows the arm/camera orientation to change by 360 degrees so that the camera can be installed in such a way that it does not come in contact with the pole mounted cabinet during lowering/raising operation.

## **Camera Lowering Device**

1. The lowering device system shall be designed to support, raise, and lower a standard CCTV camera, lens, housing, PTZ mechanism, cabling, connectors, and other supporting field components.
2. The camera connector box shall be cast ZA-12 (12% Al and 88% Zn) and have a minimum weight that ensures stability of the camera during raising and lowering operation. The camera connector box shall have fully gasketed doors to prevent water intrusion. The bottom of the camera connector box shall be equipped with a condensation/moisture exit system.
3. The camera connector block shall be molded in thermoset, weather-resistant, synthetic rubber designed to handle harsh environments. Electrical contacts must also be designed to handle harsh environments.
4. There shall be a locking mechanism between the fixed and movable components. For the movable components, a latching mechanism shall be provided to hold the device in place (when latched all weight shall be removed from the lowering cable) and to raise or lower the assembly using the lowering tool and lowering cable. The suspension contact unit housing shall be weatherproof with a gasket to isolate the interior from dust and moisture.

5. All pulleys shall have sealed, self-lubricated bearings, oil tight bronze bearings, or sintered bronze bushings. The lowering cable shall be a minimum 1/8 inch diameter stainless steel aircraft cable.
6. Internal wireways shall prevent the stainless steel lifting cable from contacting power or video cabling. The only cable permitted to move is the lifting cable, all other cables must remain stable and secure during lowering and raising operations.
7. The lowering tool shall consist of a lightweight metal frame and winch assembly, a quick release cable connector, an adjustable safety clutch, and a variable speed industrial duty electric drill motor. This tool shall be able to access the lifting cable through a pole handhole, shall support itself and the load during lowering, and shall provide a means to prevent freewheeling when loaded. This tool shall have a reduction gear to reduce the manual effort required during lifting operations. In addition, this tool shall be provided with an adapter for operating the lowering device with a portable drill using a clutch mechanism. The portable lowering tool shall be included as part of the system.
8. The lowering device shall include customized adapter brackets to install cylindrical type PTZ CCTV camera that have mounting base below the camera assembly and is require to be installed in upright position.

**MISSISSIPPI DEPARTMENT OF TRANSPORTATION**

**SECTION 904 - NOTICE TO BIDDERS NO. 5831**

**CODE: (SP)**

**DATE: 08/19/2015**

**SUBJECT: Location & Configuration of Communication Nodes**

**PROJECT: CM-0017-00(041) / 106852301 – Desoto County**

Bidders are hereby advised of the following.

**Communications Node**

- All OTN equipment, Chassis and Cards shall be paid under Pay Item 907-660-A.
- The OTN Node Communications Hut, Communications Node Vault, and Communications Node Training shall be paid under Pay Item 907-660-B
- OTN Node Training shall be paid under Pay Item 907-660-C
- The equipment, labor, and configuration required at Termination Cabinets that is not covered under the associated pay items below shall be considered incidental and paid for under TMC Modifications Pay Item 907-659-A; ITS Equipment Cabinets (907-637-A); Fiber Optic Cable (907-657-A or B; Networking Equipment (907-658-A).

OTN Nodes Components to be provided are provided in the table below.

<b>Table 1 OTN Node Locations &amp; Configurations</b>		<b>Total #</b>	<b>MDOT Statewide TMC</b>	<b>I-55 @ I-69</b>	<b>US Hwy 78</b>
<b>Item Description</b>	<b>Part No.</b>				
<b>INTERFACE CARDS</b>					
ET-100DAE (10 + 2 S-LAN ports)	S30824-Q123-X101	4	1	1	1
Optical GbE SFP 850nm mm	V30813-S19-A1	4	1	1	1
H.264/AVC Video Card (16 analog ports, inputs and outputs), including streaming	S30824-Q131-X501	4	1	1	1
Blank panel for interface slot	C30165-A9550-B9	*	*	*	*
<b>CABLES FOR INTERFACE CARDS</b>					
Fiber Patch Cables (multi-mode) for connection between Type C network Switch and ET-100DAE		4	1	1	1

PANEL					
19" BNC terminal panel 1HU (16 positions)	V30812-A3010-A147	4	1	1	1

\* The Contractor shall provide the appropriate number of Back panels to cover empty card slots.

Part Numbers are provided for informational purposes and are subject to change by the manufacturer. Any part substitutions due to revision or version changes must be approved by the MDOT Project Manager. Not all required ancillary components are shown in the table above; however, these shall be provided as part of the OTN Node to comprise a fully functional and operable final system. This may include but is not limited to, network management / maintenance software licensing, optical transceivers, node chassis and power supplies. All required OTN components shall be included in the price bid for Item No. 907-660-A.

**OTN Node Communication HUT – Site #1**

An OTN Node Communication Hut, Vault, and grounding system, located in the southwest quadrant of the interchange of Interstate 55 with Interstate 69, will be provided as part of this project and shall be paid under Pay Item 907-660-B.

**OTN Node Installation, Configuration – Site #1**

- An OTN Node shall be installed, connected, configured, and shall be paid under Pay Item 907-660-A.
- The OTN node shall have a minimum of a 40 Gbps Ethernet backplane.
- The Type C Network Switch will be provided as indicated in Plans under Pay Item Number 907-658-A Network Switch, Type C.
- All other parts, components, installation, configuration, and cabling of the Communications node and ITS equipment located in the Communication hut shall be paid under Pay Item 907-660-B
- The Contractor shall be responsible for all coordination, installation, materials, and any equipment necessary to install an AT&T METRO-E leased line service that is part of the MPLS service to the Statewide TMC network into the Site #1 Communication HUT.
- The Contractor shall provide and configure a **Cisco 2811 router** to connect and interface to the MPLS network on the AT&T leased line.
- The Contractor shall provide the address of the Site #1 Communications HUT and any information required for AT&T to provide METRO-E service to the Communications HUT.
- The Contractor shall provide service during project and burn-in period.
- The Contractor shall arrange for transfer of Service to MDOT after project acceptance as directed by the MDOT ITS Program Manager.
- The Contractor shall be responsible for installing the OTN interface cards identified in **TABLE 1** above and configuring them to be integrated to the MDOT ITS network as approved by the ITS Program Manager or his/her designee.
- **Work on OTN Node equipment must be done by a technician certified on the OTN Node technology.**
- The OTN Node shall connect via two (2) - 10 Gigabit links to the OTN Node in the Site #2 Communications Hut located on US Highway 78.



- The Contractor shall interface and configure the Site #1 OTN Node to the Site #2 OTN Node to provide communications between the HUTs and field elements connected to the HUTs and Termination Cabinets.
- The Type C Network Switch as specified in special provision 907-658 will be connected by the Contractor in the Hut as follows:
  - The contractor is responsible to mount the Type C network switch in the Contractor provided 19 inch racks at the Communications Node Huts.
  - The contractor shall provide fiber optic patch cords at least 6 ft in length. In addition, the contractor shall provide 10 spare fiber optic patch cords per Communication Node Hut.
  - The Contractor shall submit to the ITS Engineer for approval, a cable connection diagram done in Visio and an excel spreadsheet with port connections one week prior to connecting the Type C switches in the HUT buildings.
    - The Type C Network Switch shall connect via a Gigabit link to the Contractor provided **Cisco 2811 router**.
    - The Contractor shall interface and configure the Type C switch to the **Cisco 2811 router** to provide communications from the HUT and field elements connected to the HUT to the MDOT Statewide TMC.
    - The Contractor shall connect one of the uplink ports on the Type C network switch to one of the Gigabit optical ports on the 100DAE card on the OTN Node at each location as directed by the ITS Engineer.
    - The connection between the Type C Network Switch and the OTN card shall be made via a 6ft fiber optic patch cable.
    - The Type C Network Switch shall connect via a Gigabit link to the Type E Network Switch in the Termination Cabinet located in the northeast quadrant of the intersection of US Highway 51 with MS Highway 302/Goodman Rd.
    - The Type C Network Switch shall connect via a Gigabit link to the Type C Network Switch in the equipment room of the Southaven Combined TMC located at 8791 Northwest Drive, Southaven, Mississippi (Police Department)
    - Type C Switch shall be provided with SFP-based network module(s) with a combined minimum of 48 Gigabit Ethernet fiber access ports and 6 Gigabit Ethernet fiber uplink ports.
    - The Contractor shall provide the greater of: The number of ports populated with SFP modules as the number indicated in the table below, or 6GE uplink port modules and Twenty (20) 1000SFP modules.
    - The ports, as listed in the table below, from each of the appropriate 72 fiber termination panels will connect in pairs to the SFP (Optical ports) of the Type C Network Switch via appropriate single mode fiber optic patch cords unless otherwise directed and/or approved by the ITS Engineer or his designee:

Trunk	Buffer Tubes	
	BL	OR
I-55 South of I-69		13-24
I-69 West of I-55		13,14,23,24
I-55 North to MS 302 West	1-4	13-24
I-55 North of I-69	1-4	13-24
I-55 to US 78 HUT	1-4 *	

\* Connection between OTN Nodes

- WEB based rack mounted remote environmental monitoring system with the following elements:
  - H.264 IP based PTZ camera provided per SPECIAL PROVISION NO. 907-650 shall be connected to the Network Switch in the HUT via network cables.
  - Environmental sensors for heat and humidity
  - Power monitoring sensor
  - Alarm management system with email forwarding function

**OTN Node Communication HUT – Site #2**

Site #2 is the existing Communication Hut located on the north side of US Highway 78 approximately one (1) mile northwest of the interchange with Interstate 269. shall be paid under Pay Item 907-660-B.

**OTN Node Installation, Configuration – Site #2**

- The replacement of the existing OTN Node and all parts, components, cabling, and the installation and configuration of the switch, ITS equipment, and proposed OTN node shall be paid under Pay Item 907-660-A.
- The proposed OTN node shall have a minimum of a 40 Gbps Ethernet backplane.
- The Contractor shall be responsible for installing the OTN interface cards identified in **TABLE 1** above and configuring them to be integrated to the MDOT ITS network as approved by the ITS Program Manager or his/her designee.
- **Work on OTN Node equipment must be done by a technician certified on the OTN Node technology.**
- As stated under Site #1 above, the OTN Node at Site #2 shall connect via two (2) - 10 Gigabit links to the OTN Node in the Site #1 Communications Hut located at the interchange of Interstate 55 with Interstate 69.
- The Contractor shall interface and configure the Site #1 OTN Node to the Site #2 OTN Node to provide communications between the HUTs and field elements connected to the HUTs.
- The existing Type C Network Switch will be configured by the Contractor as follows:
  - The Contractor shall be responsible to determine the needs of the existing Cisco Switch located in the Site #2 Hut to provide the proper interfaces between the ITS field equipment and switches under the scope of this project.
  - If existing equipment must be moved, the contractor will coordinate with the ITS Engineer for movement of equipment.
  - The contractor is responsible for any re-cabling if existing equipment is moved to make room for the switch in the rack.

- The Contractor shall provide, install, configure, and integrate any network cards and/or modules into the existing Cisco Switch and proposed OTN Node that are needed to meet these needs.
- If the existing Cisco Switch does not have the free capacity to meet the determined needs, the Contractor will be required to provide and configure an additional Type C Switch and connect via fiber patch cables to the existing Switch.
- The Contractor shall be responsible to provide and configure any needed interface cards, cards to support the additional GBICs or SPFs in the new and/or existing Network Switch.
- Switch upgrades and interfaces at Site #2 must be submitted and approved by the Project Engineer and the ITS Engineer during submittals for network switches to be provided in this project.
- The contractor shall provide fiber optic patch cords at least 6 ft in length. In addition, the contractor shall provide 10 spare fiber optic patch cords per Communication Node Hut.
- The Contractor shall submit to the ITS Engineer for approval, a cable connection diagram done in Visio and an excel spreadsheet with port connections one week prior to connecting the Type C switches in the HUT buildings.
  - The Type C Network Switch shall retain the connection via a Gigabit link to the existing Cisco **2811 router**.
  - The Contractor shall reconfigure the Type C switch connection to the **Cisco 2811 router**, if necessary, to maintain communications from the HUT and field elements connected to the HUT to the MDOT TMC if needed to keep communications to existing devices active prior to final project acceptance.
  - The Contractor shall connect one of the uplink ports on the Type C network switch to one of the Gigabit optical ports on the 100DAE card on the OTN Node at each location as directed by the ITS Engineer.
  - The connection between the Type C Network Switch and the OTN card shall be made via a 6ft fiber optic patch cable.
  - The Type C Network Switch shall connect via a Gigabit link to the Type E Network Switch in the Termination Cabinet located in the southwest quadrant of the intersection of US Highway 78 westbound ramps with MS Highway 302/Goodman Rd.
  - The existing Type C Switch shall be provided with SFP-based network module(s) to provide a minimum of 4 additional Gigabit Ethernet fiber access ports and 4 additional Gigabit Ethernet fiber uplink ports.
  - The ports, as listed in the table below, from each of the appropriate 72 fiber termination panels will connect in pairs to the SFP (Optical ports) of the Type C Network Switch via appropriate single mode fiber optic patch cords unless otherwise directed and/or approved by the ITS Engineer or his designee:
  - The ports, as listed in the table below, from each of the appropriate 72 fiber termination panels will connect in pairs to the SFP (Optical ports) of the Type C Network Switch via appropriate single mode fiber optic patch cords:

Trunk	Buffer Tubes	
	BL	OR
US-78 North of HUT	1-8	13-24
US-78 South of HUT	Maintain existing connections	

**OTN Node Training:** A minimum of 24 hours of onsite training, testing, and support shall be provided for OTN Nodes and the MSTraffic network for a minimum of 8 people.

**Termination Cabinets**

**US Highway 51 at MS Highway 302/Goodman Rd.**

The proposed FO termination cabinet located in the northeast quadrant of the intersection of US Highway 51 with MS Highway 302/Goodman Rd. will be installed to terminate all 216 proposed and 96 existing FO trunk fibers. The FO trunk fibers indicated in the table below shall be connected to the proposed Type E switch. All labor, equipment and materials necessary for this work shall be included in the bid price for Pay Item Number 907-658-A. The Type E switch shall provide, at a minimum, SFP-based module(s) as follows:

- Two (2) Gigabit Ethernet SFP uplink modules
- Eighteen (18) Gigabit Ethernet fiber access ports

Trunk	Buffer Tubes			
	BL	OR	SL*	BK**
MS 302 West of US 51		13-24		
US 51 South of MS 302		13,14,17-24		
US 51 North of MS 302			49,50	85-96
MS 302 East of US 51	1-4			

\* May actually be BL in the field

\*\*May actually be BR in the field

**US Highway 78 at MS Highway 302/Goodman Rd.**

The proposed FO termination cabinet located in the southwest quadrant of the intersection of US Highway 78 westbound ramps with MS Highway 302/Goodman Rd. will be installed to terminate all 216 FO trunk fibers. An additional 72 FO fibers will be terminated here if Add Option #1 is completed. The FO trunk fibers indicated in the table below shall be connected to the proposed Type E switch. All labor, equipment and materials necessary for this work shall be included in the bid price for Pay Item Number 907-658-A. The Type E switch shall provide, at a minimum, SFP-based module(s) as follows:

- Two (2) Gigabit Ethernet SFP uplink modules
- Fifteen (15) Gigabit Ethernet fiber access ports

Trunk	Buffer Tubes	
	BL	OR
MS 302 West of US 78	**	13-24
US 78 North of MS 302*		13,14,19,20,23,24
MS 302 East of US 78		13-24
US 78 South of MS 302	5-8	

\*Add Option #1

\*\* BL 1-4 goes through the Termination Cabinet from US 78 hut to I-69 hut without going through the switch

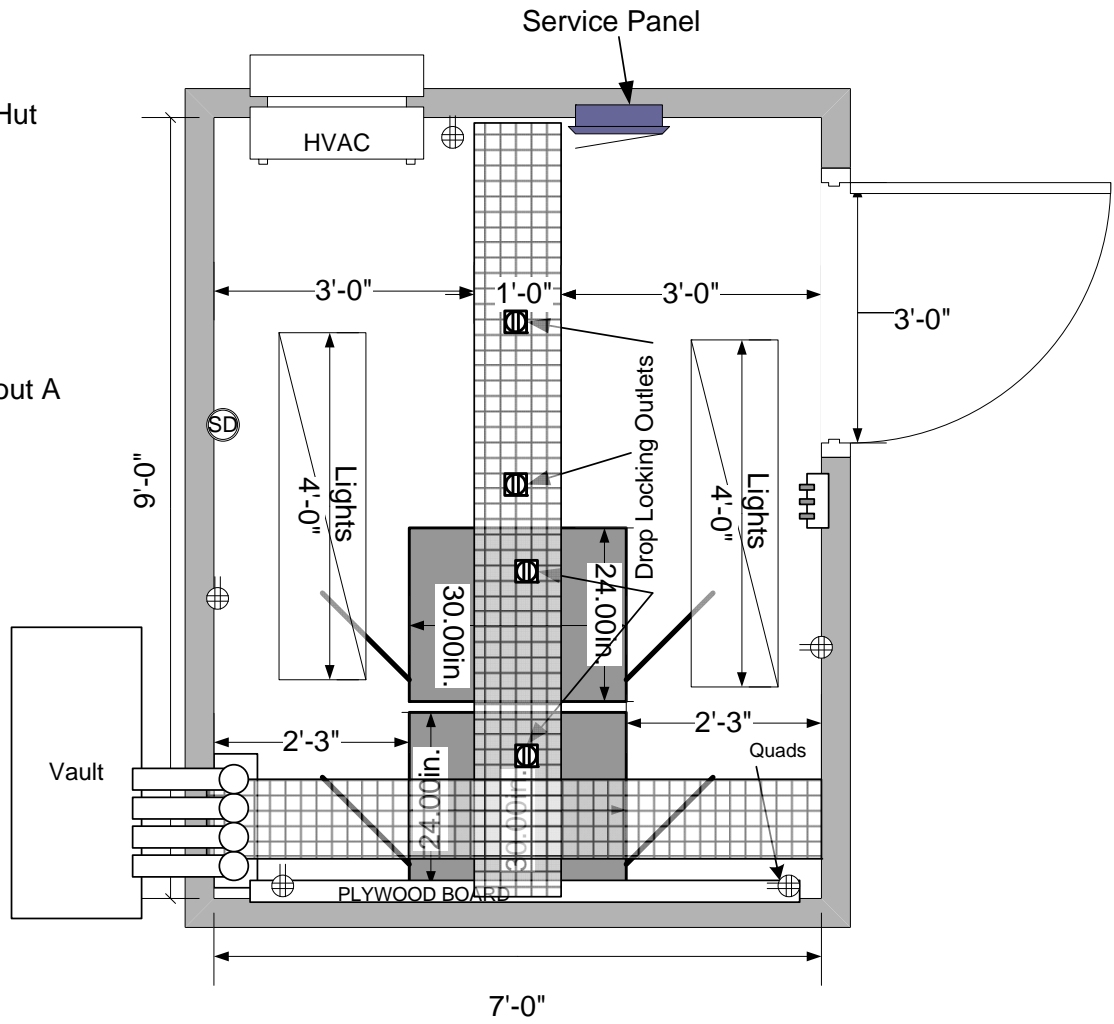
**Interstate 55 at Southaven Combined TMC**

The proposed FO termination cabinet located on the west side of Interstate 55 across from the Southaven Police Department, approximately a quarter mile south of the Stateline Road interchange, will be installed to terminate all 288 FO trunk fibers. These four trunks will come from cutting the two existing 72 FO trunks in two. The four trunks will be A) the FO trunk to the PD that was from the south, B) the FO trunk to the PD that was from the north, C) the FO trunk that goes along Interstate 55 to the south, and D) the FO trunk that goes along Interstate 55 to the north. The FO trunk fibers shall be jumpered together such that the Blue tube of A) is connected to the Blue tube of C). All other tubes of C) shall be jumpered to D). All labor, equipment and materials necessary for this work shall be included in the bid price for Pay Item Number 907-637-A.

### Layout of Communications HUT

8x10  
Communications Hut  
9/22/2010

Layout A



8' x 10' outside Dimensions

**MISSISSIPPI DEPARTMENT OF TRANSPORTATION**

**SECTION 904- NOTICE TO BIDDERS NO. 5832**

**CODE: (SP)**

**DATE: 09/14/2013**

**SUBJECT: Add Option Bidding**

**PROJECT: CM-0017-00(041) / 106852301 -- Desoto County**

Bidders are hereby advised that this project contains Add Option items that will be used to determine the low bidder. Bidders are required to bid the base items (Roadway and/or Bridge Items) and **ALL** Add Options. All options are of the same priority.

Prices for all Add Option items will be added to the base items and the project will be awarded to the bidder that has the lowest total bid (base plus all Add Options) for the project. After the project has been awarded to the lowest bidder and prior to the execution of the contract, MDOT will select which, if any, Add Options will be deleted from the contract.

Plan sheets and bid items associated with add options that are not selected should be removed and/or disregarded as part of the contract.





LABORER: Pipelayer.....	\$ 12.93	0.00
LABORER: Laborer-Cones/ Barricades/Barrels - Setter/Mover/Sweeper.....	\$ 10.25	0.00
OPERATOR: Asphalt Spreader.....	\$ 14.71	0.00
OPERATOR: Backhoe/Excavator/Trackhoe.....	\$ 15.01	0.00
OPERATOR: Bobcat/Skid Steer/Skid Loader.....	\$ 11.64	0.00
OPERATOR: Broom/Sweeper.....	\$ 12.83	0.00
OPERATOR: Bulldozer.....	\$ 14.46	0.00
OPERATOR: Crane.....	\$ 19.97	0.00
OPERATOR: Grader/Blade.....	\$ 15.37	0.00
OPERATOR: Loader.....	\$ 13.54	0.00
OPERATOR: Mechanic.....	\$ 21.57	0.00
OPERATOR: Milling Machine.....	\$ 16.20	0.00
OPERATOR: Oiler.....	\$ 9.50	0.00
OPERATOR: Paver (Asphalt, Aggregate, and Concrete).....	\$ 11.78	0.00
OPERATOR: Roller (All Types)....	\$ 14.21	0.00
OPERATOR: Scraper.....	\$ 12.25	0.00
OPERATOR: Tractor.....	\$ 11.72	0.00
PILEDRIVERMAN.....	\$ 12.50	1.23
TRUCK DRIVER: Flatbed Truck.....	\$ 13.50	0.00
TRUCK DRIVER: Lowboy Truck.....	\$ 12.43	0.00
TRUCK DRIVER: Mechanic.....	\$ 13.00	0.00
TRUCK DRIVER: Water Truck.....	\$ 14.49	0.00
TRUCK DRIVER: Dump Truck (All Types).....	\$ 13.66	0.00
TRUCK DRIVER: Semi/Trailer Truck.....	\$ 15.22	0.00

-----

WELDERS - Receive rate prescribed for craft performing  
operation to which welding is incidental.

=====

Unlisted classifications needed for work not included within the scope of the classifications listed may be added after award only as provided in the labor standards contract clauses (29CFR 5.5 (a) (1) (ii)).

-----  
The body of each wage determination lists the classification and wage rates that have been found to be prevailing for the cited type(s) of construction in the area covered by the wage determination. The classifications are listed in alphabetical order of "identifiers" that indicate whether the particular rate is a union rate (current union negotiated rate for local), a survey rate (weighted average rate) or a union average rate (weighted union average rate).

Union Rate Identifiers

A four letter classification abbreviation identifier enclosed in dotted lines beginning with characters other than "SU" or "UAVG" denotes that the union classification and rate were prevailing for that classification in the survey. Example: PLUM0198-005 07/01/2014. PLUM is an abbreviation identifier of the union which prevailed in the survey for this classification, which in this example would be Plumbers. 0198 indicates the local union number or district council number where applicable, i.e., Plumbers Local 0198. The next number, 005 in the example, is an internal number used in processing the wage determination. 07/01/2014 is the effective date of the most current negotiated rate, which in this example is July 1, 2014.

Union prevailing wage rates are updated to reflect all rate changes in the collective bargaining agreement (CBA) governing this classification and rate.

Survey Rate Identifiers

Classifications listed under the "SU" identifier indicate that no one rate prevailed for this classification in the survey and the published rate is derived by computing a weighted average rate based on all the rates reported in the survey for that classification. As this weighted average rate includes all rates reported in the survey, it may include both union and non-union rates. Example: SULA2012-007 5/13/2014. SU indicates the rates are survey rates based on a weighted average calculation of rates and are not majority rates. LA indicates the State of Louisiana. 2012 is the year of survey on which these classifications and rates are based. The next number, 007 in the example, is an internal number used in producing the wage determination. 5/13/2014 indicates the survey completion date for the classifications and rates under that identifier.

Survey wage rates are not updated and remain in effect until a new survey is conducted.

Union Average Rate Identifiers

Classification(s) listed under the UAVG identifier indicate that no single majority rate prevailed for those

classifications; however, 100% of the data reported for the classifications was union data. EXAMPLE: UAVG-OH-0010 08/29/2014. UAVG indicates that the rate is a weighted union average rate. OH indicates the state. The next number, 0010 in the example, is an internal number used in producing the wage determination. 08/29/2014 indicates the survey completion date for the classifications and rates under that identifier.

A UAVG rate will be updated once a year, usually in January of each year, to reflect a weighted average of the current negotiated/CBA rate of the union locals from which the rate is based.

-----  
WAGE DETERMINATION APPEALS PROCESS

1.) Has there been an initial decision in the matter? This can be:

- \* an existing published wage determination
- \* a survey underlying a wage determination
- \* a Wage and Hour Division letter setting forth a position on a wage determination matter
- \* a conformance (additional classification and rate) ruling

On survey related matters, initial contact, including requests for summaries of surveys, should be with the Wage and Hour Regional Office for the area in which the survey was conducted because those Regional Offices have responsibility for the Davis-Bacon survey program. If the response from this initial contact is not satisfactory, then the process described in 2.) and 3.) should be followed.

With regard to any other matter not yet ripe for the formal process described here, initial contact should be with the Branch of Construction Wage Determinations. Write to:

Branch of Construction Wage Determinations  
Wage and Hour Division  
U.S. Department of Labor  
200 Constitution Avenue, N.W.  
Washington, DC 20210

2.) If the answer to the question in 1.) is yes, then an interested party (those affected by the action) can request review and reconsideration from the Wage and Hour Administrator (See 29 CFR Part 1.8 and 29 CFR Part 7). Write to:

Wage and Hour Administrator  
U.S. Department of Labor  
200 Constitution Avenue, N.W.  
Washington, DC 20210

The request should be accompanied by a full statement of the interested party's position and by any information (wage payment data, project description, area practice material, etc.) that the requestor considers relevant to the issue.

3.) If the decision of the Administrator is not favorable, an

interested party may appeal directly to the Administrative Review Board (formerly the Wage Appeals Board). Write to:

Administrative Review Board  
U.S. Department of Labor  
200 Constitution Avenue, N.W.  
Washington, DC 20210

4.) All decisions by the Administrative Review Board are final.

=====

END OF GENERAL DECISION



## SUPPLEMENT TO FORM FHWA-1273

**DATE:** 10/23/2013

**SUBJECT:** Final Certificate and Contract Provisions for Subcontracts

All subcontracts shall be in writing and contain all pertinent provisions and requirements of the prime contract.

Each "Request for Permission to Subcontract" (Mississippi Department of Transportation Form CAD-720) shall include a copy of subcontract [upon request](#) for review by the Mississippi Department of Transportation. The federal contract provisions may be omitted from the subcontract copy submitted for review provided the Contractor certifies that the provisions will be physically incorporated into the agreement furnished to the Subcontractor.

In lieu of submitting a copy of the subcontract for review, the Contractor may certify that the subcontract agreement is in writing and that it contains all the requirements and pertinent provisions of the prime contract.

Each Subcontractor will be required to provide a copy of the subcontract agreement for contract compliance reviews, along with physical evidence (copy of FHWA-1273) that requirements and pertinent provisions have been provided for review and adherence.

**REQUIRED CONTRACT PROVISIONS  
FEDERAL-AID CONSTRUCTION CONTRACTS**

---

- I. General
- II. Nondiscrimination
- III. Nonsegregated Facilities
- IV. Davis-Bacon and Related Act Provisions
- V. Contract Work Hours and Safety Standards Act Provisions
- VI. Subletting or Assigning the Contract
- VII. Safety: Accident Prevention
- VIII. False Statements Concerning Highway Projects
- IX. Implementation of Clean Air Act and Federal Water Pollution Control Act
- X. Compliance with Governmentwide Suspension and Debarment Requirements
- XI. Certification Regarding Use of Contract Funds for Lobbying

**ATTACHMENTS**

A. Employment and Materials Preference for Appalachian Development Highway System or Appalachian Local Access Road Contracts (included in Appalachian contracts only)

**I. GENERAL**

1. Form FHWA-1273 must be physically incorporated in each construction contract funded under Title 23 (excluding emergency contracts solely intended for debris removal). The contractor (or subcontractor) must insert this form in each subcontract and further require its inclusion in all lower tier subcontracts (excluding purchase orders, rental agreements and other agreements for supplies or services).

The applicable requirements of Form FHWA-1273 are incorporated by reference for work done under any purchase order, rental agreement or agreement for other services. The prime contractor shall be responsible for compliance by any subcontractor, lower-tier subcontractor or service provider.

Form FHWA-1273 must be included in all Federal-aid design-build contracts, in all subcontracts and in lower tier subcontracts (excluding subcontracts for design services, purchase orders, rental agreements and other agreements for supplies or services). The design-builder shall be responsible for compliance by any subcontractor, lower-tier subcontractor or service provider.

Contracting agencies may reference Form FHWA-1273 in bid proposal or request for proposal documents, however, the Form FHWA-1273 must be physically incorporated (not referenced) in all contracts, subcontracts and lower-tier subcontracts (excluding purchase orders, rental agreements and other agreements for supplies or services related to a construction contract).

2. Subject to the applicability criteria noted in the following sections, these contract provisions shall apply to all work performed on the contract by the contractor's own organization and with the assistance of workers under the contractor's immediate superintendence and to all work performed on the contract by piecework, station work, or by subcontract.

3. A breach of any of the stipulations contained in these Required Contract Provisions may be sufficient grounds for withholding of progress payments, withholding of final payment, termination of the contract, suspension / debarment or any other action determined to be appropriate by the contracting agency and FHWA.

4. Selection of Labor: During the performance of this contract, the contractor shall not use convict labor for any purpose within the limits of a construction project on a Federal-aid highway unless it is labor performed by convicts who are on parole, supervised release, or probation. The term Federal-aid highway does not include roadways functionally classified as local roads or rural minor collectors.

**II. NONDISCRIMINATION**

The provisions of this section related to 23 CFR Part 230 are applicable to all Federal-aid construction contracts and to all related construction subcontracts of \$10,000 or more. The provisions of 23 CFR Part 230 are not applicable to material supply, engineering, or architectural service contracts.

In addition, the contractor and all subcontractors must comply with the following policies: Executive Order 11246, 41 CFR 60, 29 CFR 1625-1627, Title 23 USC Section 140, the Rehabilitation Act of 1973, as amended (29 USC 794), Title VI of the Civil Rights Act of 1964, as amended, and related regulations including 49 CFR Parts 21, 26 and 27; and 23 CFR Parts 200, 230, and 633.

The contractor and all subcontractors must comply with: the requirements of the Equal Opportunity Clause in 41 CFR 60-1.4(b) and, for all construction contracts exceeding \$10,000, the Standard Federal Equal Employment Opportunity Construction Contract Specifications in 41 CFR 60-4.3.

Note: The U.S. Department of Labor has exclusive authority to determine compliance with Executive Order 11246 and the policies of the Secretary of Labor including 41 CFR 60, and 29 CFR 1625-1627. The contracting agency and the FHWA have the authority and the responsibility to ensure compliance with Title 23 USC Section 140, the Rehabilitation Act of 1973, as amended (29 USC 794), and Title VI of the Civil Rights Act of 1964, as amended, and related regulations including 49 CFR Parts 21, 26 and 27; and 23 CFR Parts 200, 230, and 633.

The following provision is adopted from 23 CFR 230, Appendix A, with appropriate revisions to conform to the U.S. Department of Labor (US DOL) and FHWA requirements.

**1. Equal Employment Opportunity:** Equal employment opportunity (EEO) requirements not to discriminate and to take affirmative action to assure equal opportunity as set forth under laws, executive orders, rules, regulations (28 CFR 35, 29 CFR 1630, 29 CFR 1625-1627, 41 CFR 60 and 49 CFR 27) and orders of the Secretary of Labor as modified by the provisions prescribed herein, and imposed pursuant to 23 U.S.C. 140 shall constitute the EEO and specific affirmative action standards for the contractor's project activities under

this contract. The provisions of the Americans with Disabilities Act of 1990 (42 U.S.C. 12101 et seq.) set forth under 28 CFR 35 and 29 CFR 1630 are incorporated by reference in this contract. In the execution of this contract, the contractor agrees to comply with the following minimum specific requirement activities of EEO:

a. The contractor will work with the contracting agency and the Federal Government to ensure that it has made every good faith effort to provide equal opportunity with respect to all of its terms and conditions of employment and in their review of activities under the contract.

b. The contractor will accept as its operating policy the following statement:

"It is the policy of this Company to assure that applicants are employed, and that employees are treated during employment, without regard to their race, religion, sex, color, national origin, age or disability. Such action shall include: employment, upgrading, demotion, or transfer; recruitment or recruitment advertising; layoff or termination; rates of pay or other forms of compensation; and selection for training, including apprenticeship, pre-apprenticeship, and/or on-the-job training."

**2. EEO Officer:** The contractor will designate and make known to the contracting officers an EEO Officer who will have the responsibility for and must be capable of effectively administering and promoting an active EEO program and who must be assigned adequate authority and responsibility to do so.

**3. Dissemination of Policy:** All members of the contractor's staff who are authorized to hire, supervise, promote, and discharge employees, or who recommend such action, or who are substantially involved in such action, will be made fully cognizant of, and will implement, the contractor's EEO policy and contractual responsibilities to provide EEO in each grade and classification of employment. To ensure that the above agreement will be met, the following actions will be taken as a minimum:

a. Periodic meetings of supervisory and personnel office employees will be conducted before the start of work and then not less often than once every six months, at which time the contractor's EEO policy and its implementation will be reviewed and explained. The meetings will be conducted by the EEO Officer.

b. All new supervisory or personnel office employees will be given a thorough indoctrination by the EEO Officer, covering all major aspects of the contractor's EEO obligations within thirty days following their reporting for duty with the contractor.

c. All personnel who are engaged in direct recruitment for the project will be instructed by the EEO Officer in the contractor's procedures for locating and hiring minorities and women.

d. Notices and posters setting forth the contractor's EEO policy will be placed in areas readily accessible to employees, applicants for employment and potential employees.

e. The contractor's EEO policy and the procedures to implement such policy will be brought to the attention of employees by means of meetings, employee handbooks, or other appropriate means.

**4. Recruitment:** When advertising for employees, the contractor will include in all advertisements for employees the notation: "An Equal Opportunity Employer." All such advertisements will be placed in publications having a large circulation among minorities and women in the area from which the project work force would normally be derived.

a. The contractor will, unless precluded by a valid bargaining agreement, conduct systematic and direct recruitment through public and private employee referral sources likely to yield qualified minorities and women. To meet this requirement, the contractor will identify sources of potential minority group employees, and establish with such identified sources procedures whereby minority and women applicants may be referred to the contractor for employment consideration.

b. In the event the contractor has a valid bargaining agreement providing for exclusive hiring hall referrals, the contractor is expected to observe the provisions of that agreement to the extent that the system meets the contractor's compliance with EEO contract provisions. Where implementation of such an agreement has the effect of discriminating against minorities or women, or obligates the contractor to do the same, such implementation violates Federal nondiscrimination provisions.

c. The contractor will encourage its present employees to refer minorities and women as applicants for employment. Information and procedures with regard to referring such applicants will be discussed with employees.

**5. Personnel Actions:** Wages, working conditions, and employee benefits shall be established and administered, and personnel actions of every type, including hiring, upgrading, promotion, transfer, demotion, layoff, and termination, shall be taken without regard to race, color, religion, sex, national origin, age or disability. The following procedures shall be followed:

a. The contractor will conduct periodic inspections of project sites to insure that working conditions and employee facilities do not indicate discriminatory treatment of project site personnel.

b. The contractor will periodically evaluate the spread of wages paid within each classification to determine any evidence of discriminatory wage practices.

c. The contractor will periodically review selected personnel actions in depth to determine whether there is evidence of discrimination. Where evidence is found, the contractor will promptly take corrective action. If the review indicates that the discrimination may extend beyond the actions reviewed, such corrective action shall include all affected persons.

d. The contractor will promptly investigate all complaints of alleged discrimination made to the contractor in connection with its obligations under this contract, will attempt to resolve such complaints, and will take appropriate corrective action within a reasonable time. If the investigation indicates that the discrimination may affect persons other than the complainant, such corrective action shall include such other persons. Upon completion of each investigation, the contractor will inform every complainant of all of their avenues of appeal.

**6. Training and Promotion:**

a. The contractor will assist in locating, qualifying, and increasing the skills of minorities and women who are

applicants for employment or current employees. Such efforts should be aimed at developing full journey level status employees in the type of trade or job classification involved.

b. Consistent with the contractor's work force requirements and as permissible under Federal and State regulations, the contractor shall make full use of training programs, i.e., apprenticeship, and on-the-job training programs for the geographical area of contract performance. In the event a special provision for training is provided under this contract, this subparagraph will be superseded as indicated in the special provision. The contracting agency may reserve training positions for persons who receive welfare assistance in accordance with 23 U.S.C. 140(a).

c. The contractor will advise employees and applicants for employment of available training programs and entrance requirements for each.

d. The contractor will periodically review the training and promotion potential of employees who are minorities and women and will encourage eligible employees to apply for such training and promotion.

**7. Unions:** If the contractor relies in whole or in part upon unions as a source of employees, the contractor will use good faith efforts to obtain the cooperation of such unions to increase opportunities for minorities and women. Actions by the contractor, either directly or through a contractor's association acting as agent, will include the procedures set forth below:

a. The contractor will use good faith efforts to develop, in cooperation with the unions, joint training programs aimed toward qualifying more minorities and women for membership in the unions and increasing the skills of minorities and women so that they may qualify for higher paying employment.

b. The contractor will use good faith efforts to incorporate an EEO clause into each union agreement to the end that such union will be contractually bound to refer applicants without regard to their race, color, religion, sex, national origin, age or disability.

c. The contractor is to obtain information as to the referral practices and policies of the labor union except that to the extent such information is within the exclusive possession of the labor union and such labor union refuses to furnish such information to the contractor, the contractor shall so certify to the contracting agency and shall set forth what efforts have been made to obtain such information.

d. In the event the union is unable to provide the contractor with a reasonable flow of referrals within the time limit set forth in the collective bargaining agreement, the contractor will, through independent recruitment efforts, fill the employment vacancies without regard to race, color, religion, sex, national origin, age or disability; making full efforts to obtain qualified and/or qualifiable minorities and women. The failure of a union to provide sufficient referrals (even though it is obligated to provide exclusive referrals under the terms of a collective bargaining agreement) does not relieve the contractor from the requirements of this paragraph. In the event the union referral practice prevents the contractor from meeting the obligations pursuant to Executive Order 11246, as amended, and these special provisions, such contractor shall immediately notify the contracting agency.

**8. Reasonable Accommodation for Applicants / Employees with Disabilities:** The contractor must be familiar

with the requirements for and comply with the Americans with Disabilities Act and all rules and regulations established there under. Employers must provide reasonable accommodation in all employment activities unless to do so would cause an undue hardship.

**9. Selection of Subcontractors, Procurement of Materials and Leasing of Equipment:** The contractor shall not discriminate on the grounds of race, color, religion, sex, national origin, age or disability in the selection and retention of subcontractors, including procurement of materials and leases of equipment. The contractor shall take all necessary and reasonable steps to ensure nondiscrimination in the administration of this contract.

a. The contractor shall notify all potential subcontractors and suppliers and lessors of their EEO obligations under this contract.

b. The contractor will use good faith efforts to ensure subcontractor compliance with their EEO obligations.

**10. Assurance Required by 49 CFR 26.13(b):**

a. The requirements of 49 CFR Part 26 and the State DOT's U.S. DOT-approved DBE program are incorporated by reference.

b. The contractor or subcontractor shall not discriminate on the basis of race, color, national origin, or sex in the performance of this contract. The contractor shall carry out applicable requirements of 49 CFR Part 26 in the award and administration of DOT-assisted contracts. Failure by the contractor to carry out these requirements is a material breach of this contract, which may result in the termination of this contract or such other remedy as the contracting agency deems appropriate.

**11. Records and Reports:** The contractor shall keep such records as necessary to document compliance with the EEO requirements. Such records shall be retained for a period of three years following the date of the final payment to the contractor for all contract work and shall be available at reasonable times and places for inspection by authorized representatives of the contracting agency and the FHWA.

a. The records kept by the contractor shall document the following:

(1) The number and work hours of minority and non-minority group members and women employed in each work classification on the project;

(2) The progress and efforts being made in cooperation with unions, when applicable, to increase employment opportunities for minorities and women; and

(3) The progress and efforts being made in locating, hiring, training, qualifying, and upgrading minorities and women;

b. The contractors and subcontractors will submit an annual report to the contracting agency each July for the duration of the project, indicating the number of minority, women, and non-minority group employees currently engaged in each work classification required by the contract work. This information is to be reported on [Form FHWA-1391](#). The staffing data should represent the project work force on board in all or any part of the last payroll period preceding the end of July. If on-the-job training is being required by special provision, the contractor



will be required to collect and report training data. The employment data should reflect the work force on board during all or any part of the last payroll period preceding the end of July.

### III. NONSEGREGATED FACILITIES

This provision is applicable to all Federal-aid construction contracts and to all related construction subcontracts of \$10,000 or more.

The contractor must ensure that facilities provided for employees are provided in such a manner that segregation on the basis of race, color, religion, sex, or national origin cannot result. The contractor may neither require such segregated use by written or oral policies nor tolerate such use by employee custom. The contractor's obligation extends further to ensure that its employees are not assigned to perform their services at any location, under the contractor's control, where the facilities are segregated. The term "facilities" includes waiting rooms, work areas, restaurants and other eating areas, time clocks, restrooms, washrooms, locker rooms, and other storage or dressing areas, parking lots, drinking fountains, recreation or entertainment areas, transportation, and housing provided for employees. The contractor shall provide separate or single-user restrooms and necessary dressing or sleeping areas to assure privacy between sexes.

### IV. DAVIS-BACON AND RELATED ACT PROVISIONS

This section is applicable to all Federal-aid construction projects exceeding \$2,000 and to all related subcontracts and lower-tier subcontracts (regardless of subcontract size). The requirements apply to all projects located within the right-of-way of a roadway that is functionally classified as Federal-aid highway. This excludes roadways functionally classified as local roads or rural minor collectors, which are exempt. Contracting agencies may elect to apply these requirements to other projects.

The following provisions are from the U.S. Department of Labor regulations in 29 CFR 5.5 "Contract provisions and related matters" with minor revisions to conform to the FHWA-1273 format and FHWA program requirements.

#### 1. Minimum wages

a. All laborers and mechanics employed or working upon the site of the work, will be paid unconditionally and not less often than once a week, and without subsequent deduction or rebate on any account (except such payroll deductions as are permitted by regulations issued by the Secretary of Labor under the Copeland Act (29 CFR part 3)), the full amount of wages and bona fide fringe benefits (or cash equivalents thereof) due at time of payment computed at rates not less than those contained in the wage determination of the Secretary of Labor which is attached hereto and made a part hereof, regardless of any contractual relationship which may be alleged to exist between the contractor and such laborers and mechanics.

Contributions made or costs reasonably anticipated for bona fide fringe benefits under section 1(b)(2) of the Davis-Bacon Act on behalf of laborers or mechanics are considered wages

paid to such laborers or mechanics, subject to the provisions of paragraph 1.d. of this section; also, regular contributions made or costs incurred for more than a weekly period (but not less often than quarterly) under plans, funds, or programs which cover the particular weekly period, are deemed to be constructively made or incurred during such weekly period. Such laborers and mechanics shall be paid the appropriate wage rate and fringe benefits on the wage determination for the classification of work actually performed, without regard to skill, except as provided in 29 CFR 5.5(a)(4). Laborers or mechanics performing work in more than one classification may be compensated at the rate specified for each classification for the time actually worked therein: Provided, That the employer's payroll records accurately set forth the time spent in each classification in which work is performed. The wage determination (including any additional classification and wage rates conformed under paragraph 1.b. of this section) and the Davis-Bacon poster (WH-1321) shall be posted at all times by the contractor and its subcontractors at the site of the work in a prominent and accessible place where it can be easily seen by the workers.

b. (1) The contracting officer shall require that any class of laborers or mechanics, including helpers, which is not listed in the wage determination and which is to be employed under the contract shall be classified in conformance with the wage determination. The contracting officer shall approve an additional classification and wage rate and fringe benefits therefore only when the following criteria have been met:

(i) The work to be performed by the classification requested is not performed by a classification in the wage determination; and

(ii) The classification is utilized in the area by the construction industry; and

(iii) The proposed wage rate, including any bona fide fringe benefits, bears a reasonable relationship to the wage rates contained in the wage determination.

(2) If the contractor and the laborers and mechanics to be employed in the classification (if known), or their representatives, and the contracting officer agree on the classification and wage rate (including the amount designated for fringe benefits where appropriate), a report of the action taken shall be sent by the contracting officer to the Administrator of the Wage and Hour Division, Employment Standards Administration, U.S. Department of Labor, Washington, DC 20210. The Administrator, or an authorized representative, will approve, modify, or disapprove every additional classification action within 30 days of receipt and so advise the contracting officer or will notify the contracting officer within the 30-day period that additional time is necessary.

(3) In the event the contractor, the laborers or mechanics to be employed in the classification or their representatives, and the contracting officer do not agree on the proposed classification and wage rate (including the amount designated for fringe benefits, where appropriate), the contracting officer shall refer the questions, including the views of all interested parties and the recommendation of the contracting officer, to the Wage and Hour Administrator for determination. The Wage and Hour Administrator, or an authorized representative, will issue a determination within 30 days of receipt and so advise

the contracting officer or will notify the contracting officer within the 30-day period that additional time is necessary.

(4) The wage rate (including fringe benefits where appropriate) determined pursuant to paragraphs 1.b.(2) or 1.b.(3) of this section, shall be paid to all workers performing work in the classification under this contract from the first day on which work is performed in the classification.

c. Whenever the minimum wage rate prescribed in the contract for a class of laborers or mechanics includes a fringe benefit which is not expressed as an hourly rate, the contractor shall either pay the benefit as stated in the wage determination or shall pay another bona fide fringe benefit or an hourly cash equivalent thereof.

d. If the contractor does not make payments to a trustee or other third person, the contractor may consider as part of the wages of any laborer or mechanic the amount of any costs reasonably anticipated in providing bona fide fringe benefits under a plan or program, Provided, That the Secretary of Labor has found, upon the written request of the contractor, that the applicable standards of the Davis-Bacon Act have been met. The Secretary of Labor may require the contractor to set aside in a separate account assets for the meeting of obligations under the plan or program.

## 2. Withholding

The contracting agency shall upon its own action or upon written request of an authorized representative of the Department of Labor, withhold or cause to be withheld from the contractor under this contract, or any other Federal contract with the same prime contractor, or any other federally-assisted contract subject to Davis-Bacon prevailing wage requirements, which is held by the same prime contractor, so much of the accrued payments or advances as may be considered necessary to pay laborers and mechanics, including apprentices, trainees, and helpers, employed by the contractor or any subcontractor the full amount of wages required by the contract. In the event of failure to pay any laborer or mechanic, including any apprentice, trainee, or helper, employed or working on the site of the work, all or part of the wages required by the contract, the contracting agency may, after written notice to the contractor, take such action as may be necessary to cause the suspension of any further payment, advance, or guarantee of funds until such violations have ceased.

## 3. Payrolls and basic records

a. Payrolls and basic records relating thereto shall be maintained by the contractor during the course of the work and preserved for a period of three years thereafter for all laborers and mechanics working at the site of the work. Such records shall contain the name, address, and social security number of each such worker, his or her correct classification, hourly rates of wages paid (including rates of contributions or costs anticipated for bona fide fringe benefits or cash equivalents thereof of the types described in section 1(b)(2)(B) of the Davis-Bacon Act), daily and weekly number of hours worked, deductions made and actual wages paid. Whenever the Secretary of Labor has found under 29 CFR 5.5(a)(1)(iv) that the wages of any laborer or mechanic include the amount of any costs reasonably anticipated in providing benefits under a plan or program described in section 1(b)(2)(B) of the Davis-

Bacon Act, the contractor shall maintain records which show that the commitment to provide such benefits is enforceable, that the plan or program is financially responsible, and that the plan or program has been communicated in writing to the laborers or mechanics affected, and records which show the costs anticipated or the actual cost incurred in providing such benefits. Contractors employing apprentices or trainees under approved programs shall maintain written evidence of the registration of apprenticeship programs and certification of trainee programs, the registration of the apprentices and trainees, and the ratios and wage rates prescribed in the applicable programs.

b. (1) The contractor shall submit weekly for each week in which any contract work is performed a copy of all payrolls to the contracting agency. The payrolls submitted shall set out accurately and completely all of the information required to be maintained under 29 CFR 5.5(a)(3)(i), except that full social security numbers and home addresses shall not be included on weekly transmittals. Instead the payrolls shall only need to include an individually identifying number for each employee ( e.g. , the last four digits of the employee's social security number). The required weekly payroll information may be submitted in any form desired. Optional Form WH-347 is available for this purpose from the Wage and Hour Division Web site at <http://www.dol.gov/esa/whd/forms/wh347instr.htm> or its successor site. The prime contractor is responsible for the submission of copies of payrolls by all subcontractors. Contractors and subcontractors shall maintain the full social security number and current address of each covered worker, and shall provide them upon request to the contracting agency for transmission to the State DOT, the FHWA or the Wage and Hour Division of the Department of Labor for purposes of an investigation or audit of compliance with prevailing wage requirements. It is not a violation of this section for a prime contractor to require a subcontractor to provide addresses and social security numbers to the prime contractor for its own records, without weekly submission to the contracting agency..

(2) Each payroll submitted shall be accompanied by a "Statement of Compliance," signed by the contractor or subcontractor or his or her agent who pays or supervises the payment of the persons employed under the contract and shall certify the following:

(i) That the payroll for the payroll period contains the information required to be provided under §5.5 (a)(3)(ii) of Regulations, 29 CFR part 5, the appropriate information is being maintained under §5.5 (a)(3)(i) of Regulations, 29 CFR part 5, and that such information is correct and complete;

(ii) That each laborer or mechanic (including each helper, apprentice, and trainee) employed on the contract during the payroll period has been paid the full weekly wages earned, without rebate, either directly or indirectly, and that no deductions have been made either directly or indirectly from the full wages earned, other than permissible deductions as set forth in Regulations, 29 CFR part 3;

(iii) That each laborer or mechanic has been paid not less than the applicable wage rates and fringe benefits or cash equivalents for the classification of work performed, as specified in the applicable wage determination incorporated into the contract.

(3) The weekly submission of a properly executed certification set forth on the reverse side of Optional Form WH-347 shall satisfy the requirement for submission of the "Statement of Compliance" required by paragraph 3.b.(2) of this section.

(4) The falsification of any of the above certifications may subject the contractor or subcontractor to civil or criminal prosecution under section 1001 of title 18 and section 231 of title 31 of the United States Code.

c. The contractor or subcontractor shall make the records required under paragraph 3.a. of this section available for inspection, copying, or transcription by authorized representatives of the contracting agency, the State DOT, the FHWA, or the Department of Labor, and shall permit such representatives to interview employees during working hours on the job. If the contractor or subcontractor fails to submit the required records or to make them available, the FHWA may, after written notice to the contractor, the contracting agency or the State DOT, take such action as may be necessary to cause the suspension of any further payment, advance, or guarantee of funds. Furthermore, failure to submit the required records upon request or to make such records available may be grounds for debarment action pursuant to 29 CFR 5.12.

#### 4. Apprentices and trainees

##### a. Apprentices (programs of the USDOL).

Apprentices will be permitted to work at less than the predetermined rate for the work they performed when they are employed pursuant to and individually registered in a bona fide apprenticeship program registered with the U.S. Department of Labor, Employment and Training Administration, Office of Apprenticeship Training, Employer and Labor Services, or with a State Apprenticeship Agency recognized by the Office, or if a person is employed in his or her first 90 days of probationary employment as an apprentice in such an apprenticeship program, who is not individually registered in the program, but who has been certified by the Office of Apprenticeship Training, Employer and Labor Services or a State Apprenticeship Agency (where appropriate) to be eligible for probationary employment as an apprentice.

The allowable ratio of apprentices to journeymen on the job site in any craft classification shall not be greater than the ratio permitted to the contractor as to the entire work force under the registered program. Any worker listed on a payroll at an apprentice wage rate, who is not registered or otherwise employed as stated above, shall be paid not less than the applicable wage rate on the wage determination for the classification of work actually performed. In addition, any apprentice performing work on the job site in excess of the ratio permitted under the registered program shall be paid not less than the applicable wage rate on the wage determination for the work actually performed. Where a contractor is performing construction on a project in a locality other than that in which its program is registered, the ratios and wage rates (expressed in percentages of the journeyman's hourly rate) specified in the contractor's or subcontractor's registered program shall be observed.

Every apprentice must be paid at not less than the rate specified in the registered program for the apprentice's level of progress, expressed as a percentage of the journeymen hourly

rate specified in the applicable wage determination. Apprentices shall be paid fringe benefits in accordance with the provisions of the apprenticeship program. If the apprenticeship program does not specify fringe benefits, apprentices must be paid the full amount of fringe benefits listed on the wage determination for the applicable classification. If the Administrator determines that a different practice prevails for the applicable apprentice classification, fringes shall be paid in accordance with that determination.

In the event the Office of Apprenticeship Training, Employer and Labor Services, or a State Apprenticeship Agency recognized by the Office, withdraws approval of an apprenticeship program, the contractor will no longer be permitted to utilize apprentices at less than the applicable predetermined rate for the work performed until an acceptable program is approved.

##### b. Trainees (programs of the USDOL).

Except as provided in 29 CFR 5.16, trainees will not be permitted to work at less than the predetermined rate for the work performed unless they are employed pursuant to and individually registered in a program which has received prior approval, evidenced by formal certification by the U.S. Department of Labor, Employment and Training Administration.

The ratio of trainees to journeymen on the job site shall not be greater than permitted under the plan approved by the Employment and Training Administration.

Every trainee must be paid at not less than the rate specified in the approved program for the trainee's level of progress, expressed as a percentage of the journeyman hourly rate specified in the applicable wage determination. Trainees shall be paid fringe benefits in accordance with the provisions of the trainee program. If the trainee program does not mention fringe benefits, trainees shall be paid the full amount of fringe benefits listed on the wage determination unless the Administrator of the Wage and Hour Division determines that there is an apprenticeship program associated with the corresponding journeyman wage rate on the wage determination which provides for less than full fringe benefits for apprentices. Any employee listed on the payroll at a trainee rate who is not registered and participating in a training plan approved by the Employment and Training Administration shall be paid not less than the applicable wage rate on the wage determination for the classification of work actually performed. In addition, any trainee performing work on the job site in excess of the ratio permitted under the registered program shall be paid not less than the applicable wage rate on the wage determination for the work actually performed.

In the event the Employment and Training Administration withdraws approval of a training program, the contractor will no longer be permitted to utilize trainees at less than the applicable predetermined rate for the work performed until an acceptable program is approved.

c. Equal employment opportunity. The utilization of apprentices, trainees and journeymen under this part shall be in conformity with the equal employment opportunity requirements of Executive Order 11246, as amended, and 29 CFR part 30.

d. Apprentices and Trainees (programs of the U.S. DOT).

Apprentices and trainees working under apprenticeship and skill training programs which have been certified by the Secretary of Transportation as promoting EEO in connection with Federal-aid highway construction programs are not subject to the requirements of paragraph 4 of this Section IV. The straight time hourly wage rates for apprentices and trainees under such programs will be established by the particular programs. The ratio of apprentices and trainees to journeymen shall not be greater than permitted by the terms of the particular program.

**5. Compliance with Copeland Act requirements.** The contractor shall comply with the requirements of 29 CFR part 3, which are incorporated by reference in this contract.

**6. Subcontracts.** The contractor or subcontractor shall insert Form FHWA-1273 in any subcontracts and also require the subcontractors to include Form FHWA-1273 in any lower tier subcontracts. The prime contractor shall be responsible for the compliance by any subcontractor or lower tier subcontractor with all the contract clauses in 29 CFR 5.5.

**7. Contract termination: debarment.** A breach of the contract clauses in 29 CFR 5.5 may be grounds for termination of the contract, and for debarment as a contractor and a subcontractor as provided in 29 CFR 5.12.

**8. Compliance with Davis-Bacon and Related Act requirements.** All rulings and interpretations of the Davis-Bacon and Related Acts contained in 29 CFR parts 1, 3, and 5 are herein incorporated by reference in this contract.

**9. Disputes concerning labor standards.** Disputes arising out of the labor standards provisions of this contract shall not be subject to the general disputes clause of this contract. Such disputes shall be resolved in accordance with the procedures of the Department of Labor set forth in 29 CFR parts 5, 6, and 7. Disputes within the meaning of this clause include disputes between the contractor (or any of its subcontractors) and the contracting agency, the U.S. Department of Labor, or the employees or their representatives.

**10. Certification of eligibility.**

a. By entering into this contract, the contractor certifies that neither it (nor he or she) nor any person or firm who has an interest in the contractor's firm is a person or firm ineligible to be awarded Government contracts by virtue of section 3(a) of the Davis-Bacon Act or 29 CFR 5.12(a)(1).

b. No part of this contract shall be subcontracted to any person or firm ineligible for award of a Government contract by virtue of section 3(a) of the Davis-Bacon Act or 29 CFR 5.12(a)(1).

c. The penalty for making false statements is prescribed in the U.S. Criminal Code, 18 U.S.C. 1001.

**V. CONTRACT WORK HOURS AND SAFETY STANDARDS ACT**

The following clauses apply to any Federal-aid construction contract in an amount in excess of \$100,000 and subject to the overtime provisions of the Contract Work Hours and Safety Standards Act. These clauses shall be inserted in addition to the clauses required by 29 CFR 5.5(a) or 29 CFR 4.6. As used in this paragraph, the terms laborers and mechanics include watchmen and guards.

**1. Overtime requirements.** No contractor or subcontractor contracting for any part of the contract work which may require or involve the employment of laborers or mechanics shall require or permit any such laborer or mechanic in any workweek in which he or she is employed on such work to work in excess of forty hours in such workweek unless such laborer or mechanic receives compensation at a rate not less than one and one-half times the basic rate of pay for all hours worked in excess of forty hours in such workweek.

**2. Violation; liability for unpaid wages; liquidated damages.** In the event of any violation of the clause set forth in paragraph (1.) of this section, the contractor and any subcontractor responsible therefor shall be liable for the unpaid wages. In addition, such contractor and subcontractor shall be liable to the United States (in the case of work done under contract for the District of Columbia or a territory, to such District or to such territory), for liquidated damages. Such liquidated damages shall be computed with respect to each individual laborer or mechanic, including watchmen and guards, employed in violation of the clause set forth in paragraph (1.) of this section, in the sum of \$10 for each calendar day on which such individual was required or permitted to work in excess of the standard workweek of forty hours without payment of the overtime wages required by the clause set forth in paragraph (1.) of this section.

**3. Withholding for unpaid wages and liquidated damages.** The FHWA or the contacting agency shall upon its own action or upon written request of an authorized representative of the Department of Labor withhold or cause to be withheld, from any moneys payable on account of work performed by the contractor or subcontractor under any such contract or any other Federal contract with the same prime contractor, or any other federally-assisted contract subject to the Contract Work Hours and Safety Standards Act, which is held by the same prime contractor, such sums as may be determined to be necessary to satisfy any liabilities of such contractor or subcontractor for unpaid wages and liquidated damages as provided in the clause set forth in paragraph (2.) of this section.

**4. Subcontracts.** The contractor or subcontractor shall insert in any subcontracts the clauses set forth in paragraph (1.) through (4.) of this section and also a clause requiring the subcontractors to include these clauses in any lower tier subcontracts. The prime contractor shall be responsible for compliance by any subcontractor or lower tier subcontractor with the clauses set forth in paragraphs (1.) through (4.) of this section.

## VI. SUBLETTING OR ASSIGNING THE CONTRACT

This provision is applicable to all Federal-aid construction contracts on the National Highway System.

1. The contractor shall perform with its own organization contract work amounting to not less than 30 percent (or a greater percentage if specified elsewhere in the contract) of the total original contract price, excluding any specialty items designated by the contracting agency. Specialty items may be performed by subcontract and the amount of any such specialty items performed may be deducted from the total original contract price before computing the amount of work required to be performed by the contractor's own organization (23 CFR 635.116).

a. The term "perform work with its own organization" refers to workers employed or leased by the prime contractor, and equipment owned or rented by the prime contractor, with or without operators. Such term does not include employees or equipment of a subcontractor or lower tier subcontractor, agents of the prime contractor, or any other assignees. The term may include payments for the costs of hiring leased employees from an employee leasing firm meeting all relevant Federal and State regulatory requirements. Leased employees may only be included in this term if the prime contractor meets all of the following conditions:

(1) the prime contractor maintains control over the supervision of the day-to-day activities of the leased employees;

(2) the prime contractor remains responsible for the quality of the work of the leased employees;

(3) the prime contractor retains all power to accept or exclude individual employees from work on the project; and

(4) the prime contractor remains ultimately responsible for the payment of predetermined minimum wages, the submission of payrolls, statements of compliance and all other Federal regulatory requirements.

b. "Specialty Items" shall be construed to be limited to work that requires highly specialized knowledge, abilities, or equipment not ordinarily available in the type of contracting organizations qualified and expected to bid or propose on the contract as a whole and in general are to be limited to minor components of the overall contract.

2. The contract amount upon which the requirements set forth in paragraph (1) of Section VI is computed includes the cost of material and manufactured products which are to be purchased or produced by the contractor under the contract provisions.

3. The contractor shall furnish (a) a competent superintendent or supervisor who is employed by the firm, has full authority to direct performance of the work in accordance with the contract requirements, and is in charge of all construction operations (regardless of who performs the work) and (b) such other of its own organizational resources (supervision, management, and engineering services) as the contracting officer determines is necessary to assure the performance of the contract.

4. No portion of the contract shall be sublet, assigned or otherwise disposed of except with the written consent of the contracting officer, or authorized representative, and such consent when given shall not be construed to relieve the contractor of any responsibility for the fulfillment of the contract. Written consent will be given only after the

contracting agency has assured that each subcontract is evidenced in writing and that it contains all pertinent provisions and requirements of the prime contract.

5. The 30% self-performance requirement of paragraph (1) is not applicable to design-build contracts; however, contracting agencies may establish their own self-performance requirements.

## VII. SAFETY: ACCIDENT PREVENTION

This provision is applicable to all Federal-aid construction contracts and to all related subcontracts.

1. In the performance of this contract the contractor shall comply with all applicable Federal, State, and local laws governing safety, health, and sanitation (23 CFR 635). The contractor shall provide all safeguards, safety devices and protective equipment and take any other needed actions as it determines, or as the contracting officer may determine, to be reasonably necessary to protect the life and health of employees on the job and the safety of the public and to protect property in connection with the performance of the work covered by the contract.

2. It is a condition of this contract, and shall be made a condition of each subcontract, which the contractor enters into pursuant to this contract, that the contractor and any subcontractor shall not permit any employee, in performance of the contract, to work in surroundings or under conditions which are unsanitary, hazardous or dangerous to his/her health or safety, as determined under construction safety and health standards (29 CFR 1926) promulgated by the Secretary of Labor, in accordance with Section 107 of the Contract Work Hours and Safety Standards Act (40 U.S.C. 3704).

3. Pursuant to 29 CFR 1926.3, it is a condition of this contract that the Secretary of Labor or authorized representative thereof, shall have right of entry to any site of contract performance to inspect or investigate the matter of compliance with the construction safety and health standards and to carry out the duties of the Secretary under Section 107 of the Contract Work Hours and Safety Standards Act (40 U.S.C.3704).

## VIII. FALSE STATEMENTS CONCERNING HIGHWAY PROJECTS

This provision is applicable to all Federal-aid construction contracts and to all related subcontracts.

In order to assure high quality and durable construction in conformity with approved plans and specifications and a high degree of reliability on statements and representations made by engineers, contractors, suppliers, and workers on Federal-aid highway projects, it is essential that all persons concerned with the project perform their functions as carefully, thoroughly, and honestly as possible. Willful falsification, distortion, or misrepresentation with respect to any facts related to the project is a violation of Federal law. To prevent any misunderstanding regarding the seriousness of these and similar acts, Form FHWA-1022 shall be posted on each Federal-aid highway project (23 CFR 635) in one or more places where it is readily available to all persons concerned with the project:

18 U.S.C. 1020 reads as follows:

"Whoever, being an officer, agent, or employee of the United States, or of any State or Territory, or whoever, whether a person, association, firm, or corporation, knowingly makes any false statement, false representation, or false report as to the character, quality, quantity, or cost of the material used or to be used, or the quantity or quality of the work performed or to be performed, or the cost thereof in connection with the submission of plans, maps, specifications, contracts, or costs of construction on any highway or related project submitted for approval to the Secretary of Transportation; or

Whoever knowingly makes any false statement, false representation, false report or false claim with respect to the character, quality, quantity, or cost of any work performed or to be performed, or materials furnished or to be furnished, in connection with the construction of any highway or related project approved by the Secretary of Transportation; or

Whoever knowingly makes any false statement or false representation as to material fact in any statement, certificate, or report submitted pursuant to provisions of the Federal-aid Roads Act approved July 1, 1916, (39 Stat. 355), as amended and supplemented;

Shall be fined under this title or imprisoned not more than 5 years or both."

#### **IX. IMPLEMENTATION OF CLEAN AIR ACT AND FEDERAL WATER POLLUTION CONTROL ACT**

This provision is applicable to all Federal-aid construction contracts and to all related subcontracts.

By submission of this bid/proposal or the execution of this contract, or subcontract, as appropriate, the bidder, proposer, Federal-aid construction contractor, or subcontractor, as appropriate, will be deemed to have stipulated as follows:

1. That any person who is or will be utilized in the performance of this contract is not prohibited from receiving an award due to a violation of Section 508 of the Clean Water Act or Section 306 of the Clean Air Act.

2. That the contractor agrees to include or cause to be included the requirements of paragraph (1) of this Section X in every subcontract, and further agrees to take such action as the contracting agency may direct as a means of enforcing such requirements.

#### **X. CERTIFICATION REGARDING DEBARMENT, SUSPENSION, INELIGIBILITY AND VOLUNTARY EXCLUSION**

This provision is applicable to all Federal-aid construction contracts, design-build contracts, subcontracts, lower-tier subcontracts, purchase orders, lease agreements, consultant contracts or any other covered transaction requiring FHWA approval or that is estimated to cost \$25,000 or more – as defined in 2 CFR Parts 180 and 1200.

##### **1. Instructions for Certification – First Tier Participants:**

a. By signing and submitting this proposal, the prospective first tier participant is providing the certification set out below.

b. The inability of a person to provide the certification set out below will not necessarily result in denial of participation in this

covered transaction. The prospective first tier participant shall submit an explanation of why it cannot provide the certification set out below. The certification or explanation will be considered in connection with the department or agency's determination whether to enter into this transaction. However, failure of the prospective first tier participant to furnish a certification or an explanation shall disqualify such a person from participation in this transaction.

c. The certification in this clause is a material representation of fact upon which reliance was placed when the contracting agency determined to enter into this transaction. If it is later determined that the prospective participant knowingly rendered an erroneous certification, in addition to other remedies available to the Federal Government, the contracting agency may terminate this transaction for cause of default.

d. The prospective first tier participant shall provide immediate written notice to the contracting agency to whom this proposal is submitted if any time the prospective first tier participant learns that its certification was erroneous when submitted or has become erroneous by reason of changed circumstances.

e. The terms "covered transaction," "debarred," "suspended," "ineligible," "participant," "person," "principal," and "voluntarily excluded," as used in this clause, are defined in 2 CFR Parts 180 and 1200. "First Tier Covered Transactions" refers to any covered transaction between a grantee or subgrantee of Federal funds and a participant (such as the prime or general contractor). "Lower Tier Covered Transactions" refers to any covered transaction under a First Tier Covered Transaction (such as subcontracts). "First Tier Participant" refers to the participant who has entered into a covered transaction with a grantee or subgrantee of Federal funds (such as the prime or general contractor). "Lower Tier Participant" refers any participant who has entered into a covered transaction with a First Tier Participant or other Lower Tier Participants (such as subcontractors and suppliers).

f. The prospective first tier participant agrees by submitting this proposal that, should the proposed covered transaction be entered into, it shall not knowingly enter into any lower tier covered transaction with a person who is debarred, suspended, declared ineligible, or voluntarily excluded from participation in this covered transaction, unless authorized by the department or agency entering into this transaction.

g. The prospective first tier participant further agrees by submitting this proposal that it will include the clause titled "Certification Regarding Debarment, Suspension, Ineligibility and Voluntary Exclusion-Lower Tier Covered Transactions," provided by the department or contracting agency, entering into this covered transaction, without modification, in all lower tier covered transactions and in all solicitations for lower tier covered transactions exceeding the \$25,000 threshold.

h. A participant in a covered transaction may rely upon a certification of a prospective participant in a lower tier covered transaction that is not debarred, suspended, ineligible, or voluntarily excluded from the covered transaction, unless it knows that the certification is erroneous. A participant is responsible for ensuring that its principals are not suspended, debarred, or otherwise ineligible to participate in covered transactions. To verify the eligibility of its principals, as well as the eligibility of any lower tier prospective participants, each participant may, but is not required to, check the Excluded Parties List System website (<https://www.epls.gov/>), which is compiled by the General Services Administration.

i. Nothing contained in the foregoing shall be construed to require the establishment of a system of records in order to render in good faith the certification required by this clause. The knowledge and information of the prospective participant is not required to exceed that which is normally possessed by a prudent person in the ordinary course of business dealings.

j. Except for transactions authorized under paragraph (f) of these instructions, if a participant in a covered transaction knowingly enters into a lower tier covered transaction with a person who is suspended, debarred, ineligible, or voluntarily excluded from participation in this transaction, in addition to other remedies available to the Federal Government, the department or agency may terminate this transaction for cause or default.

\* \* \* \* \*

## **2. Certification Regarding Debarment, Suspension, Ineligibility and Voluntary Exclusion – First Tier Participants:**

a. The prospective first tier participant certifies to the best of its knowledge and belief, that it and its principals:

(1) Are not presently debarred, suspended, proposed for debarment, declared ineligible, or voluntarily excluded from participating in covered transactions by any Federal department or agency;

(2) Have not within a three-year period preceding this proposal been convicted of or had a civil judgment rendered against them for commission of fraud or a criminal offense in connection with obtaining, attempting to obtain, or performing a public (Federal, State or local) transaction or contract under a public transaction; violation of Federal or State antitrust statutes or commission of embezzlement, theft, forgery, bribery, falsification or destruction of records, making false statements, or receiving stolen property;

(3) Are not presently indicted for or otherwise criminally or civilly charged by a governmental entity (Federal, State or local) with commission of any of the offenses enumerated in paragraph (a)(2) of this certification; and

(4) Have not within a three-year period preceding this application/proposal had one or more public transactions (Federal, State or local) terminated for cause or default.

b. Where the prospective participant is unable to certify to any of the statements in this certification, such prospective participant shall attach an explanation to this proposal.

### **2. Instructions for Certification - Lower Tier Participants:**

(Applicable to all subcontracts, purchase orders and other lower tier transactions requiring prior FHWA approval or estimated to cost \$25,000 or more - 2 CFR Parts 180 and 1200)

a. By signing and submitting this proposal, the prospective lower tier is providing the certification set out below.

b. The certification in this clause is a material representation of fact upon which reliance was placed when this transaction was entered into. If it is later determined that the prospective lower tier participant knowingly rendered an erroneous certification, in addition to other remedies available to the Federal Government, the department, or agency with which

this transaction originated may pursue available remedies, including suspension and/or debarment.

c. The prospective lower tier participant shall provide immediate written notice to the person to which this proposal is submitted if at any time the prospective lower tier participant learns that its certification was erroneous by reason of changed circumstances.

d. The terms "covered transaction," "debarred," "suspended," "ineligible," "participant," "person," "principal," and "voluntarily excluded," as used in this clause, are defined in 2 CFR Parts 180 and 1200. You may contact the person to which this proposal is submitted for assistance in obtaining a copy of those regulations. "First Tier Covered Transactions" refers to any covered transaction between a grantee or subgrantee of Federal funds and a participant (such as the prime or general contract). "Lower Tier Covered Transactions" refers to any covered transaction under a First Tier Covered Transaction (such as subcontracts). "First Tier Participant" refers to the participant who has entered into a covered transaction with a grantee or subgrantee of Federal funds (such as the prime or general contractor). "Lower Tier Participant" refers any participant who has entered into a covered transaction with a First Tier Participant or other Lower Tier Participants (such as subcontractors and suppliers).

e. The prospective lower tier participant agrees by submitting this proposal that, should the proposed covered transaction be entered into, it shall not knowingly enter into any lower tier covered transaction with a person who is debarred, suspended, declared ineligible, or voluntarily excluded from participation in this covered transaction, unless authorized by the department or agency with which this transaction originated.

f. The prospective lower tier participant further agrees by submitting this proposal that it will include this clause titled "Certification Regarding Debarment, Suspension, Ineligibility and Voluntary Exclusion-Lower Tier Covered Transaction," without modification, in all lower tier covered transactions and in all solicitations for lower tier covered transactions exceeding the \$25,000 threshold.

g. A participant in a covered transaction may rely upon a certification of a prospective participant in a lower tier covered transaction that is not debarred, suspended, ineligible, or voluntarily excluded from the covered transaction, unless it knows that the certification is erroneous. A participant is responsible for ensuring that its principals are not suspended, debarred, or otherwise ineligible to participate in covered transactions. To verify the eligibility of its principals, as well as the eligibility of any lower tier prospective participants, each participant may, but is not required to, check the Excluded Parties List System website (<https://www.epls.gov/>), which is compiled by the General Services Administration.

h. Nothing contained in the foregoing shall be construed to require establishment of a system of records in order to render in good faith the certification required by this clause. The knowledge and information of participant is not required to exceed that which is normally possessed by a prudent person in the ordinary course of business dealings.

i. Except for transactions authorized under paragraph e of these instructions, if a participant in a covered transaction knowingly enters into a lower tier covered transaction with a person who is suspended, debarred, ineligible, or voluntarily excluded from participation in this transaction, in addition to other remedies available to the Federal Government, the

department or agency with which this transaction originated may pursue available remedies, including suspension and/or debarment.

\* \* \* \* \*

**Certification Regarding Debarment, Suspension, Ineligibility and Voluntary Exclusion--Lower Tier Participants:**

1. The prospective lower tier participant certifies, by submission of this proposal, that neither it nor its principals is presently debarred, suspended, proposed for debarment, declared ineligible, or voluntarily excluded from participating in covered transactions by any Federal department or agency.

2. Where the prospective lower tier participant is unable to certify to any of the statements in this certification, such prospective participant shall attach an explanation to this proposal.

\* \* \* \* \*

**XI. CERTIFICATION REGARDING USE OF CONTRACT FUNDS FOR LOBBYING**

This provision is applicable to all Federal-aid construction contracts and to all related subcontracts which exceed \$100,000 (49 CFR 20).

1. The prospective participant certifies, by signing and submitting this bid or proposal, to the best of his or her knowledge and belief, that:

a. No Federal appropriated funds have been paid or will be paid, by or on behalf of the undersigned, to any person for influencing or attempting to influence an officer or employee of any Federal agency, a Member of Congress, an officer or employee of Congress, or an employee of a Member of Congress in connection with the awarding of any Federal contract, the making of any Federal grant, the making of any Federal loan, the entering into of any cooperative agreement, and the extension, continuation, renewal, amendment, or modification of any Federal contract, grant, loan, or cooperative agreement.

b. If any funds other than Federal appropriated funds have been paid or will be paid to any person for influencing or attempting to influence an officer or employee of any Federal agency, a Member of Congress, an officer or employee of Congress, or an employee of a Member of Congress in connection with this Federal contract, grant, loan, or cooperative agreement, the undersigned shall complete and submit Standard Form-LLL, "Disclosure Form to Report Lobbying," in accordance with its instructions.

2. This certification is a material representation of fact upon which reliance was placed when this transaction was made or entered into. Submission of this certification is a prerequisite for making or entering into this transaction imposed by 31 U.S.C. 1352. Any person who fails to file the required certification shall be subject to a civil penalty of not less than \$10,000 and not more than \$100,000 for each such failure.

3. The prospective participant also agrees by submitting its bid or proposal that the participant shall require that the language of this certification be included in all lower tier subcontracts, which exceed \$100,000 and that all such recipients shall certify and disclose accordingly.



**NOTICE OF REQUIREMENTS FOR AFFIRMATIVE  
ACTION TO ENSURE EQUAL EMPLOYMENT  
OPPORTUNITY (EXECUTIVE ORDER 11246)**

1. The Offeror's or Bidder's attention is called to the "Equal Opportunity Clause" and the "Standard Federal Equal Employment Opportunity Construction Contract Specifications" set forth herein.

2. The goal for female participation, expressed in percentage terms for the Contractor's aggregate workforce in each trade on all construction work, is 6.9%.

Until further notice Goals for minority participation for each trade (percent)

SHSA Cities:  
 Pascagoula - Moss Point ----- 16.9  
 Biloxi - Gulfport ----- 19.2  
 Jackson ----- 30.3

SMSA Counties:  
 Desoto ----- 32.3  
 Hancock, Harrison, Stone ----- 19.2  
 Hinds, Rankin ----- 30.3  
 Jackson ----- 16.9

Non-SMSA Counties:  
 George, Greene ----- 26.4

Alcorn, Benton, Bolivar, Calhoun, Carroll, Chickasaw, Clay, Coahoma, Grenada, Itawamba, Lafayette, Lee, Leflore, Marshall, Monroe, Montgomery, Panola, Pontotoc, Prentiss, Quitman, Sunflower, Tallahatchie, Tate, Tippah, Tishomingo, Tunica, Union, Washington, Webster, Yalobusha ----- 26.5

Attala, Choctaw, Claiborne, Clarke, Copiah, Covington, Franklin, Holmes, Humphreys, Issaquena, Jasper, Jefferson, Jefferson Davis, Jones Kemper, Lauderdale, Lawrence, Leake, Lincoln, Lowndes, Madison, Neshoba, Newton, Noxubee, Oktibbeha, Scott, Sharkey, Simpson, Smith, Warren, Wayne, Winston, Yazoo ----- 32.0

Forrest, Lamar, Marion, Pearl River, Perry, Pike, Walthall ----- 27.7

Adams, Amite, Wilkinson ----- 30.4

These goals are applicable to all the Contractor's construction work (whether or not it is Federal or federally assisted) performed in the covered area. If the contractor performs construction work in a geographical area located outside of the covered area, it shall apply the goals established for such geographical area where the work is actually performed. With regard to this second area, the contractor also is subject to the goals for both its federally involved and nonfederally involved construction.

The Contractor's compliance with the Executive Order and the regulations in CFR Part 60-4 shall be based on its implementation of the Equal Opportunity clause, specific affirmative action obligations required by the specifications set forth in 41 CFR 60-4.3(a), and its efforts to meet the goals. The hours of minority and female employment and training must be substantially uniform throughout the length of the contract, and in each trade, and the Contractor shall make a good faith effort to employ minorities and women evenly on each of its projects. The transfer of minority or female employees or trainees from Contractor to Contractor or from project to project for the sole purpose of meeting the Contractor's goals shall be a violation of the contract, the Executive Order and the regulations in 41 CFR Part 60-4.2(d). Compliance with the goals will be measured against the total work hours performed.

3. The Contractor shall provide written notification to the Director of the Office of Federal Contract Compliance Programs within 10 working days of award of any construction subcontract in excess of \$10,000 at any tier for construction work under the contract resulting from this solicitation. The notification shall list the name, address and telephone number of the subcontractor, employer identification number of the subcontractor, estimated dollar amount of the subcontract; estimated starting and completion dates of the subcontract; and the geographical area in which the subcontract is to be performed.

4. As used in this Notice, and in the contract resulting from this solicitation, the "covered area" is to the county and city (if any), stated in the advertisement.

5. The notification required in Paragraph 3 shall be addressed to the following:

Contract Compliance Officer  
 Mississippi Department of Transportation  
 P.O. Box 1850  
 Jackson, Mississippi 39215-1850

(06/28/2012)

## MISSISSIPPI DEPARTMENT OF TRANSPORTATION

SPECIAL PROVISION NO. 907-101-4

CODE: (IS)

DATE: 11/05/2008

SUBJECT: Definitions

Section 101, Definitions and Terms, of the 2004 Edition of the Mississippi Standard Specifications for Road and Bridge Construction is hereby amended as follows:

**907-101.02--Definitions.** Replace the following definitions in Subsection 101.02 on pages 3 through 13.

**Contract** - The written agreement between the Mississippi Transportation Commission and the Contractor setting forth the obligations of the parties thereunder, including but not limited to, the performance of the work, the furnishing of labor and materials, and the basis of payment.

The contract includes the invitation for bids, proposal, contract form and contract bonds, specifications, supplemental specifications, interim specifications, general and detailed plans, special provisions, notices to bidders, notice to proceed, and also any agreements that are required to complete the construction of the work in an acceptable manner, including authorized extensions thereof, all of which constitute one instrument.

**Contract Bonds** - The approved form of security, executed by the Contractor and the Contractor's Surety(ies), guaranteeing complete execution of the contract and all supplemental agreements pertaining thereto and the payment of all legal debts pertaining to the construction of the project. This term includes Performance and Payment Bond(s).

**Surety** - A corporate body, qualified under the laws of Mississippi, which is bound with and for the successful bidder by "contract bond(s)" to guarantee acceptable performance of the contract and payment of all legal taxes and debts pertaining to the construction of the project, including payment of State Sales Tax as prescribed by law, and any overpayment made to the Contractor.

Add the following to the list of definitions in Subsection 101.02 on pages 3 through 13.

**Performance Bond** - The approved form of security, executed by the Contractor and issued by the Contractor's Surety(ies), guaranteeing satisfactory completion of the contract and all supplemental agreements pertaining thereto.

**Payment Bond** - The approved form of security, executed by the Contractor and issued by the Contractor's Surety(ies), guaranteeing the payment of all legal debts pertaining to the construction of the project including, but not limited to, the labor and materials of subcontractors and suppliers to the prime contractor.

# MISSISSIPPI DEPARTMENT OF TRANSPORTATION

## SUPPLEMENT TO SPECIAL PROVISION NO. 907-102-10

**DATE:** 07/22/2015

**SUBJECT:** Bidding Requirements and Conditions

Delete Subsection 907-102.06 on pages 1 & 2, and substitute the following.

**907-102.06--Preparation of Proposal.** Delete Subsection 102.06 on pages 17 thru 19 and substitute the following.

**907-102.06--Preparation of Proposal.** MDOT will receive bids for construction projects using two methods. Bidders may submit their bids on paper using Trns•port Expedite Bid System (EBS) or online using the Bid Express Service (BIDX).

When submitting on paper using Expedite Bid System, the bidder's complete original proposal shall be submitted upon the forms (Certification of Performance, Certification Regarding Non-Collusion, etc.) furnished by the Department and shall include Expedite Bid printed bid sheets along with the bid data on the MDOT-supplied USB Flash Drive. Expedite Bid System files shall be downloaded from the Department's website <http://mdot.ms.gov>. In case of discrepancy between a unit price and the extension, the unit price will govern and the extension along with the total amount of the proposal will be corrected.

Bid sheets generated by the Department's Electronic Bid System (Trns•port Expedite Bid) along with a completed proposal package (with all forms completed and signed) will constitute the official bid and shall be signed on the second page of Section 905 and delivered to the Department in accordance with the provisions of Subsection 102.09. The bidder's bid data shall be saved on the MDOT-supplied USB Flash Drive and submitted with the bid. Failure to return the USB Flash Drive with bid data will result in an irregular bid. If a Bidder is submitting bids on multiple proposals, the bid data for all proposals can be included on one flash drive and submitted with any of the bid envelopes.

Bidders are cautioned that using other versions of the Expedite Bid may result in improperly printed bid sheets. The correct version of Expedite Bid can be obtained at no cost from the MDOT Contract Administration Division or at the MDOT website, <http://mdot.ms.gov>. The current version of Expedite Bid is also included on the MDOT-supplied USB Flash Drive.

The Expedite Bid generated bid sheets should be stapled together in order beginning with page 1 and included in the bid proposal package in the sealed envelope. Only the Expedite Bid generated sheets will be recognized as the official bid. The MDOT-provided USB Flash Drive containing the information printed on the Expedite Bid generated bid sheets should be placed in the padded envelope included with the bid proposal package and enclosed in the sealed envelope. Bid sheets printed from Expedite Bid should be a representation of the data returned

on the flash drive. To have a true representation of the bid sheets, the Bidder must copy the EBS and EBS amendment files used to prepare the bid sheets to the flash drive. Otherwise, the unit prices bid will not be recorded to the flash drive. Bidders are cautioned that failure to follow proper flash drive handling procedures could result in the Department being unable to process the flash drive. Any modification or manipulation of the data contained on the flash drive, other than entering unit bid prices and completing all required Expedite Bid sections, will not be allowed and will cause the Contractor's bid to be considered irregular.

When using the Bid Express Service, the Bidder's complete proposal (Certification of Performance, Certification Regarding Non-Collusion, etc.) will be submitted to MDOT electronically via the Bid Express Service no later than the day and at the time bids are to be received. Bidders will be responsible for joining Bid Express and getting all necessary clearances and a digital ID in sufficient time for Bid Express to submit their bid.

Bid Express files shall be downloaded from <http://www.bidx.com>. Bidders are to select Mississippi Department of Transportation under the U.S. AGENCY drop down menu and select the desired project. After completing all necessary data, the Bidders shall submit their bid to Bid Express in sufficient time for the bid to be properly sent to MDOT.

Bids submitted via the Bid Express Service will constitute the official bid and shall be digitally signed and delivered to the Department by the Bid Express Service.

It is the responsibility of every bidder to check for any addendum or modification to the contract document(s) for which they intend to submit a response. It shall be the bidder's responsibility to be sure they are in receipt of all addenda, pre-bid conference information, and/or questions and answers provided at, or subsequent to, the pre-bid conference, if any are issued.

The Mississippi Transportation Commission has no responsibility for defects, irregularities or other problems caused by the use of electronic media. Operation of this electronic media is done at the sole risk of the user.

When the bid schedule contains a fixed contract unit price (FCP) for an item, this price shall be the contract unit price for the item and no alteration shall be made by the bidder.

When an item in the proposal contains a choice to be made by the bidder, the bidder shall indicate the choice in accordance with the INSTRUCTION TO BIDDERS in Section 905 - Proposal; reference is made to Alternate Designs, Alternate Items, and Optional Items as defined in Subsection 101.02.

Where the bid schedule lists alternate designs or alternate items, the one alternate bid shall be designated by drawing a line or lines through other listed alternate(s) as provided, and thereafter no further choice will be permitted.

When the bid schedule lists optional items, the Contractor's selection may, but is not required to, be made at the time of bidding. For optional items not pre-selected, the Contractor's selection shall be made prior to or at the time of execution of the contract.

Each proposal issued will contain duplicate Certification regarding debarment, suspension, and other responsibility matters to be completed by the bidder. The Certification must be sworn to and shall be under penalty of perjury and bidders are cautioned to read and understand its contents in entirety before execution.

The Contractor shall provide immediate written notice to the Contract Administration Engineer Division at any time, prior to or after award, that it is known a certification was erroneous when executed or has become erroneous by reason of changed circumstances.

Failure on the part of the bidder to execute the Certification will result in the proposal being rejected.

The bidder's proposal must be signed by the individual, by one or more members of the partnership, by one or more members or officers of each firm representing a joint venture, or by one or more officers of a corporation; or by an agent of the Contractor legally qualified to bind the Contractor and acceptable to the State. If the proposal is made by an individual, the individual's name and address must be shown; by a partnership, the name and address of each partnership member must be shown; as a joint venture, the name and address of each member or officer of the firms represented by the joint venture must be shown; by a corporation, the name of the corporation and the business address of its corporate officials must be shown.

The address stated on the proposal shall be the bidder's permanent address until changed by written notice to the Executive Director. All notices provided for in the contract shall be considered as delivered to the Contractor when mailed or delivered to such address.

## MISSISSIPPI DEPARTMENT OF TRANSPORTATION

**SPECIAL PROVISION NO. 907-102-10**

**CODE: (IS)**

**DATE: 05/01/2013**

**SUBJECT: Bidding Requirements and Conditions**

Section 102, Bidding Requirements and Conditions, of the 2004 Edition of the Mississippi Standard Specifications for Road and Bridge Construction is hereby amended as follows.

**907-102.06--Preparation of Proposal.** Delete the first paragraph of Subsection 102.06 on page 17, and substitute the following.

The bidder's complete original proposal shall be submitted upon the forms (Certification of Performance, Certification Regarding Non-Collusion, etc.) furnished by the Department and shall include Expedite Bid printed bid sheets along with the bid data on the MDOT-supplied USB Flash Drive. Expedite Bid System (EBS) files shall be downloaded from the Department's website <http://mdot.ms.gov>. In case of discrepancy between a unit price and the extension, the unit price will govern and the extension along with the total amount of the proposal will be corrected.

Delete the fifth, sixth, and seventh paragraphs of Subsection 102.06 on page 18, and substitute the following.

Bid sheets generated by the Department's Electronic Bid System (Transport Expedite Bid) along with a completed proposal package (with all forms completed and signed) will constitute the official bid and shall be signed on the last sheet of the Expedite Bid generated bid sheets and delivered to the Department in accordance with the provisions of Subsection 102.09. Bids submitted using any other form, format or means will result in an irregular bid. The bidder's bid data shall be saved on the MDOT-supplied USB Flash Drive and submitted with the bid. Failure to return the USB Flash Drive with bid data will result in an irregular bid. If a Bidder is submitting bids on multiple proposals, the bid data for all proposals can be included on one flash drive and submitted with any of the bid envelopes.

Bidders are cautioned that using other versions of the Expedite Bid may result in improperly printed bid sheets. The correct version of Expedite Bid can be obtained at no cost from the MDOT Contract Administration Division or at the MDOT website, <http://mdot.ms.gov>. The current version of Expedite Bid is also included on the MDOT-supplied USB Flash Drive.

The Expedite Bid generated bid sheets should be stapled together in order beginning with page 1, signed and included in the bid proposal package in the sealed envelope. Only the Expedite Bid generated sheets will be recognized as the official bid. The MDOT-provided USB Flash Drive containing the information printed on the Expedite Bid generated bid sheets should be placed in the padded envelope included with the bid proposal package and enclosed in the sealed envelope. Bid sheets printed from Expedite Bid should be a representation of the data returned on the flash

drive. To have a true representation of the bid sheets, the Bidder must copy the EBS and EBS amendment files used to prepare the bid sheets to the flash drive. Otherwise, the unit prices bid will not be recorded to the flash drive. Bidders are cautioned that failure to follow proper flash drive handling procedures could result in the Department being unable to process the flash drive. Any modification or manipulation of the data contained on the flash drive, other than entering unit bid prices and completing all required Expedite Bid sections, will not be allowed and will cause the Contractor's bid to be considered irregular.

**907-102.08--Proposal Guaranty.** Delete the first and second paragraphs in Subsection 102.08 on page 20 and substitute the following.

No proposal will be considered unless accompanied by certified check, cashier's check or bid bond, made payable to the State of Mississippi, in an amount of not less than five percent (5%) of the total amount of the proposal offered. The guaranty shall be evidence of good faith that, if awarded the contract, the bidder will execute the contract and give performance and payment contract bond(s) as stipulated in Subsection 907-103.05.1, 907-103.05.2, and as required by law.

If a bid bond is offered as guaranty, the bond must be on a form approved by the Executive Director, made by a Surety acceptable to the Executive Director and signed or countersigned by a Mississippi Agent or Qualified Nonresident Agent and the Bidder. Such bid bond shall also conform to the requirements and conditions stipulated in Subsection 907-103.05.2 as applicable.

## MISSISSIPPI DEPARTMENT OF TRANSPORTATION

| SPECIAL PROVISION NO. 907-103-11

CODE: (SP)

| DATE: 07/22/2015

**SUBJECT: Award and Execution of Contract**

Section 103, Award and Execution of Contract, of the 2004 Edition of the Mississippi Standard Specifications for Road and Bridge Construction is hereby amended as follows:

**907-103.04--Return of Proposal Guaranty.** Delete the second paragraph of Subsection 103.04 on page 23 and substitute the following:

Certified checks or cashier's checks submitted as proposal guaranties, except those of the two lowest bidders, will be returned within 10 days of contract award. The retained proposal guaranty of the unsuccessful of the two lowest bidders will be returned within ten days following the execution of a contract with the successful low bidder. The retained proposal guaranty of the successful bidder will be returned after satisfactory performance and payment bonds have been furnished and the contract has been executed.

In the event all bids are rejected by the Commission, certified checks or cashier's checks submitted as proposal guaranty by all bidders will be returned within 10 days of rejection.

Delete Subsection 103.05 on page 23 and substitute the following:

**907-103.05--Contract Bonds.**

**907-103.05.1--Requirement of Contract Bonds.** Prior to the execution of the contract, the successful bidder shall execute and deliver to the Executive Director a performance and payment bond(s), in a sum equal to the full amount of the contract as a guaranty for complete and full performance of the contract and the protection of the claimants and the Department for materials and equipment and full payment of wages in accordance with Section 65-1-85 Miss. Code Ann. (1972 as amended). In the event of award of a joint bid, each individual, partnership, firm or corporation shall assume jointly the full obligations under the contract and the contract bond(s).

**907-103.05.2--Form of Bonds.** The form of bond(s) shall be that provided by or acceptable to the Department. These bonds shall be executed by a Mississippi agent or qualified nonresident agent and shall be accompanied by a certification as to authorization of the attorney-in-fact to commit the Surety company. A power of attorney exhibiting the Surety's original seal supporting the Mississippi agent or the qualified nonresident agent's signature shall be furnished with each bond. The Surety company shall be currently authorized and licensed in good standing to conduct business in the State of Mississippi with a minimum rating by A.M. Best of (A-) in the latest printing "Best's Key Rating Guide" to write individual bonds up to ten percent of the policy holders' surplus or listed on the current list of "Companies Holding Certificates of Authority as Acceptable Sureties on Federal Bonds and as Acceptable Reinsuring Companies" as



published by the United States Department of the Treasury, Financial Management Service, Circular 570 (latest revision as published and supplemented on the Financial Management Service Web site and in the Federal Register) within the underwriting limits listed for that Surety. The Mississippi agent or qualified nonresident agent shall be in good standing and currently licensed by the Insurance Commissioner of the State of Mississippi to represent the Surety company(ies) executing the bonds.

Surety bonds shall continue to be acceptable to the Commission throughout the life of the Contract and shall not be canceled by the Surety without the consent of the Department. In the event the Surety fails or becomes financially insolvent, the Contractor shall file a new Bond in the amount designated by the Executive Director within thirty (30) days of such failure, insolvency, or bankruptcy. Subsequent to award of Contract, the Commission or the Department may require additional security for any supplemental agreements executed under the contract or replacement security in the event of the surety(ies) loss of the ratings required above. Suits concerning bonds shall be filed in the State of Mississippi and adjudicated under its laws without reference to conflict of laws principles.

**907-103.08--Failure to Execute Contract.** In the first sentence of Subsection 103.08 on page 24, change “bond” to “performance and payment bonds”.

**MISSISSIPPI DEPARTMENT OF TRANSPORTATION**

**SPECIAL PROVISION NO. 907-104-5**

**CODE: (IS)**

**DATE: 05/01/2013**

**SUBJECT: Scope of Work**

Section 104, Scope of Work, of the 2004 Edition of the Mississippi Standard Specifications for Road and Bridge Construction is hereby amended as follows:

**907-104.05--Removal and Disposal of All Materials From the Project.** Delete the second sentence of the first full paragraph of Subsection 104.05 on page 30 and substitute the following:

The Contractor shall also furnish the Engineer a certified letter stating that the area of disposal is not in a wetland or in Waters of the U.S.

## MISSISSIPPI DEPARTMENT OF TRANSPORTATION

| SPECIAL PROVISION NO. 907-104-6

CODE: (SP)

| DATE: 11/20/2014

SUBJECT: Partnering Process

Section 104, Scope of Work, of the 2004 Edition of the Mississippi Standard Specifications for Road and Bridge Construction is hereby amended as follows:

**907-104.01--Intent of Contract.** At the end of Subsection 104.01 on Page 24, add the following:

**907-104.01.1--Partnering Process.**

### COVENANT OF GOOD FAITH AND FAIR DEALING:

This contract imposes an obligation of good faith and fair dealing in its performance and enforcement.

The Contractor and the Department, with a positive commitment to honesty and integrity, agree to the following mutual duties:

- A. Each will function within the laws and statutes applicable to their duties and responsibilities.
- B. Each will assist in the other's performance.
- C. Each will avoid hindering the other's performance.
- D. Each will proceed to fulfill its obligations diligently.
- E. Each will cooperate in the common endeavor of the contract.

| The Mississippi Department of Transportation intends to encourage the foundation of a cohesive partnership with the contractor and its principal subcontractors and supplier. This partnership will be structured to draw on the strengths of each organization to identify and achieve reciprocal goals. The objectives are effective and efficient contract performance and completion within budget, on schedule, and in accordance with plans and specifications.

### | FORMAL PARTNERING:

| This partnership will be bilateral in make-up, and participation will be **required by both MDOT and the Contractor**. Any cost associated with effectuating this partnering will be agreed to by both parties and will be shared equally.

To implement this partnering initiative prior to starting of work in accordance with the requirements of Subsection 108.02 Notice to Proceed and prior to the preconstruction conference, the contractor's management personnel and MDOT's District Engineer, will initiate a partnering development seminar/team building workshop. The Contractor working with the assistance of the District and the State Construction Engineer will make arrangements to determine attendees for the workshop, agenda of the workshop, duration, and location. Persons required to be in attendance will be the MDOT key project personnel, the contractor's on-site project manager and key project supervision personnel of both the prime and principal subcontractors and suppliers. The project design engineers, FHWA and key local government personnel will be also be invited to attend as necessary. The contractors and MDOT will also be required to have Regional/District and Corporate/State level managers on the project team.

Follow-up workshops may be held periodically throughout the duration of the contract as agreed by the contractor and Mississippi Department of Transportation.

The establishment of a partnership charter on a project will not change the legal relationship of the parties to the contract nor relieve either party from any of the terms of the contract.

**INFORMAL PARTNERING:**

If the Contractor and MDOT does not choose to have a Formal Partnering process or the contract does not require a Mandatory Formal Partnering process, an informal partnering meeting shall be conducted on at least a monthly basis. It will be mandatory that the Project Engineer and Project Superintendent attend the meeting. It is recommended that MDOT Inspectors, foremen, and other project managers attend the meeting.

The Project Engineer will be responsible for taking minute of the meeting. As soon as practical after the meeting, the Engineer will send a copy of the minutes of the meeting to the Contractor, District Construction Engineer, and State Construction Engineer. The Contractor will have 30 days to dispute the contents of the minutes or they will become an official record of the project.

## MISSISSIPPI DEPARTMENT OF TRANSPORTATION

**SPECIAL PROVISION NO. 907-105-8**

**CODE: (SP)**

**DATE: 11/20/2014**

**SUBJECT: Control of Work**

Section 105, Control of Work, of the 2004 Edition of the Mississippi Standard Specifications for Road and Bridge Construction is modified as follows.

**907-105.04--Coordination of Plans, Specifications, Interim Specifications, Special Provisions and Notice to Bidders.** Delete the second full paragraph of Subsection 105.04 on page 35, and substitute the following.

In case of a conflict between plan quantities, advertisement quantities, and/or bid sheet quantities, the bid sheet quantities shall prevail.

**907-105.05--Cooperation by Contractor.** Delete Subsection 105.05 on page 35 and substitute the following.

**907-105.05--Cooperation by Contractor.** The Contractor shall give the work the attention necessary to expedite its progress, and shall cooperate with the Engineer, inspectors and other Contractors in every possible way.

**907-105.05.1--Project Superintendent.** The Contractor shall have a competent and experienced full time resident superintendent who is capable of reading and understanding the plans and specifications for the particular work being performed. The superintendent shall be on the project site at any time work is being performed by the Prime Contractor or any Subcontractors. The superintendent shall advise the Project Engineer of an intended absence from the work and designate a person to be in charge of the work during such absence. The superintendent shall receive instructions from the Engineer or authorized representative. Upon issuance of the Notice to Award, the Contractor or duly appointed agent authorized to bind the Contractor shall file with the Executive Director the name and address of the superintendent who will supervise the work with copies to the Construction Engineer, Contract Administration Engineer, District Engineer and Project Engineer. The Executive Director shall be immediately notified in writing with copies to those stated when a change is made in the Contractor's superintendent or superintendent's address. The superintendent shall have full authority to execute orders or directives of the Engineer without delay and to promptly supply materials, equipment, labor and incidentals as may be required. Such superintendence shall be furnished irrespective of the amount of work sublet.

**907-105.05.2--Certified Erosion Control Person.** On projects that require an erosion control plan, the Contractor shall also designate a responsible person whose primary duty shall be to monitor and maintain the effectiveness of the erosion control plan, including NPDES permit

requirements. This responsible person must be a Certified Erosion Control Person certified by an organization approved by the Department. Prior to or at the pre-construction conference, the Contractor shall designate in writing the Certified Erosion Control Person to the Project Engineer. The designated Certified Erosion Control Person shall be assigned to only one (1) project. When special conditions exist, such as two (2) adjoining projects or two (2) projects in close proximity, the Contractor may request in writing that the State Construction Engineer approve the use of one (1) Certified Erosion Control Person for both projects. The Contractor may request in writing that the Engineer authorize a substitute Certified Erosion Control Person to act in the absence of the Certified Erosion Control Person. The substitute Certified Erosion Control Person must also be certified by an organization approved by the Department. A copy of the Certified Erosion Control Person's certification must be included in the Contractor's Protection Plan as outlined in Subsection 907-107.22.1. This in no way modifies the requirements regarding the assignment and availability of the superintendent.

**907-105.14--Maintenance During Construction.** Before the first sentence Subsection 105.14 on page 39, add the following.

The Contractor will be responsible for the maintenance of existing roadways within the limits of this project starting on the date of the Notice To Proceed / Beginning of Contract Time. Anytime work is performed in a travel lane, the Contractor shall install portable lane closure signs meeting the requirement of the MDOT Standard Drawing or MUTCD.

**907-105.16--Acceptance.** Delete Subsection 105.16 on pages 40 and 41, and substitute the following.

**907-105.16--Acceptance.**

**907-105.16.1--Partial Acceptance of a Unit.** When the Contractor has completed a unit of the work such as an interchange, a structure, a portion of the road or pavement or one project of a multi-project contract, the Contractor may request the Engineer to make a final inspection of that unit; or the Executive Director may order a final inspection of the unit if it is in the public's interest. If the Engineer finds upon inspection that the unit has been completed in compliance with the contract and it is a complete facility which can be made available to the public or made available for the prosecution of work under another contract, the Executive Director may conditionally accept the unit and conditionally relieve the Contractor of certain contractual responsibilities as defined in the release.

In the event items of work covered by such release are found to be defective or deficient as evidenced by unsatisfactory test reports of materials incorporated in the work or other engineering determination, the release shall terminate upon written notification to the Contractor. The Contractor shall make all corrections, restorations, constructions or reconstructions deemed necessary and shall resume all contractual responsibilities until all corrective measures have been made in accordance with the terms of the contract.

Partial acceptance does not constitute final acceptance of the work, or any part thereof, nor in any way void or alter any of the terms of the contract.

Relief from "certain contractual responsibilities" as indicated herein may, or may not, include:

- (a) Further maintenance of the defined limits of the partially accepted work.
- (b) Further public liability for the defined limits of the partially accepted work.
- (c) Further liability for liquidated damages as applicable to the value of the partially accepted work when the quantities for the partially accepted work are separate quantities listed on the Summary of Quantities sheet of the plans, and the separate quantities and the total amounts thereof are listed on the Engineer's Estimate. Otherwise, no reduction in liquidated damages will be made because of such partial acceptance.

Unless specifically provided in the contract, the liability for liquidated damages shall not be reduced to less than that applicable under the contract for an amount of such work equal to at least fifty percent (50%) of the total amount of work under the contract.

**907-105.16.2--Partial Maintenance Release of a Project.** Upon written notice from the Contractor of presumptive completion of all the work and upon due notice from the Resident or Project Engineer, the Engineer will make an inspection.

If the inspection discloses any work as being unsatisfactory or incomplete, the Engineer will discuss in detail with the Contractor all discrepancies in the work. Upon correction of the work, another inspection will be made which shall constitute the final inspection provided the work has been satisfactorily completed.

However, if during the final inspection the Engineer determines that all work has been satisfactorily completed save that of growth and coverage of plant establishment on all or part of the work, the Engineer may recommend partial release of all work except items related to growth and coverage. Upon such recommendation, the Contractor will be given a partial release of maintenance and shall be released from further contractual liabilities for the completed work. The Contractor will retain responsibility for plant establishment and all maintenance and repairs appurtenant thereto until satisfactory growth and coverage is achieved.

**907-105.16.3--Final Maintenance Release of a Project.** Upon written notice from the Contractor of presumptive completion of all the work and upon due notice from the Resident or Project Engineer, the Engineer will make an inspection. If all work provided by the contract has been completed to the Engineer's satisfaction, the inspection will constitute the final inspection, and the Engineer will conditionally release the Contractor of maintenance.

As provided in the contract, in the event items of work are found to be deficient or defective as evidenced by unsatisfactory test reports of material incorporated into the work, the Contractor shall assume full responsibility for corrective measures, and shall reassume maintenance and public liability until such corrective measures are completed to the satisfaction of the Engineer.

**907-105.16.4.--Final Acceptance of a Project.** Upon evidence that the Contractor has fulfilled all obligations under the contract, the Executive Director will make final acceptance and notify the Contractor in writing. Final acceptance of the project will not be given until all obligations imposed under the contract, including but not limited to the final reporting of payrolls, final reporting of DBE payments, acceptable certifications and test reports of materials used, etc., have been fulfilled.

## MISSISSIPPI DEPARTMENT OF TRANSPORTATION

| SPECIAL PROVISION NO. 907-107-13

CODE: (IS)

| DATE: 05/01/2013

**SUBJECT: Legal Relations and Responsibility to Public**

Section 107, Legal Relations and Responsibility to Public, of the 2004 Edition of the Mississippi Standard Specifications for Road and Bridge Construction is hereby amended as follows.

**907-107.02--Permits, Licenses and Taxes.** Delete in toto Subsection 107.02 on page 49 and substitute the following.

The Contractor or any Subcontractor shall have the duty to determine any and all permits and licenses required and to procure all permits and licenses, pay all charges, fees and taxes and issue all notices necessary and incidental to the due and lawful prosecution of the work. At any time during the life of this contract, the Department may audit the Contractor's or Subcontractor's compliance with the requirements of this section.

The Contractor or any Subcontractor is advised that the "Mississippi Special Fuel Tax Law", Section 27-55-501, et seq. and the Mississippi Use Tax Law, Section 27-67-1, et seq., and their requirements and penalties, apply to any contract or subcontract for construction, reconstruction, maintenance or repairs, for contracts or subcontracts entered into with the State of Mississippi, any political subdivision of the State of Mississippi, or any Department, Agency, Institute of the State of Mississippi or any political subdivision thereof.

The Contractor or any Subcontractor will be subject to one or more audits by the Department during the life of this contract to make certain that all applicable fuel taxes, as outlined in Section 27-55-501, et seq., and any sales and/or use taxes, as outlined in Section 27-67-1, et seq. are being paid in compliance with the law. The Department will notify the Mississippi State Tax Commission of the names and addresses of any Contractors or Subcontractors.

**907-107.14--Damage Claims and Insurance.**

| **907-107.14.2--Liability Insurance.** Delete Subsection 107.14.2 beginning on page 60 and substitute [the following](#).

**907-107.14.2.1--General.** The Contractor shall carry Contractor's liability, including subcontractors and contractual, with limits not less than: \$500,000 each occurrence; \$1,000,000 aggregate; automobile liability - \$500,000 combined single limit - each accident; Workers' Compensation and Employers' Liability - Statutory & \$100,000 each accident; \$100,000 each employee; \$500,000 policy limit. Each policy shall be signed or countersigned by a Mississippi Agent or Qualified Nonresident Agent of the Insurance Company.



The Contractor shall have certificates furnished to the Department from the insurance companies providing the required coverage. The certificates shall be on the form furnished by the Department and will show the types and limits of coverage.

**907-107.14.2.2--Railroad Protective.** The following provisions are applicable to all work performed under a contract on, over or under the rights-of-way of each railroad shown on the plans.

The Contractor shall assume all liability for any and all damages to work, employees, servants, equipment and materials caused by railroad traffic.

Prior to starting any work on railroad property, the Contractor shall furnish satisfactory evidence to the Department that insurance of the forms and amounts set out herein in paragraphs (a) and (b) has been obtained. Also, the Contractor shall furnish similar evidence to the Railroad Company that insurance has been obtained in accordance with the Standard Provisions for General Liability Policies and the Railroad Protective Liability Form as published in the Code of Federal Regulations, 23 CFR 646, Subpart A. Evidence to the Railroad Company shall be in the form of a Certificate of Insurance for coverages required in paragraph (b), and the original policy of the Railroad Protective Liability Insurance for coverage required in paragraph (a).

All insurance herein specified shall be carried until the contract is satisfactorily complete as evidenced by a release of maintenance from the Department.

The Railroad Company shall be given at least 30 days notice prior to cancellation of the Railroad Protective Liability Insurance policy.

For work within the limits set out in Subsection 107.18 and this subsection, the Contractor shall provide insurance for bodily injury liability, property damage liability and physical damage to property with coverages and limits no less than shown in paragraphs (a) and (b). Bodily injury shall mean bodily injury, sickness, or disease, including death at anytime resulting therefrom. Property damage shall mean damages because of physical injury to or destruction of property, including loss of use of any property due to such injury or destruction. Physical damage shall mean direct and accidental loss of or damage to rolling stock and their contents, mechanical construction equipment or motive power equipment.

(a) **Railroad Protective Liability Insurance** shall be purchased on behalf of the Railroad Company with limits of \$2,000,000 each occurrence; \$6,000,000 aggregate applying separately to each annual period for lines without passenger trains. If the line carries passenger train(s), railroad protective liability insurance shall be purchased on behalf of the Railroad Company with limits of \$5,000,000 each occurrence; \$10,000,000 aggregate applying separately to each annual period.

Coverage shall be limited to damage suffered by the railroad on account of occurrences arising out of the work of the Contractor on or about the railroad right-of-way, independent of the railroad's general supervision or control, except as noted in paragraph 4 below.

Coverage shall include:

- (1) death of or bodily injury to passengers of the railroad and employees of the railroad not covered by State workmen's compensation laws,
- (2) personal property owned by or in the care, custody or control of the railroads,
- (3) the Contractor, or any of the Contractor's agents or employees who suffer bodily injury or death as a result of acts of the railroad or its agents, regardless of the negligence of the railroads, and
- (4) negligence of only the following classes of railroad employees:
  - (i) any supervisory employee of the railroad at the job site
  - (ii) any employee of the railroad while operating, attached to, or engaged on, work trains or other railroad equipment at the job site which are assigned exclusively to the Contractor, or
  - (iii) any employee of the railroad not within (i) or (ii) above who is specifically loaned or assigned to the work of the Contractor for prevention of accidents or protection of property, the cost of whose services is borne specifically by the Contractor or Governmental authority.

(b) **Contractor's Liability - Railroad**, including subcontractors, XCU and railroad contractual with limits of \$1,000,000 each occurrence; \$2,000,000 aggregate. **Automobile** with limits of \$1,000,000 combined single limit any one accident; **Workers' Compensation and Employer's Liability** - statutory and \$100,000 each accident; \$100,000 each employee; \$500,000 policy limit. **Excess/Umbrella Liability** \$5,000,000 each occurrence; \$5,000,000 aggregate. All coverage to be issued in the name of the Contractor shall be so written as to furnish protection to the Contractor respecting the Contractor's operations in performing work covered by the contract. Coverage shall include protection from damages arising out of bodily injury or death and damage or destruction of property which may be suffered by persons other than the Contractor's own employees.

In addition, the Contractor shall provide for and on behalf of each subcontractor by means of a separate and individual liability and property damage policy to cover like liability imposed upon the subcontractor as a result of the subcontractor's operations in the same amounts as contained above; or, in the alternative each subcontractor shall provide same.

**907-107.15--Third Party Beneficiary Clause.** In the first sentence of the first paragraph of Subsection 107.15 on page 61, change "create the public" to "create in the public".

**907-107.17--Contractor's Responsibility for Work.** Delete the fifth sentence of the fifth paragraph of Subsection 107.17 on page 63 and substitute the following.

The eligible permanent items shall be limited to traffic signal systems, changeable message signs, roadway signs and sign supports, lighting items, guard rail items, delineators, impact

attenuators, median barriers, bridge railing or pavement markings. The eligible temporary items shall be limited to changeable message signs, guard rail items, or median barriers.

**907-107.18--Contractor's Responsibility for Utility Property and Services.** After the first sentence of Subsection 107.18 on page 63, add the following:

Prior to any excavation on the project, the Contractor shall contact MS 811 and advise them to mark all known utilities in the area of the excavation.

**MISSISSIPPI DEPARTMENT OF TRANSPORTATION**

**SUPPLEMENT TO SPECIAL PROVISION NO. 907-107-14**

**DATE:** 06/03/2014

**SUBJECT:** Contractor's Protection Plan

**907-107.22.1--Contractor's Erosion Control Plan.** Delete the first sentence of the second paragraph of Subsection 907-107.22.1 on page 1, and substitute the following.

The time between the Notice of Award and Notice to Proceed/Beginning of Contract Time in the proposal, has been allowed for the submittal and concurrence of the Contractor's erosion control plan, MDOT's review of the plan, and any revisions that may be necessary.

After the last paragraph of Subsection 907-107.22.1 on page 2, add the following.

As soon as the ECP has been approved, a copy of the SWPPP (Narrative, ECP with updates) shall be available on the project at all times. The Contractor shall provide and install a weatherproof enclosure, such as a mailbox, on the project at a location that will be readily accessible to the Engineer or others who may want to review the project ECP. The cost of installing and maintaining this enclosure shall be included in the prices bid for the various erosion control pay items and no direct payment will be made for this work.

# MISSISSIPPI DEPARTMENT OF TRANSPORTATION

**SPECIAL PROVISION NO. 907-107-14**

**CODE: (IS)**

**DATE: 05/22/2013**

**SUBJECT: Contractor's Protection Plan**

Section 107, Legal Relations and Responsibility to Public, of the 2004 Edition of the Mississippi Standard Specifications for Road and Bridge Construction is hereby amended as follows:

Delete in toto Subsection 107.22.1 on pages 65 and 66, and substitute the following.

**907-107.22.1--Contractor's Erosion Control Plan.** At the preconstruction conference or prior to starting any work on the project, the Contractor shall submit to the Project Engineer for concurrence a comprehensive erosion and siltation control plan. The plan shall utilize temporary measures and permanent erosion control features to provide acceptable controls during all stages of construction. If an early Notice to Proceed is desired, the Contractor's Erosion Control Plan should be submitted to the Engineer as soon as possible after award since an approved erosion control plan is required for an early Notice to Proceed.

Approximately 60 calendar days, the time between the Notice of Award and Notice to Proceed/Beginning of Contract Time in the proposal, has been allowed for the submittal and concurrence of the Contractor's erosion control plan, MDOT's review of the plan, and any revisions that may be necessary. The original contract time shall not be adjusted unless delays are caused solely by the Department for the submission, review, and concurrence of the Contractor's erosion control plan.

As a minimum, the plan shall include the following:

1. Erosion Control Plan (ECP) sheets or the plan profile sheets, 11" x 17" or larger, of all areas within the rights-of-way from the Beginning of the Project (BOP) to the End of the Project (EOP) showing the location of all temporary erosion control devices. Erosion control devices should be identified by exact type, temporary or permanent, configuration, and placement of each item to prevent erosion and siltation. A narrative of the Contractor's temporary erosion control plan shall be submitted in a format similar to the form attached to this special provision, but must include the heading and sub-heading information. As a minimum, the narrative shall include the following:
  - A detailed description, including locations (station numbers) of the Contractor's proposed sequence of operations including, but not limited to, clearing and grubbing, excavation, drainage, and structures.
  - A detailed description, including locations, and best management practices (BMP) that will be used to prevent siltation and erosion from occurring during the Contractor's proposed sequence of operations.

2. A copy of the certification for the Contractor's Certified Erosion Control Person whose primary duty shall be monitoring and maintaining the effectiveness of the erosion control plan, BMPs, and compliance with the NPDES permit requirements.
3. A plan for the disposal of waste materials on the project right-of-way which shall include but not be limited to the following:
  - containment and disposal of materials resulting from the cleaning (washing out) of concrete trucks that are delivering concrete to the project site.
  - containment and disposal of fuel / petroleum materials at staging areas on the project.

The erosion and siltation control plan shall be maintained on the project site at all times, updated as work progresses to show changes due to revisions in the sequences of construction operations, replacement of inadequate BMPs, and the maintenance of BMPs. Work shall not be started until an erosion control plan has been concurred with by the MDOT. The Engineer will have the authority to suspend all work and/or withhold payments for failure of the Contractor to carry out provisions of MDEQ's Storm Water Construction General Permit, the erosion control plan, updates to the erosion control plan, and /or proper maintenance of the BMPs.

**907-107.22.2--Clearing and Grubbing, Haul Roads, Waste Areas, Plant Sites or Other Areas Occupied by the Contractor.** Delete the fourth paragraph of Subsection 107.22.2 on page 66 and substitute the following.

Unless otherwise determined by the Engineer from a study of overall job conditions , the exposed surface area of erodible material at any one time on this project shall not exceed 19 acres without prior approval by the Engineer.

**EXAMPLE**  
**MISSISSIPPI DEPARTMENT OF TRANSPORTATION**  
**Storm Water Pollution Prevention Plan (SWPPP)**  
**Narrative**

General Permit Coverage No: MSR \_\_\_\_\_  
Project Number: \_\_\_\_\_  
County: \_\_\_\_\_  
Route: \_\_\_\_\_

**SITE INFORMATION**

This project consists of grading and installing drainage structures necessary to construct approximately 6 miles of parallel lanes on SR 31 between the Hinds County Line and the Rankin County Line.

**SEDIMENT AND EROSION CONTROLS**

**VEGETATIVE CONTROLS:** Clearing and grubbing areas will be minimized to comply with the buffer zones (minimum of 15 feet along the ROW lines and 5 feet along creeks) as per the contract documents. A combination of temporary and permanent grassing will be used to protect slopes as construction progresses. **Should a disturbed area be left undisturbed for 14 days or more, temporary or permanent vegetation will be placed within 7 calendar days.**

**STRUCTURAL CONTROLS:** Gravel construction entrance/exit will be installed near Stations 145+50, 159+50, 164+50 & 172+50. Riprap ditch checks will be constructed at Stations 144+50, 151+75, 162+00 & 166+25. The Concrete washout area will be at Stations 140+25, 152+00 & 168+50.

**HOUSEKEEPING PRACTICES:** Structural BPM's will be cleaned out when sediment reaches 1/3 to 1/2 of the height of the BMP. Maintenance and repair of equipment will be performed off-site, material wash out will occur either off-site or within designated wash out areas.

**POST-CONSTRUCTION CONTROL MEASURES:** As construction is completed, permanent vegetative growth will be established on disturbed soils to improve soil stability and provide a buffer zone for loose material. Paved ditches and flumes will be placed as specified in the ECP to reduce erosion in concentrated flow areas and rip rap will be placed as specified to dissipate flow energy and reduce flow velocity.

**IMPLEMENTATION SEQUENCE**

Perimeter controls will be installed first. Clearing and grubbing will be performed in 19-acre sections beginning at the BOP and temporary grassing will be installed as needed. Temporary erosion control BMP's will be installed at the drainage structures prior/during construction of the drainage structures. Grading activities will commence at the BOP and proceed towards the EOP, fill slopes will be permanently grassed in stages for fill heights that exceed 5 feet. Base materials will be installed on completed grading sections with the paving to follow.

**MAINTENANCE PLAN**

All erosion and sediment control practices will be checked for stability and operation following every rainfall but in no case less than once every week. Any needed repairs will be made immediately to maintain all practices as designed. Sediment basins will be cleaned out when the level of sediment reaches 2.0 feet below the top of the riser. Sediment will be removed from behind BMP's when it becomes about 1/3 to 1/2 height of BMP.

\_\_\_\_\_  
Prime Contractor's Signature

\_\_\_\_\_  
Date

\_\_\_\_\_  
Printed Name

\_\_\_\_\_  
Title

# MISSISSIPPI DEPARTMENT OF TRANSPORTATION

## SUPPLEMENT TO SPECIAL PROVISION NO. 907-108-37

**DATE:** 06/24/2015

**SUBJECT:** Prosecution and Progress

Delete the first paragraph of Subsection 907-108.03.1 on pages 1 and 2, and substitute the following.

**907-108.03.1--Progress Schedule.** On working day projects, the Department will furnish the Contractor a progress schedule developed for the determination of contract time which may be used as the contract progress schedule, or the Contractor's own proposed progress schedule may be submitted for approval. If the Contractor elects to furnish a progress schedule for approval by the Engineer, it should be furnished promptly after award of the contract.

On completion date projects, the Contractor shall furnish a progress schedule and be prepared to discuss both its proposed methodologies for fulfilling the scheduling requirements and its sequence of operations.

The Engineer will review Contractor prepared progress schedules and approve schedules as it relates to compliance with the specifications and logic. The progress schedule must be approved by the Engineer prior to commencing work. The progress schedule shall be a computer generated bar-chart type schedule meeting the below minimum requirements. These activities shall be significantly detailed enough to communicate the Contractor's understanding of the construction sequencing and phasing of the project.



## MISSISSIPPI DEPARTMENT OF TRANSPORTATION

| SPECIAL PROVISION NO. 907-108-37

CODE: (SP)

| DATE: 12/08/2014

**SUBJECT: Prosecution and Progress**

Section 108, Prosecution and Progress, of the 2004 Edition of the Mississippi Standard Specifications for Road and Bridge Construction is hereby amended as follows.

### **907-108.01--Subletting of Contract.**

**907-108.01.1--General.** At the end of the last paragraph of Subsection 108.01.1 on page 73, add the following.

The Engineer will have the authority to suspend the work wholly or in part and to withhold payments because of the Contractor's failure to make prompt payment within 15 calendar days as required above, or failure to submit the required OCR-484 Form, Certification of Payments to Subcontractors, which is also designed to comply with prompt payment requirements.

**907-108.02--Notice To Proceed.** Delete the second paragraph of Subsection 108.02 on page 75 and substitute the following.

The anticipated date of the Notice to Proceed (NTP) / Beginning of Contract Time (BCT) will be specified in the proposal.

Delete the fourth paragraph of Subsection 108.02 on page 75 and substitute the following.

Upon written request from the Contractor and if circumstances permit, the Notice to Proceed may be issued at an earlier date subject to the conditions stated therein. The Contractor shall not be entitled to any monetary damages or extension of contract time for any delay claim or claim of inefficiency occurring between the early issuance Notice To Proceed date and the Notice to Proceed date stated in the contract.

**907-108.03--Prosecution and Progress.** Delete Subsection 108.03.1 on pages 75 & 76, and substitute the following.

| **907-108.03.1--Progress Schedule.** On working day projects, the Department will furnish the Contractor a progress schedule developed for the determination of contract time which may be used as the contract progress schedule, or the Contractor's own proposed progress schedule may be submitted for approval. If the Contractor elects to furnish a progress schedule for approval by the Engineer, it should be furnished promptly after award of the contract. The Engineer will review the schedule and approve the schedule as it relates to compliance with the specifications and logic. The progress schedule must be approved by the Engineer prior to commencing work. The progress schedule shall be a bar-chart type schedule submitted on 11"x17" paper meeting

the below minimum requirements. These activities shall be significantly detailed enough to communicate the Contractor's understanding of the construction sequencing and phasing of the project.

When preparing the progress schedule, the Contractor shall include the following:

- Show a time scale to graphically show the completion of the work within contract time.
- Define and relate activities to the contract pay items.
- Show all activities in the order the work is to be performed including submittals, submittal reviews, fabrication and delivery.
- Show all activities that are controlling factors in the completion of the work.
- Show the time needed to perform each activity and its relationship in time to other activities.

This progress schedule shall provide a bar for each major phase of construction such as, but not limited to, clearing and grubbing, grading, drainage structures, bridges, base, shoulders, paving, etc. with an estimated start working day and completion working day for each bar, all within the specified contract time.

A revised progress schedule may be required within ten days of the occurrence of any one of the following conditions:

- when a major change occurs in the work
- when a time extension is granted
- when the progress schedule becomes unrealistic

The Engineer's approval of the aforementioned Progress Schedules does not waive any contract requirements.

In the event the Contractor has not submitted an approvable progress schedule by the beginning of contract time, the progress schedule prepared by the Department shall be the approved progress schedule and used to assess contract time.

An approved progress schedule shall be in effect until the date on which a revised schedule is approved. The approved progress schedule will be the basis for contract time assessment.

When a Critical Path Method (CPM) schedule is required in the proposal, this schedule will be used in lieu of the bar graph progress schedule in evaluating work progress. In such case, the same time frame noted in this subsection for the original submittal along with the update requirements will apply.

**907-108.03.2--Preconstruction Conference.** Delete the first paragraph of Subsection 108.03.2 on page 76 and substitute the following.

Prior to commencement of the work, a preconstruction conference shall be held for the purpose of discussing with the Contractor essential matters pertaining to the prosecution and satisfactory

completion of the work. The Contractor will be responsible for scheduling the preconstruction conference. The Contractor will advise the Project Engineer in writing 14 days prior to the requested date that a conference is requested. When the contract requires the Contractor to have a certified erosion control person, the Contractor's certified erosion control person shall be at the preconstruction conference. The Department will arrange for utility representatives and other affected parties to be present.

Delete the third paragraph of Subsection 108.03.2 on page 76.

**907-108.06--Determination and Extension of Contract Time.** Delete Subsections 108.06.1 and 108.06.2 on pages 79 thru 85 and substitute the following.

**907-108.06.1--Based on Working Day Completion.**

**907-108.06.1.1--General.** Contract Time will be established on the basis of an allowable number of Working Days, as indicated in the contract. A working day is defined as a day the Contractor worked or could have worked in accordance with the conditions set forth in Subsection 907-108.06.1.2, Subparagraphs (a) and (b), except during the months of December, January, and February.

During the months of December, January, and February, time will be assessed in the miscellaneous phase regardless of whether or not the Contractor actually works. The value for the time on any particular day will be determined by dividing the number of anticipated working day shown in the following table by the number of days in the particular month. This number will be expressed to three decimal places (0.000)

The span of time allowed for the completion of the work included in the contract will be indicated in the contract documents and will be known as "Contract Time".

**907-108.06.1.2--Contract Time.** The following TABLE OF ANTICIPATED WORKING DAYS indicates an average/anticipated number of working days per month.

**TABLE OF ANTICIPATED WORKING DAYS**

Month	Working Days
January	6
February	7
March	11
April	15
May	19
June	20
July	21
August	21
September	20
October	16
November	11
December	5
Calendar Year	172

**NOTE: The above Table is for informational purposes only. The actual working day total as assessed by the Project Engineer on Form CSD-765 shall govern.**

Available working days will start being assessed at the original Notice to Proceed/Beginning of Contract Time date shown in the contract documents, regardless of whether or not the Contractor has been issued an early Notice to Proceed.

Available working days will be based on soil and weather conditions and other specific conditions cited in the contract. The Engineer will determine on each applicable day the extent to which work in progress could have been productive, regardless of whether the Contractor actually worked.

An available working day will be assessed as follows:

(a) any day of the week, Monday through Friday, exclusive of legal holidays recognized by the Department in Subsection 108.04.1, in which the Contractor works or could have worked for more than six (6) consecutive hours on the controlling item(s) of work, as determined by the Engineer from the approved progress schedule. When the Contractor works or could work more than four but less than six consecutive hours, one-half (0.5) of an available work day will be charged for that day. When the Contractor works or could work six or more consecutive hours during the day, one (1.0) available work day will be charged for that day, and

(b) any Saturday, exclusive of legal holidays recognized by the Department in Subsection 108.04.1, in which the Contractor works for more than six (6) consecutive hours on the controlling item(s) of work, as determined by the Engineer from the approved progress schedule. When the Contractor works less than four consecutive hours during the day, no time will be charged for that day. When the Contractor works more than four but less than six

consecutive hours, one-half (0.5) of an available work day will be charged for that day. When the Contractor works six or more consecutive hours during the day, one (1.0) available work day will be charged for that day.

Should the weather or other conditions be such that four (4) consecutive satisfactory hours are not available prior to noon (for daytime operations) or midnight (for nighttime operations), no time will be assessed for that day regardless of the above conditions. However, if the Contractor elects to work, time will be assessed in accordance with the previous paragraph.

Time will not be charged during any required waiting period for placement of permanent pavement markings as set forth in Subsection 618.03 provided all other work is complete except growth and coverage of vegetative items as provided in Subsection 210.01.

Each month the Engineer will complete, and furnish to the Contractor, an "Assessment Report of Working Days" (CSD-765). This report shows the number of working days assessed during the estimate period and the cumulative working days assessed to date. The Contractor should review the Engineer's report as to the accuracy of the assessment and confer with the Resident or Project Engineer to rectify any differences. Each should make a record of the differences, if any, and conclusions reached. In the event mutual agreement cannot be reached, the Contractor will be allowed a maximum of 15 calendar days following the ending date of the monthly report in question to file a protest Notice of Claim in accordance with the provisions of Subsection 105.17. Otherwise, the Engineer's assessment shall be final unless mathematical errors of assessment are subsequently found to exist, and any claim of the Contractor as to such matter shall be waived.

The Contractor's progress will be determined monthly at the time of each progress estimate and will be based on the percentage of money earned by the Contractor compared to the percentage of elapsed time.

The percentage of money earned will be determined by comparing the total money earned to-date by the Contractor, minus any payment for advancement of materials, to the total dollar amount of the contract. The percentage of time elapsed will be determined by comparing the working days assessed to-date on Form CSD-765 to the total allowable working days for the contract.

When the "percent complete" lags more than 20 percent behind the "percentage of elapsed time", the Contractor shall immediately submit a written statement and revised progress schedule indicating any additional equipment, labor, materials, etc. to be assigned to the work to ensure completion within the specified contract time. When the "percent complete" lags more than 40 percent behind the "percentage of elapsed time", the contract may be terminated.

**907-108.06.1.3--Extension of Time.** The Contractor may, prior to the expiration of the Contract Time, make a written request to the Engineer for an extension of time with a valid justification for the request. The Contractor's plea that insufficient time was specified is not a valid reason for extension of time.

An extension of contract time may be granted for **unforeseen utility delays**, abnormal delays caused solely by the State or other governmental authorities, or unforeseeable disastrous phenomena of nature of the magnitude of earthquakes, hurricanes, **named tropical storms**, tornadoes, or flooded essential work areas which are deemed to unavoidably prevent prosecuting the work.

The span of time allowed in the contract as awarded is based on the quantities used for comparison of bids. If satisfactory fulfillment of the contract requires performance of work in greater quantities than those set forth in the proposal, the time allowed for completion shall be increased in Working Days in the same ratio that the cost of such added work, exclusive of the cost of work altered by Supplemental Agreement for which a time adjustment is made for such altered work in the Supplemental Agreement, bears to the total value of the original contract unless it can be established that the extra work was of such character that it required more time than is indicated by the money value.

Any extension of contract time will be on a working day basis.

The Contractor shall provide sufficient materials, equipment and labor to guarantee the completion of the work in the contract in accordance with the plans and specifications within the Contract Time.

If the **contract time** of the project is extended into a season of the year in which completion of certain items of work would be prohibited or delayed because of seasonal or temperature limitations, the Engineer may waive the limitations provided the completion of the work will not result in a reduction in quality. When determined that the completion of the out-of-season items will cause a reduction in the quality of the work, the completion of the project will be further extended so the items may be completed under favorable weather conditions. In either case, the Engineer will notify the Contractor in writing.

Liquidated damages as set forth in Subsection 907-108.07 under the heading "Daily Charge Per Calendar Day" in the Table titled "Schedule of Deductions for Each Day of Overrun in Contract Time", shall be applicable to each calendar day after the specified completion date, or authorized extension thereof, and until all work under the contract is completed.

**907-108.06.1.4--Cessation of Contract Time.** When the Engineer by written notice schedules a final inspection, time will be suspended until the final inspection is conducted and for an additional 14 calendar days thereafter. If after the end of the 14-day suspension all necessary items of work have not been completed, time charges will resume. If the specified completion date had not been reached at the time the Contractor called for a final inspection, the calendar day difference between the specified completion date and the date the Contractor called for a final inspection will be added after the 14-day period before starting liquidation damages. If a project is on liquidated damages at the time a final inspection is scheduled, liquidated damages will be suspended until the final inspection is conducted and for seven (7) calendar days thereafter. If after the end of the 7-day suspension all necessary items of work have not been completed, liquidated damages will resume. When final inspection has been made by the Engineer as prescribed in Subsection 105.16 and all items of work have been completed, the

daily time charge will cease.

**907-108.06.2--Based on Specified Completion Date.**

**907-108.06.2.1--General.** Contract Time will be established on the basis of a Specified Completion Date indicated in the Contract, or as determined by the Contractor in accordance with the contract documents. The span of time allowed for the completion of the work included in the contract will be known as "Contract Time".

For contracts in which a Specified Completion Date is indicated in the Contract, the span of Contract Time shall be between the date of the Beginning of Contract Time and the Specified Completion Date indicated in the Contract.

For contracts in which a Completion Date is determined by the Contractor (A + B Contracts), the span of Contract Time shall be between the date of the Beginning of Contract Time and the date representing the number of Calendar Days determined by the Contractor to complete the work.

The Contractor shall provide sufficient materials, equipment and labor to guarantee the completion of the work in the contract in accordance with the plans and specifications within the Contract Time.

At any given date, the ratio of the accumulated monetary value of that part of the work actually accomplished to the total contract bid amount adjusted to reflect approved increases or decreases shall determine the "percent complete" of the work.

The Contractor's progress will be determined monthly at the time of each progress estimate and will be based on the percentage of money earned by the Contractor compared to the percentage of elapsed time.

The percentage of money earned will be determined by comparing the total money earned to-date by the Contractor, minus any payment for advancement of materials, to the total dollar amount of the contract. The percentage elapsed time shall be calculated as a direct ratio of the expired Calendar Days to the total Calendar Days provided for in the contract.

When the "percent complete" lags more than 20 percent behind the "percentage of elapsed time", the Contractor shall immediately submit a written statement and revised progress schedule indicating any additional equipment, labor, materials, etc. to be assigned to the work to ensure completion within the specified contract time. When the "percent complete" lags more than 40 percent behind the "percentage of elapsed time", the contract may be terminated.

**907-108.06.2.2--Extension of Time.** The Contractor may, prior to the expiration of the Contract Time, make a written request to the Engineer for an extension of time with a valid justification for the request. The Contractor's plea that insufficient time was specified is not a valid reason for extension of time.

On all completion date contracts, an extension of contract time may be granted for unforeseen



utility delays, abnormal delays caused solely by the State or other governmental authorities, or unforeseeable disastrous phenomena of nature of the magnitude of earthquakes, hurricanes, named tropical storms, tornadoes, or flooded essential work areas which are deemed to unavoidably prevent prosecuting the work.

The span of time allowed in the contract as awarded is based on the quantities used for comparison of bids. If satisfactory fulfillment of the contract requires performance of work in greater quantities than those set forth in the proposal, the time allowed for completion shall be increased in Calendar Days in the same ratio that the cost of such added work, exclusive of the cost of work altered by Supplemental Agreement for which a time adjustment is made for such altered work in the Supplemental Agreement, bears to the total value of the original contract unless it can be established that the extra work was of such character that it required more time than is indicated by the money value.

Any extension of contract time will be based on a calendar day basis, excluding Saturdays, Sundays or legal holidays recognized by the Department in Subsection 108.04.1.

If the contract time of the project is extended into a season of the year in which completion of certain items of work would be prohibited or delayed because of seasonal or temperature limitations, the Engineer may waive the limitations provided the completion of the work will not result in a reduction in quality. When determined that the completion of the out-of-season items will cause a reduction in the quality of the work, the completion of the project will be further extended so the items may be completed under favorable weather conditions. In either case, the Engineer will notify the Contractor in writing.

Liquidated damages as set forth in Subsection 907-108.07 under the heading "Daily Charge Per Calendar Day" in the Table titled "Schedule of Deductions for Each Day of Overrun in Contract Time", shall be applicable to each calendar day after the specified completion date, or authorized extension thereof, and until all work under the contract is completed.

**907-108.06.2.3--Cessation of Contract Time.** When the Engineer by written notice schedules a final inspection, time will be suspended until the final inspection is conducted and for an additional 14 calendar days thereafter. If after the end of the 14-day suspension all necessary items of work have not been completed, time charges will resume. If the specified completion date had not been reached at the time the Contractor called for a final inspection, the calendar day difference between the specified completion date and the date the Contractor called for a final inspection will be added after the 14-day period before starting liquidation damages. If a project is on liquidated damages at the time a final inspection is scheduled, liquidated damages will be suspended until the final inspection is conducted and for seven (7) calendar days thereafter. If after the end of the 7-day suspension all necessary items of work have not been completed, liquidated damages will resume. When final inspection has been made by the Engineer as prescribed in Subsection 105.16 and all items of work have been completed, the daily time charge will cease.

**907-108.07--Failure to Complete the Work on Time.** Delete the Schedule of Deductions table in Subsection 108.07 on page 85, and substitute the following.



**Schedule of Deductions for Each Day of Overrun in Contract Time**

<b>Original Contract Amount</b>		<b>Daily Charge Per Calendar Day</b>
<b>From More Than</b>	<b>To and Including</b>	
\$ 0	100,000	\$ 150
100,000	500,000	360
500,000	1,000,000	540
1,000,000	5,000,000	830
5,000,000	10,000,000	1,200
10,000,000	20,000,000	1,800
20,000,000	-----	3,500

**907-108.10--Termination of Contractor's Responsibility.** In the last sentence of Subsection 108.10 on page 88, change “bond” to “performance and payment bond(s)”.

## MISSISSIPPI DEPARTMENT OF TRANSPORTATION

SPECIAL PROVISION NO. 907-109-7

CODE: (SP)

DATE: 11/25/2014

SUBJECT: Measurement and Payment

Section 109, Measurement and Payment, of the 2004 Edition of the Mississippi Standard Specifications for Road and Bridge Construction is hereby amended as follows.

**907-109.01--Measurement of Quantities.** Delete the third full paragraph of Subsection 109.01 on page 90 and substitute the following.

When requested by the Contractor, material specified to be measured by the cubic yard or ton may be converted to the other measure as appropriate. Factors for this conversion will be determined by the District Materials Engineer and agreed to by the Contractor. The conversion of the materials along with the conversion factor will be incorporated into the contract by supplemental agreement. The supplemental agreement must be executed before such method of measurement is used.

After the second sentence of the fourth full paragraph of Subsection 109.01 on page 90, add the following.

Where loose vehicle measurement (LVM) is used, the capacity will be computed to the nearest one-tenth cubic yard and paid to the whole cubic yard. Measurements greater than or equal to nine-tenths of a cubic yard will be rounded to the next highest number. Measurements less than nine-tenths of a cubic yard will not be rounded to the next highest number. Example: A vehicle measurement of 9.9 cubic yards will be classified as a 10-cubic yard vehicle. A vehicle measurement of 9.8 cubic yards will be classified as a 9-cubic yard vehicle.

**907-109.04--Extra and Force Account Work.** Delete the first paragraph under Subsection 109.04 on page 91, and substitute the following.

When extra work results for any reason and is not handled as prescribed elsewhere herein, the Engineer and the Contractor will attempt to agree on equitable prices. When such prices are agreed upon, a Supplemental Agreement will be issued by the Engineer.

When the Supplemental Agreement process is initiated, the Contractor will be required to submit to the Engineer a detailed breakdown for Material, Labor, Equipment, Profit and Overhead. The total allowable markup (which includes Prime Contractor and Subcontractor work, if applicable) for Supplemental Agreement work shall not exceed 20%.

The requirement for detailed cost breakdowns may be waived when a Department's Bid Item History exists for the proposed item(s), and the Contractor's requested price, including mark-up, is within 20% of the Department's Bid History cost for that item(s). In any case, the Department reserves the right to request detailed cost breakdowns from the Contractor on any Supplemental Agreement request.

When equitable prices cannot be agreed upon mutually by the Engineer and the Contractor, the Engineer will issue a written order that work will be completed on a force account basis to be compensated in the following manner:

In the last sentence of subparagraph (b) in Subsection 109.04 on page 91, change "bond" to "bond(s)".

Delete the first and second paragraphs of subparagraph (d) in Subsection 109.04 on page 92 and substitute the following.

**Equipment.** For any machinery or special equipment, other than small tools, authorized by the Engineer, the Contractor will use the rates shown in the book entitled "Rental Rate Blue Book For Construction Equipment" as published by EquipmentWatch® and is current at the time the force account work is authorized, unless otherwise allowed by the Engineer. This book shall be used to determine equipment ownership and operating expense rates. These rates do not include allowances for operating labor, mobilization or demobilization costs, overhead or profit, and do not represent rental charges for those in the business of renting equipment. Operating labor and overhead cost will be allowed. Subject to advance approval of the Engineer, actual transportation cost for a distance of not more than 200 miles will be reimbursed for equipment not already on the project. The cost of transportation after completion of the force account work will be reimbursed except it cannot exceed the allowance for moving the equipment to the work.

**907-109.06--Partial Payment.**

**907-109.06.1--General.** Delete the fourth and fifth sentences of the third paragraph of Subsection 109.06.1 on page 94, and substitute the following.

In the event mutual agreement cannot be reached, the Contractor will be allowed a maximum of 25 calendar days following the Contractor's receipt of the monthly estimate in question to file in writing, a protest Notice of Claim in accordance with the provisions Subsection 105.17. Otherwise, the Engineer's estimated quantities shall be considered acceptable pending any changes made during the checking of final quantities.

**907-109.06.2--Advancement on Materials.** Delete Subsection 109.06.2 on pages 94 & 95, and substitute the following.

**907-109.06.2--Advancement on Materials.** Partial payments may include advance payment for certain nonperishable or durable materials such as base aggregates, reinforcing steel, bridge piling, structural steel, prefabricated bridge components, traffic signal equipment, electrical equipment, fencing materials, and sign materials with approval of the Engineer. Advance payment may be requested for structural steel members provided fabrication has been completed and the members have been declared satisfactory for storage by a Department representative. The Contractor must make a written request to the Project Engineer for advanced payment and furnish written consent of the Surety. To qualify for advance payment, materials must be stored or stockpiled on or near the project or at other locations approved by the Engineer; or in the case of precast concrete members, treated timber, guard posts and other approved preprocessed durable and bulky materials, the materials may be stored at the commercial producer's yard provided it is located in Mississippi; or in the case of prestressed concrete members that may

require being produced at an out-of-state location, the prestress members shall be produced and may be stored at the commercial manufacturer's yard provided it is a PCI certified plant on the Department's List of Approved Prestress & Precast Plants and it is located within the continental United States; or in the case of structural steel members that may require fabrication at an out-of-state location, the fabricated members may be stored at the location of the commercial fabricator's yard provided it is located within the continental United States.

Advancements will not be allowed until the Project Engineer has received copies of material invoices and certified test reports or acceptable certificates of conformance, and in the case of materials stored at the commercial producer's/fabricator's yard, the material shall be positively identified for the specific project and a Certificate of Storage issued by the Department or a designated representative of the Department. Requests for advancements on fabricated structural steel members and prestress concrete members stored out-of-state will be denied when the Department does not have available a designated representative to issue a Certificate of Storage.

The Contractor shall make suitable arrangements to the satisfaction of the Engineer for storage and protection at approved sites or, in the case of materials stored at the commercial producer's yard located in Mississippi or, in the case of fabricated structural steel members stored at the commercial fabricator's yard or prestress concrete members stored at a commercial manufacturer's yard located within the continental United States, the Contractor shall make arrangements with the producer/fabricator for suitable storage and protection. If advanced payment is allowed and the materials are damaged, lost, destroyed or for any reason become unacceptable, the previous payments will be deducted from subsequent estimates until the materials are replaced or restored to an acceptable condition. In all cases, the Contractor shall save harmless the Commission in the event of loss or damage, regardless of cause.

An invoice or an accumulation of invoices for each eligible material must total \$10,000 or more before consideration will be given for making advanced payment. When allowed, advance payment will be based on verified actual material cost plus transportation charges to the point of storage. Sales tax, local haul and handling costs shall not be included as material cost.

Advanced payment shall not exceed 100% of the invoice price or 75% of the total contract bid price for the pay item, whichever is less.

Advanced payment for a component of a pay item shall not exceed 95% of the invoice price or 75% of the total contract bid price for the pay item of which the material is a part, whichever is less.

Advanced payment will be made only on materials that will be incorporated permanently in the project.

No advanced payment will be made on minor material items, hardware, etc.

No advanced payment will be made for materials when it is anticipated that those materials will be incorporated into the project within 60 calendar days.

Advanced payment will be paid for those materials which are not readily available, and which can be easily identified and secured for a specific project and for which lengthy stockpiling periods would not be detrimental.

Where a storage area is used for more than one project, material for each project shall be segregated from material for other projects, identified, and secured. Adequate access for auditing shall be provided. All units shall be stored in a manner so that they are clearly visible for counting and/or inspection of the individual units.

Unless specifically provided for in the contract, advance payment will not be made on materials, except for fabricated structural steel members or prestress concrete members, stored or stockpiled outside of the State of Mississippi.

Materials for which an advanced payment has been allowed must be paid for by the Contractor within 60 days of the estimate on which the advanced payment was first allowed and proof of said payment must be verified by the supplier. If proof of payment is not furnished within the allowable 60 days, the advanced payment will be deducted on subsequent current estimates until such time proof of payment is furnished.

As the materials are incorporated into the work, proportionate reductions for advance payments shall be made from monthly estimates covering the work performed. Calculation of percentage of completion, or rate of progress, shall be based on completed work and no consideration will be given to stockpiled materials.

**907-109.07--Changes in Material Costs.** Delete the third full paragraph of Subsection 109.07 on page 96 and substitute the following.

A link to the established base prices for bituminous products and fuels will be included in the contract documents under a Notice to Bidders entitled "Petroleum Products Base Prices."

Delete the last paragraph of Subsection 109.07 on pages 97 & 98, and substitute the following.

Adjustments herein provided shall not apply to fuels consumed or materials incorporated into the work during any monthly estimate period falling wholly after the expiration of contract time as defined in Subsection 101.02 of the applicable Mississippi Standard Specifications for Road and Bridge Construction, and as determined by checked final quantities.

**MISSISSIPPI DEPARTMENT OF TRANSPORTATION**

| **SPECIAL PROVISION NO. 907-110-2**

**CODE: (SP)**

| **DATE: 04/02/2010**

**SUBJECT: Wage Rates**

Section 110, Required Contract Provisions, of the 2004 Edition of the Mississippi Standard Specifications for Road and Bridge Construction is hereby amended as follows:

**907-110.02--Application.** Delete Subsection 110.02.2 on page 100 and substitute the following.

**907-110.02.2--Wage Rates.** All persons employed or working upon the site of the work will be paid at wage rates not less than those contained in the wage determination decision of the Secretary of Labor in effect 10 days prior to taking bids.

| **Bidders are advised that regardless of the wage rates listed in the Supplement to FHWA 1273 in the contract, minimum federal wage rates must be paid.**

**MISSISSIPPI DEPARTMENT OF TRANSPORTATION**

**SPECIAL PROVISION NO. 907-216-1**

**CODE: (IS)**

**DATE: 05/22/2013**

**SUBJECT: Solid Sodding**

Section 216, Solid Sodding, of the 2004 Edition of the Mississippi Standard Specifications for Road and Bridge Construction is hereby amended as follows.

**907-216.04--Method of Measurement.** Delete the third and fourth paragraphs of Subsection 216.04 on page 144.

**907-216.05--Basis of Payment.** Delete the first paragraph of Subsection 216.05 on pages 144 and 145, and substitute the following.

Solid sodding will be paid for at the contract unit price per square yard, which price shall be full compensation for all labor, equipment, materials, tools, ground preparation, fertilization, and all incidentals necessary to complete the work.

Add the "907" prefix to the pay items listed on page 145.

## MISSISSIPPI DEPARTMENT OF TRANSPORTATION

| SPECIAL PROVISION NO. 907-225-4

CODE: (IS)

| DATE: 10/28/2014

SUBJECT: Grassing

Section 225, Grassing, of the 2004 Edition of the Mississippi Standard Specifications for Road and Bridge Construction is hereby amended as follows.

| Delete Section 225 on pages 158 thru 163, and substitute the following.

### **SECTION 907-225--GRASSING**

**907-225-01--Description.** This work consists of furnishing, transporting, placing, plant establishment, and all work, including ground preparation, fertilizing, seeding, and mulching, necessary to produce a satisfactory and acceptable growth of grass.

At the Contractor's option, seeds and mulch may be incorporated using a hydraulically applied method under certain limitations. Under no circumstances shall fertilizer be incorporated hydraulically.

#### **907-225.02--Materials.**

**907-225.02.1--Fertilizers.** Fertilizers for purposes of this specification shall be understood to include standard manufactured products consisting of single or combination ingredients and agricultural limestone.

All fertilizer shall comply with the State fertilizer laws, Subsection 715.02, and the requirements of this specification.

**907-225.02.2--Seeds.** Seeds shall meet the requirements of Subsection 715.03, subject to the provisions of this subsection. The Contractor shall acquire seed from persons registered with the Mississippi Department of Agriculture and Commerce.

Except for the germination requirements, bags of seeds properly labeled or tagged according to law and indicating characteristics meeting or exceeding the requirements of Subsection 715.03 will be acceptable for planting.

The Contractor should provide adequate dry storage facilities for seeds, and shall furnish access to the storage for sampling stored seed.

#### **907-225.02.3--Mulch.**

**907-225.02.3.1--Vegetative Mulch.** The vegetative materials for mulch shall meet the



requirements of Subsection 215.02.

**907-225.02.3.2--Hydraulically Applied Mulch (Hydromulch).** Fibers for hydromulch shall be produced from wood, straw, cellulose, natural fibers, or recycled fibers which are free of non-biodegradable substances. The fiber shall disperse into a uniform slurry when mixed with water. Fibers shall be colored green, or other approved contrasting color, and shall not stain concrete or other surfaces. The use of tackifiers or activators will be allowed.

Hydromulch shall be listed on the Department's "Approved Sources of Materials".

**907-225.02.3.2.1--Wood Fiber Mulch.** Wood fiber mulch shall be made from wood chip particles manufactured particularly for discharging uniformly on the ground surface when dispersed by a hydraulic water sprayer. It shall remain in uniform suspension in water under agitation and blend with grass seed and fertilizer to form a homogeneous slurry. The fibers shall intertwine physically to form a strong moisture-holding mat on the ground surface and allow rainfall to percolate the underlying soil. The fiber material shall be heat processed so as to contain no germination or growth-inhibiting factors. The mulch shall be dyed an appropriate color to facilitate the application of material using non-toxic dye.

**907-225.02.3.2.2--Cellulose Fiber Mulch.** Cellulose fiber mulch consist of recycled paper stock products which are shredded into small pieces particular for application by hydraulic seeding equipment. It shall mix readily and uniformly under agitation with water and blend with grass seed and fertilizer to form a homogeneous slurry. When applied to the ground surface, the material shall form a strong moisture-holding mat, allow rainfall to percolate the underlying soil, and remain in place until the grass root system is established. The material shall contain no growth inhibiting characteristic or organisms. The mulch shall be dyed an appropriate color to facilitate the application of material using non-toxic dye.

**907-225.02.3.2.3--Wood/Cellulose Fiber Mulch.** Wood/cellulose fiber mix hydroseeding mulch shall consist of a combination of the above wood and cellulose fibers at a ratio recommended by the manufacturer of the products.

**907-225.02.3.2.4--Straw Mulch.** Straw mulch shall consist of a natural straw fiber. This material shall be a minimum 90% straw and essentially free from plastic materials or other non-bio degradable substances. The material shall be disperse into a uniform mulch slurry when mixed with water.

**907-225.02.3.2.5--Tackifier.** The tackifier will serve the purpose of an adhesive to form a bond between the soil, fiber, and seed particles. It will also allow the soil to retain moisture. The tackifier shall be of the organic or synthetic variety.

### **907-225.03--Construction Requirements.**

**907-225.03.1--Ground Preparation.** Ground preparation, light or standard, consists of plowing, loosening, and pulverizing the soil to form suitable beds for erosion control items in reasonably close conformity with the established lines and grades without appreciable humps or depressions.

When grassing an area that has been previously planted with temporary grassing, a standard ground preparation will be required. The previously planted grasses shall be disked, tilled, plowed, etc. to assure that the existing temporary grasses are thoroughly mixed into the soil.

Any equipment used for ground preparation shall be approved units suitable to perform the work and subject to the requirements of Subsection 108.05.

The Contractor shall take full advantage of weather and soil conditions, and no attempt shall be made to prepare soil when it is wet or in a condition which will not allow the soil to be properly tilled.

Light ground preparation should be used on areas where seeding is required to improve the coverage of partially vegetated areas.

Standard ground preparation should be used on areas designated to be solid sodded and unvegetated areas designated to be seeded.

Aerating, moistening, or otherwise bringing the soil to a suitable condition for ground preparation shall be considered as incidental to the work and will not be measured for separate payment.

**907-225.03.1.1--Light Ground Preparation.** Light ground preparation consists of scratching the surface with a close-tooth harrow, disk-harrow, or similar equipment. The depth of scratching should be at least three-quarters inch but not deep enough to damage existing grasses of the type being planted.

**907-225.03.1.2--Standard Ground Preparation.** Standard ground preparation consists of plowing or disk-harrowing and thoroughly pulverizing the areas immediately before the application of erosion control (vegetative) items. Unless otherwise specified, the pulverized and prepared seedbed should be at least four inches deep and shall be reasonably free of large clods, earthballs, boulders, stumps, roots and other objectionable matter. Incorporation of fertilizer and ground preparation may be performed simultaneously.

**907-225.03.2--Fertilizing.** Fertilizing consists of furnishing, transporting, spreading, and incorporating fertilizers. The Contractor shall furnish all equipment necessary to properly handle, store, uniformly spread, and incorporate the specified application of fertilizer.

The Contractor shall incorporate 13-13-13 commercial fertilizer at the rate indicated in the vegetation schedule in the plans. The equivalent rate of other type fertilizers will be allowed if the equivalent percentages of Nitrogen, Phosphorus and Potassium are obtained. The Contractor shall incorporate agricultural limestone at the rate indicated in the vegetation schedule in the plans. Fertilization shall be applied uniformly on the areas to be planted or seeded and uniformly incorporated into the soil.

Fertilizers should be applied on individual areas of not more than three (3) acres.

All fertilizer should be incorporated within 24 hours following spreading.

**907-225.03.3--Seeding.** Seeding consists of furnishing and planting seeds in a prepared seedbed, covering the seeds, and providing plant establishment on all areas seeded.

Prior to planting the seeds, ground preparation and fertilizing shall be satisfactorily performed.

The required type of seeds, minimum rates of application, and planting dates of seeds are shown in the vegetation schedule in the plans.

It is the Contractor's responsibility to apply an ample amount of each type of seed to produce a satisfactory growth of grass and of the seed type required. At the completion of the project, a satisfactory growth of grass will be required. Reference Section 210 for satisfactory growth and coverage of dormant seed.

Seeding should not be done during windy weather or when the ground is frozen, extremely wet, or in a condition which will not allow the soil to be properly tilled.

**907-225.03.3.1--Conventional Application.** Legume seeds should be treated in accordance with Subsection 715.03.4 immediately before sowing. Seeds should be uniformly sown over the entire area with mechanical seeders. Seeds of different sizes may necessitate separate sowing. When legume seeds become dry, they should be re-inoculated.

All seeds should be covered lightly with soil by raking, rolling, or other approved methods, and the area compacted with a cultipacker.

Mulching should be performed as soon as practicable after seeding.

**907-225.03.3.2--Hydroseeding Application.** Seeds may be applied using the hydroseeding method except during the months of June, July, August, and September. During these months, the seeding shall be incorporated in accordance with the above Conventional Application method.

The seed(s) shall be combined into a distribution tank with all required ingredients on the project site. The application of the seed(s) and all ingredients shall be performed in one operation.

Mulching should be performed simultaneously with or as soon as practicable after seeding.

**907-225.03.3.3--Plant Establishment.** The Contractor should provide plant establishment on all areas seeded until release of maintenance. At the completion of the project, a satisfactory growth of grass will be required. The Contractor should reference Subsection 210 for satisfactory growth and coverage of dormant seed.

Plant establishment should be provided for a minimum period of 45 calendar days after completion of seeding. In the event satisfactory growth and coverage has not been attained by the end of the 45-day period, plant establishment should be continued until a satisfactory growth

and coverage is provided for at least one kind of plant as referenced in Section 210. The Contractor shall perform plant establishment on all areas of temporary seeding until the Engineer determines that the temporary seeding has served its purpose.

Plant establishment shall consist of preserving, protecting, watering, reseeding, mowing, and other work necessary to keep the seeded areas in satisfactory condition.

Areas requiring reseeding should be prepared and seeded and all other work performed as if the reseeding was the initial seeding. The types and application rates of fertilizer will be at the discretion of the Contractor.

**907-225.03.3.4--Growth and Coverage.** It shall be the Contractor's responsibility to provide satisfactory growth and coverage of grasses, legumes, or combination produced from the specified seeding.

Growth and coverage on seeded areas will be considered to be in reasonably close conformity with the intent of the contract when the type of vegetation specified, exclusive of that from seeds not expected to have germinated and shows growth at that time, has reached a point of maturity where stems or runners overlap adjacent similar growth in each direction over the entire area.

**907-225.03.4--Mulching.** Mulching consists of furnishing, transporting, and placing mulch on slopes, shoulders, medians, and other designated areas. Unless otherwise noted in the contract or directed by the Engineer, the Contractor has the option to place mulch by the conventional method or by the hydraulic method.

**907-225.03.4.1--Vegetative Mulch.**

**907-225.03.4.1.1--Equipment.** Mulching equipment should be capable of maintaining a constant air stream which will blow or eject controlled quantities of mulch in a uniform pattern.

Mulch stabilizers should consist of dull blades or disks without camber and approximately 20 inches in diameter. The disks should be notched, should be spaced at approximately 8-inch intervals, and should be equipped with scrapers. The stabilizer should weigh approximately 1000 to 1200 pounds, should have a working width of no more than eight feet, and should be equipped with a ballast compartment, so that weight can be increased.

**907-225.03.4.1.2--Placement of Vegetative Mulch.** Mulching should be placed uniformly on designated areas within 24 hours following seeding unless weather conditions are such that mulching cannot be performed. Placement should begin on the windward side of areas and from tops of slopes. In its final position, the mulch should be loose enough to allow air to circulate but compact enough to partially shade the ground and reduce erosion.

The baled material should be loosened and broken thoroughly before it is fed into the machine to avoid placement of unbroken clumps.

**907-225.03.4.1.3--Anchoring Mulch.** The mulch should be anchored by using a mulch

stabilizer when not hydraulically applied. If a mulch stabilizer is used, the mulch should be punched into the soil for a minimum depth of one inch.

When mulch stabilizers are used, anchoring the mulch should be performed along the contour of the ground surface.

**907-225.03.4.2--Hydromulch.** Hydromulch shall be applied in accordance with the installation instructions and recommendations of the manufacturer. Hydromulch shall be uniformly applied at the manufacturer's recommended application rate. In no case shall the application rate be less than one (1) ton per acre.

**907-225.03.4.3--Protection and Maintenance.** The Contractor should maintain and protect mulched areas until the Release of Maintenance of the project. The Contractor should take every precaution to prevent unnecessary foot and vehicular traffic.

The Contractor should mow, remove or destroy any undesirable growth on all areas mulched as soon as any undesirable growth appears. This will prevent competition with the desired plants and to prevent reseeding of undesirable growth.

**907-225.03.5--Hydro Equipment.** The equipment for hydraulically applying seed and mulch shall have a built-in agitation system with an operating capacity sufficient to agitate, suspend, and homogeneously mix slurry of the specified amount of fiber, seed, and water. The slurry distribution lines shall be large enough to prevent stoppage. The discharge line shall be equipped with a set of hydraulic spray nozzles, which will provide even distribution of the slurry on the various areas to be seeded.

The mixture shall all be combined into the slurry tank for distribution of all ingredients in one operation as specified herein. The materials shall be combined in a manner recommended by the manufacturer. The slurry mixture shall be so regulated that the amounts and rates of application shall result in a uniform application of all materials at rates not less than the amounts specified. Using the color of the mulch as a guide, the equipment operator shall spray the prepared seedbed with a uniform visible coat. The slurry shall be applied in a sweeping motion, in an arched stream, so as to fall like rain, allowing the mulch to build upon each other until an even coat is achieved.

**907-225.03.6--Vegetation Schedule.** When a vegetation schedule is not shown in the plans or when the contract does not have an official set of plans, the following application rates shall be used, unless otherwise noted or approved by the Engineer.

Agricultural Limestone -----	1,000 pounds per acre	--- March 1 to September 1
13-13-13 Commercial Fertilizer -----	250 pounds per acre	--- March 1 to September 1
Vegetative Materials -----	2 tons per acre	
Bermudagrass -----	80 pounds per acre	--- March 1 to September 1
	20 pounds per acre	--- September 1 to March 1 *
Bahiagrass -----	80 pounds per acre	--- March 1 to September 1
	25 pounds per acre	--- September 1 to March 1

Tall Fescue -----	25 pounds per acre ---	March 1 to September 1
	100 pounds per acre ---	October 1 to March 1 **
Sericea Lespedeza -----	25 pounds per acre ---	March 1 to September 1
	25 pounds per acre ---	September 1 to March 1
Crimson Clover -----	20 pounds per acre ---	August 1 to April 1

\* 80 pounds per acre in District 3 Delta

\*\* 25 pounds per acre in District 3 Delta

**907-225.04--Method of Measurement.** Grassing will be measured by the acre. Acceptance will be based on a satisfactory growth and coverage of seeds planted.

Acceptable quantities of agricultural limestone will be measured by the ton.

Acceptable quantities for mulch will be measured by the ton. For vegetative mulch, the weight for measurement will be the product of the number of bales acceptably placed and the average weight per bale as determined on approved scales provided by the Contractor. Anchoring of vegetative mulch will not be measured for separate payment. The cost of anchoring shall be absorbed in the prices bid for other items of work. For hydromulch, the weight for measurement will be the dry weight of the packaged fibers used in the mixture. No payment will be allowed for water, additives, tackifier, or other liquids used in the mixture.

**907-225.05--Basis of Payment.** Grassing, measured as prescribed above, will be paid for at the contract unit price per acre, which will be full compensation for all required materials, equipment, labor, testing and all work necessary to establish a satisfactory growth of grass.

Hard rock agricultural limestone will be paid for at the contract unit price per ton. Hard rock agricultural limestone with a relative neutralizing value (RNV), determined in accordance with Subsection 907-715-02.2.1.3, of between 60.0% and 62.9% will be paid for at half (1/2) the contract unit price per ton. No payment will be made for hard rock agricultural limestone with an RNV less than 60.0%.

Mulch, measured as prescribed above, will be paid for at the contract unit price per ton, which price shall be full compensation for all materials, equipment, labor, and incidentals necessary to complete the work.

Payment will be made under:

907-225-A:	Grassing	- per acre
907-225-B:	Agricultural Limestone	- per ton
907-225-C:	Mulch, Vegetative Mulch	- per ton
907-225-D:	Mulch, Hydromulch	- per ton

## MISSISSIPPI DEPARTMENT OF TRANSPORTATION

| SPECIAL PROVISION NO. 907-237-4

CODE: (SP)

| DATE: 03/13/2012

SUBJECT: Wattles

Section 907-237, Wattles, is hereby added to and made a part of the 2004 Edition of the Mississippi Standard Specifications for Road and Bridge Construction as follows.

### SECTION 907-237 - WATTLES

**907-237.01--Description.** This work consists of furnishing, constructing and maintaining wattles for the retention of soil around inlets, swale areas, small ditches, sediment basins and other areas as necessary. Also, the work includes removing and disposing of the wattles and silt accumulations.

Measurement and payment for wattles will be made only when a pay item is included in the bid schedule of the proposal. The quantity is estimated for bidding purposes only and will be dependent upon actual conditions which occur during construction of the project.

| **907-237.02--Materials.** Wattles used around inlets shall have a diameter of twelve inches (12") and a length adequate to meet field conditions. Wattles used at other locations shall have a diameter of twenty inches (20") and a length adequate to meet field conditions. **The minimum diameter for the above wattle sizes shall be one inch (1") less than the specified diameter.**

The stakes used in securing the wattles in place shall be placed approximately three feet (3') apart throughout the length of the wattle. Stakes shall be wooden and of adequate size to stabilize the wattles to the satisfaction of the Engineer.

In addition to the requirements of this specifications, wattles shall be listed on the Department's "Approved Sources of Materials".

### **907-237.03--Construction Requirements.**

**907-237.03.1--General.** The wattles shall be constructed at the locations and according to the requirements shown on the erosion control plan.

**907-237.03.2--Maintenance and Removal.** The Contractor shall maintain the wattles and remove and dispose of silt accumulations.

When the wattles are no longer needed, they shall be removed and the Contractor shall dispose of silt accumulations and treat the disturbed areas in accordance with the contract requirements.

**907-237.04--Method of Measurement.** Wattles of the size specified will be measured per linear foot.

**907-237.05--Basis of Payment.** Wattles, measured as prescribed above, will be paid for at the contract unit price per linear foot, which price shall be full compensation for installation, maintaining and removal of the wattles, the removal and disposal of silt accumulations and any required restoration of the disturbed areas.

Payment will be made under:

907-237-A: Wattles, Size - per linear foot



## MISSISSIPPI DEPARTMENT OF TRANSPORTATION

SPECIAL PROVISION NO. 907-246-3

CODE: (SP)

DATE: 11/08/2010

SUBJECT: Sandbags and Rockbags

Section 907-246, Sandbags and Rockbags, is hereby added to and made a part of the 2004 Edition of the Mississippi Standard Specifications for Road and Bridge Construction as follows.

### SECTION 907-246 -- SANDBAGS AND ROCKBAGS

**907-246.01--Description.** This item of work shall consist of the furnishing, installing, and maintaining sandbags and rockbags for the purpose of temporary erosion control by intercepting and slowing the flow of sediment-laden runoff water, or for use as a temporary dam.

**907-246.02--Materials.** The filler material for sandbags shall consist of a fine aggregate meeting the requirements of Subsection 703.02. The filler material for rockbags shall consist of a size 57 aggregate meeting the requirements of Subsection 703.03.

The bag material shall be woven polypropylene, polyethylene or polyamide fabric with a minimum unit weight of four (4) ounces per square yard. The bags shall be a minimum of 21 inches in length, 12 inches in width, and four (4) in thickness when filled.

**907-246.03--Construction Requirements.** Sandbags and rockbags shall be used to construct a berm/dam which will intercept sediment-laden storm water runoff from disturbed areas, create a retention pond, detain sediment, and release water in sheet flow. Sand or rock shall be placed in the bag so that at least the top six (6) inches of the bag is unfilled to allow for proper tying of the open end. Any subsequent rows of bags shall be offset one-half the length of the preceding row to provide a layered brick-type arrangement.

The sandbag and rockbag berm/dam installation shall be maintained in good condition by the Contractor. All necessary work and materials to maintain the integrity of the installation shall be provided until earthwork construction is complete and permanent erosion-control features are in place. The maintenance of the bags will not be paid for separately and will be included in the cost for sandbags or rockbags.

**907-246.04--Method of Measurement.** Sandbags and rockbags will be measured per linear foot or each.

Sandbags and rockbags measured by the linear foot shall be in accordance with the details in the erosion control drawing. The length of the sandbag or rockbag berm/dam will be measured end-to-end along the cross-section of the ditch in accordance with the erosion control drawing.

**907-246.05--Basic of Payment.** Sandbags and rockbags, measured as prescribed above, will be

paid for per linear foot or each, which prices shall be full compensation for furnishing bags, [fine aggregate](#), [size 57 aggregate](#), placement of bags, maintenance of the installation, removal and disposal of the sediment deposits and removal after construction has been completed, and for all labor, tools, equipment and incidentals necessary to complete the work.

Payment will be made under:

907-246-A: Sandbags - per linear foot or each

[907-246-B: Rockbags](#) - per linear foot or each

# MISSISSIPPI DEPARTMENT OF TRANSPORTATION

SPECIAL PROVISION NO. 907-304-13

CODE: (SP)

DATE: 06/06/2012

SUBJECT: Granular Courses

Section 907-304, Granular Courses, of the 2004 Edition of the Mississippi Standard Specifications for Road and Bridge Construction is hereby amended as follows.

**907-304.02--Materials.** After the first paragraph of Subsection 304.02.1 on page 183, add the following.

Crushed concrete meeting the requirements of Subsection 907-703.04.3 may be used in lieu of granular courses or crushed stone courses specified in the contract. This applies to base courses, shoulders, or other required construction on a prepared foundation.

**907-304.03--Construction Requirements.**

**907-304.03.5--Shaping, Compacting and Finishing.** Delete the sixth paragraph of Subsection 304.03.5 on page 185.

Delete the first table in Subsection 304.03.5 on page 186 and substitute the following.

Granular Material Class	Lot Average	Individual Test
7,8,9 or 10	97.0	93.0
5 or 6	99.0	95.0
3 or 4	100.0	96.0
1 or 2	102.0	98.0
Crushed Courses*	99.0	95.0

\* When placed on filter fabric on untreated subgrade, the individual tests and the average of the five (5) tests shall equal or exceed the following values.

<u>Lot Average</u>	<u>Individual Test</u>
96.0	92.0

**907-304.05--Basis of Payment.** Add the “907” prefix to the pay items listed on page 187.

# MISSISSIPPI DEPARTMENT OF TRANSPORTATION

SPECIAL PROVISION NO. 907-401-7

CODE: (SP)

DATE: 12/02/2014

SUBJECT: Asphalt Pavements

Section 401, Hot Mix Asphalt (HMA) - General, of the 2004 Edition of the Mississippi Standard Specifications for Road and Bridge Construction is hereby deleted and replaced as follows.

## **SECTION 907-401 - ASPHALT PAVEMENT -- GENERAL**

**907-401.01--Description.** These specifications include general requirements that are applicable to all types of asphalt whether producing Hot Mix Asphalt (HMA) mixtures or Warm Mix Asphalt (WMA) mixtures. These specifications also include the specific requirements for each particular mixture when deviations from the general requirements are necessary.

This work consists of the construction of one or more lifts of asphalt pavement in accordance with these specifications and the specific requirements for the mixture to be produced and in reasonably close conformity with the lines, grades, thicknesses and typical sections shown on the plans or established by the Engineer.

### **907-401.01.1--Definitions.**

**Maximum Sieve Size** - Maximum sieve size is the smallest sieve size at which 100 percent of the aggregate passes.

**Nominal Maximum Sieve Size** - The nominal maximum sieve size is one sieve size larger than the first sieve to retain more than 10 percent of the aggregate.

**Maximum Density Line** - The maximum density line is a straight line plot on the FHWA 0.45 power gradation chart which extends from the zero origin point of the chart through the plotted point of the combined aggregate gradation curve on the nominal maximum sieve size.

**Mechanically Fractured Face** - An angular, rough, or broken surface of an aggregate particle created by crushing as determined by ASTM Designation: D 5821.

### **907-401.02--Materials.**

#### **907-401.02.1--Component Materials.**

**907-401.02.1.1--General.** Component materials will be conditionally accepted at the plant subject to later rejection if incorporated in a mixture or in work which fails to meet contract requirements.

**907-401.02.1.2--Aggregates.** The source of aggregates shall meet the applicable requirements of Section 703.

**907-401.02.1.2.1--Coarse Aggregate Blend.** Mechanically fractured faces by weight of the combined mineral aggregate coarser than the No. 4 sieve:

<u>Mixture</u>	<u>Percent Fractured Faces, minimum</u>
25-mm	70, one-face
19-mm *	80, one-face
12.5-mm	90, two-face
9.5-mm	90, two-face
4.75-mm	90, two-face

\* When used on routes requiring polymer modified asphalt, the top intermediate lift (19-mm mixture), including travel lane and adjacent lane, shall have at least 90 percent two fractured faces minimum. When placed on an existing Portland Cement Concrete surface, all intermediate lifts (19-mm mixture) shall have at least 90 percent fractured two faces minimum.

The maximum percentage by weight of flat and elongated particles, for all mixes other than 4.75-mm, maximum to minimum dimension greater than 5, shall not exceed 10% for all mixtures. This shall be determined in accordance with ASTM Designation: D 4791, Section 8.4, on the combined mineral aggregate retained on the 3/8" sieve.

**907-401.02.1.2.2--Fine Aggregate Blend.** Of all the material passing the No. 8 sieve and retained on the No. 200 sieve, not more than 60 percent shall pass the No. 30 sieve.

Uncrushed natural sand shall pass the 3/8" sieve and may be used, excluding the content in RAP, in the percentages of the total mineral aggregate by weight set out in the following table:

Mixture	Maximum Percentage of Natural Sand by Total Weight of Mineral Aggregate		
	HT	MT	ST
25-mm	10	10	20
19-mm	10	10	20
12.5-mm	10	10	20
9.5-mm	10	10	10
4.75-mm	25	30	35

**907-401.02.1.2.3--Combined Aggregate Blend.**

**Design Master Range**

Mixture:	25-mm	19-mm	12.5-mm	9.5-mm	4.75-mm
Nominal Maximum Sieve Size:	1 inch	3/4 inch	1/2 inch	3/8 inch	1/4 inch
Sieve Size	Percent Passing				
1½ inch	100				
1 inch	90-100	100			
¾ inch	89 max.	90-100	100		
½ inch	-	89 max.	90-100	100	100
3/8 inch	-	-	89 max.	90-100	95-100
No. 4	-	-	-	89 max.	90-100
No. 8	16-50	18-55	20-60	22-70	-
No. 16	-	-	-	-	30-60
No. 200	4.0-9.0	4.0-9.0	4.0-9.0	4.0-9.0	6.0-12.0

For MT and HT mixtures, the combined aggregate gradation of the job mix formula, when plotted on FHWA 0.45 power chart paper, shall fall entirely below the Maximum Density Line on all sieve sizes smaller than the No. 4 sieve. However, MT and HT mixtures having a minimum fine aggregate angularity index of 44.0, per ASTM Designation: C1252, Method A, may be designed above the maximum density line.

The 9.5-mm mixtures shall have a minimum fine aggregate angularity of 44.0 for HT and MT mixtures and 40.0 for ST mixtures when tested on combined aggregate in accordance with ASTM Designation: C1252 Method A. The 4.75-mm mixtures shall have a minimum fine aggregate angularity of 45.0 for all design levels when tested on combined aggregate in accordance with ASTM Designation: C 1252, Method A.

The minus No. 40 fraction of the combined aggregate shall be non-plastic when tested according to AASHTO Designation: T 90. The clay content for the combined aggregate for underlying layers shall not exceed 1.0 percent, and for the top layer shall not exceed 0.5 percent by weight of the total mineral aggregate when tested according to AASHTO Designation: T 88.

**907-401.02.1.3--Bituminous Materials.** Bituminous materials shall meet the applicable requirements of Section 702 for the grade specified.

Tack coat shall be the same neat grade asphalt cement used in the mixture being placed or those materials specified for tack coat in Table 410-A on the last page of Section 410. Emulsified asphalt shall not be diluted without approval of the Engineer.

**907-401.02.1.4--Blank.**

**907-401.02.1.5--Hydrated Lime.** Hydrated lime shall meet the requirements of Subsection

714.03.2 for lime used in soil stabilization.

**907-401.02.1.6--Asphalt Admixtures.** Additives for liquid asphalt, when required or permitted, shall meet the requirements of Subsection 702.08.

**907-401.02.1.7--Polymers.** Polymers for use in polymer modified asphalt pavements shall meet the requirements of Subsection 702.08.3.

**907-401.02.2--WMA Products and Processes.** The Department will maintain a list of qualified WMA products and processes. No product or process shall be used unless it appears on this list.

The Contractor may propose other products or processes for approval by the Product Evaluation Committee. Documentation shall be provided to demonstrate laboratory performance, field performance, and construction experience.

**907-401.02.3--Composition of Mixtures.**

**907-401.02.3.1--General.** Unless otherwise specified or permitted, the asphalt shall consist of a uniform mixture of asphalt, aggregate, hydrated lime and, when required or necessary to obtain desired properties, antistripping agent and/or other materials.

The total amount of crushed limestone aggregate for mixtures, excluding shoulders, when used in the top lift, shall not exceed 50 percent of the total combined aggregate by weight.

Hydrated lime shall be used in all asphalt at the rate of one percent (1%) by weight of the total dry aggregate including aggregate in RAP, if used. The aggregate, prior to the addition of the hydrated lime, shall contain sufficient surface moisture. If necessary, the Contractor shall add moisture to the aggregate according to the procedures set out in Subsection 907-401.03.2.1.2.

The Contractor shall obtain a shipping ticket for each shipment of hydrated lime. The Contractor shall provide the District Materials Engineer with a copy of each shipping ticket from the supplier, including the date, time and weight of hydrated lime shipped and used in hot mix asphalt production. An amount equal to twenty-five percent (25%) of the total value of asphalt items performed during the initial estimate period in which the Contractor fails to submit the hydrated lime shipping tickets to the District Materials Engineer will be withheld from the Contractor's earned work. Non-conformance with this specification for successive estimate period(s) will result in the total value (100%) of asphalt items performed during this period(s) being withheld from the Contractor's earned work. Monies withheld for this non-conformance will be released for payment on the next monthly estimate following the date the submittal of hydrated lime shipping tickets to the District Materials Engineer is brought back into compliance with this specification.

Mixtures will require the addition of an antistripping agent when the Tensile Strength Ratio (MT-63) and/or the Boiling Water Test (MT-59) fail to meet the following criteria.

Tensile Strength Ratio (TSR - MT-63)

Wet Strength / Dry Strength .....	85 percent minimum
Interior Face Coating .....	95 percent minimum
Boiling Water Test (MT-59)	
Particle Coating .....	95 percent minimum

Reclaimed asphalt pavement (RAP) materials may be used in the production of asphalt in the percentages of the total mix by weight set out in the following table:

Asphalt Mixture	Maximum Percentage of RAP by total weight of mix
4.75-mm	0
9.5-mm	20 *
12.5-mm Surface Lift	20 *
12.5-mm Underlying Lift	30
19-mm	30
25-mm	30

\* At a minimum, RAP shall be processed and/or screened such that the RAP material size does not exceed the nominal maximum sieve size for the mixture specified.

During asphalt production, the RAP shall pass through a maximum 2-inch square sieve located in the asphalt plant after the RAP cold feed bin and prior to the RAP weighing system.

Crushed reclaimed concrete pavement may be used as an aggregate component of all asphalt pavements. When crushed reclaimed concrete pavement is used as an aggregate component, controls shall be implemented to prevent segregation. Crushed reclaimed concrete pavement aggregate shall be separated into coarse and fine aggregate stockpiles using the 3/8-inch or 1/2-inch sieve as a break-point unless otherwise approved by the Engineer in writing.

**907-401.02.3.1.1--Mixture Properties.**

<u>ALL MIXTURES</u>	<u>Percent of Maximum Specific Gravity (Gmm)</u>
N <sub>Design</sub>	96.0
N <sub>Initial</sub>	Less than 90.0
N <sub>Maximum</sub>	Less than 98.0
 <u>VMA CRITERIA</u>	 <u>Minimum percent</u>
25-mm mixture	12.0
19-mm mixture	13.0
12.5-mm mixture	14.0
9.5-mm mixture	15.0
4.75-mm mixture	16.0

Mixtures with VMA more than two percent higher than the minimum may be susceptible to



flushing and rutting; therefore, unless satisfactory experience with high VMA mixtures is available, mixtures with VMA greater than two percent above the minimum should be avoided.

The specified VFA range for 4.75-mm nominal maximum size mixtures for design traffic levels >3 million ESAL's (HT Mixtures) shall be 75 to 78 percent, for design traffic levels of 1.0 to 3 million ESAL's (MT mixtures) 65 to 78 percent, and for design traffic levels of <1.0 million ESAL's (ST mixtures) 65 to 78 percent.

DUST/BINDER RATIO for 4.75-mm mixtures

Percent Passing No.200 / Effective Binder Percent ..... 0.9 to 2.0

DUST/BINDER RATIO for 9.5-mm, 12.5-mm, 19-mm & 25-mm mixtures

Percent Passing No.200 / Effective Binder Percent ..... 0.8 to 1.6

**907-401.02.3.2--Job Mix Formula.** The job mix formula shall be established in accordance with Mississippi Test Method: MT-78, where N represents the number of revolutions of the gyratory compactor.

Compaction Requirements:	$N_{Initial}$	$N_{Design}$	$N_{Maximum}$
High Type (HT) Mixtures			
19-mm, 12.5-mm, 9.5-mm & 4.75-mm	7	85	130
Medium Type (MT) Mixtures			
19-mm, 12.5-mm, 9.5-mm & 4.75-mm	7	65	100
All Standard Type (ST) Mixtures;			
25-mm HT & MT Mixtures	6	50	75

At least 10 working days prior to the proposed use of each mixture, the Contractor shall submit in writing to the Engineer a proposed job-mix formula or request the transfer of a verified job-mix formula as set forth in the latest edition of MDOT's Field Manual for HMA and SOP TMD-11-78-00-000. The proposed job-mix formula shall indicate whether the mixture will be produced as HMA or WMA. The process or product used to produce WMA should also be noted on the proposed documentation for the job-mix formula. The job-mix formula shall be signed by a Certified Mixture Design Technician (CMDT).

The Department will perform the tests necessary for review of a proposed job-mix formula for each required mixture free of charge one time only. A charge will be made for additional job-mix formulas submitted by the Contractor for review.

Review of the proposed job-mix formula will be based on percent maximum specific gravity at  $N_{Initial}$ ,  $N_{Design}$ , and  $N_{Maximum}$ , VMA @  $N_{Design}$ , resistance to stripping, and other criteria specified for the mixture.

The mixture shall conform thereto within the range of tolerances specified for the particular

mixture. No change in properties or proportion of any component of the job-mix formula shall be made without permission of the Engineer. The job-mix formula for each mixture shall be in effect until revised in writing by the Engineer.

A job-mix formula may be transferred to other contracts in accordance with conditions set forth in the Department's Field Manual for HMA.

The Contractor shall not place any asphalt prior to receiving "tentative" approval and a MDOT design number from the Central Laboratory.

When a change in source of materials, unsatisfactory mixture production results (such as segregation, bleeding, shoving, rutting over 1/8", raveling & cracking) or changed conditions make it necessary, a new job-mix formula will be required. The conditions set out herein for the original job-mix formula are applicable to the new job-mix formula.

In the event the Contractor wishes to change from an approved HMA job-mix formula to WMA or an approved WMA job-mix formula to HMA, the Contractor shall submit the proposed change in writing to the Engineer at least 10 working days prior to the proposed change. If no changes (other than the plant production temperature) are to be made to the job-mix formula, a new MDOT design number will be assigned by the MDOT Central Laboratory.

**907-401.02.4--Substitution of Mixture.** The substitution of a one (1) size finer mixture for an underlying lift shall require written permission of the State Construction Engineer, except no substitution of a 4.75-mm mixture will be allowed. A 9.5-mm mixture may be substituted for the 12.5-mm mixture designated on the plans as the top lift or pre-leveling. The 19-mm mixture may be substituted for the 25-mm mixture in trench widening work. Any substitution of mixtures shall be of the same type. No other substitutions will be allowed. The quantity of substituted mixture shall be measured and paid for at the contract unit price for the mixture designated on the plans. The substitution of any mixture will be contingent on meeting the required total structure thickness and maintaining the minimum and/or maximum laying thickness for the particular substituted mixture as set out in the following table.

Mixture	Single Lift Laying Thickness Inches	
	Minimum	Maximum
25-mm	3	4
19-mm	2¼	3½
12.5-mm	1½	2½
9.5-mm	1	1½
4.75-mm	½	¾

**907-401.02.5--Contractor's Quality Management Program.**

**907-401.02.5.1--General.** The Contractor shall have full responsibility for quality management

and maintain a quality control system that will furnish reasonable assurance that the mixtures and all component materials incorporated in the work conform to contract requirements. The Contractor shall have responsibility for the initial determination and all subsequent adjustments in proportioning materials used to produce the specified mixture. Adjustments to plant operation and spreading and compaction procedures shall be made immediately when results indicate that they are necessary. Mixture produced by the Contractor without the required testing or personnel on the project shall be subject to removal and replacement by the Contractor at no additional cost to the State.

**907-401.02.5.2--Personnel Requirements.** The Contractor shall provide at least one Certified Asphalt Technician-I (CAT-I) full-time during asphalt production at each plant site used to furnish material to the project. Sampling shall be conducted by a certified technician or by plant personnel under the direct observation of a certified technician. All testing, data analysis and data posting will be performed by the CAT-I or by an assistant under the direct supervision of the CAT-I. The Contractor shall have a Certified Asphalt Technician-II (CAT-II) available to make any necessary process adjustments. Technician certification shall be in accordance with MDOT SOP TMD-22-10-00-000, MDOT HMA Technician Certification Program. An organizational chart, including names, telephone numbers and current certification, of all those responsible for the quality control program shall be posted in the Contractor's laboratory while the asphaltic paving work is in progress.

**907-401.02.5.3--Testing Requirements.** As a minimum, the Contractor's quality management program shall include the following:

- (a) Bituminous Material. Provide Engineer with samples in a sealed one quart metal container at the frequency given in MDOT SOP TMD-20-04-00-000.
- (b) Mechanically Fractured Face. Determine mechanically fractured face content of aggregates retained on the No. 4 sieve, at a minimum of one test per day of production.
- (c) Mixture Gradation. Conduct extraction tests for gradation determination on the mixture. Sample according to the frequency in paragraph (i) and test according to Mississippi Test Method MT-31.
- (d) Total Voids and VMA. Determine total voids and voids in mineral aggregate (VMA), at  $N_{Design}$ , from the results of bulk specific gravity tests on laboratory compacted specimens. Sample according to the sampling frequency in paragraph (i) and test according to the latest edition of MDOT's Field Manual for HMA.
- (e) Asphalt Content. Sample according to the sampling frequency in paragraph (i). Determine the asphalt content using one of the following procedures.
  - (1) Nuclear gauge per Mississippi Test Method MT-6.
  - (2) Incinerator oven per AASHTO Designation: T 308, Method A.
- (f) Stripping Tests. Conduct a minimum of one stripping test at the beginning of each job-

mix production and thereafter, at least once per each two weeks of production according to Mississippi Test Method: MT-63 and one stripping test per day of production according to Mississippi Test Method: MT-59. Should either the TSR (MT-63) or the boiling water (MT-59) stripping tests fail, a new antistrip additive or rate shall be established or other changes made immediately that will result in a mixture which conforms to the specifications; otherwise, production shall be suspended until corrections are made.

- (g) Density Tests. For 25-mm, 19.5-mm, 12.5-mm & 9.5-mm mixtures, conduct density tests as necessary to control and maintain required compaction according to Mississippi Test Method: MT-16, Method C (nuclear gauge), or AASHTO Designation: T 166. Note - The nuclear gauge may be correlated, at the Contractor's option, with the average of a minimum of five pavement sample densities. For 4.75-mm mixtures, conduct density tests as necessary to control and maintain required compaction according to AASHTO Designation: T 166.
- (h) Quality Control Charts. Plot the individual test data, the average of the last four tests and the control limits for the following items as a minimum:

- Mixture Gradation (Percent Passing) Sieves:
  - 1/2-inch, 3/8-inch, No. 8, No. 16, No. 30 and No. 200.
  - Asphalt Content, Percent
  - Maximum Specific Gravity,  $G_{mm}$
  - Total Voids @  $N_{Design}$ , Percent
  - VMA @  $N_{Design}$ , Percent

**NOTE:** For 4.75-mm mixtures, Quality Control Charts for mixture gradation are not required on the No. 8 and No. 30 sieves. For 4.75-mm mixtures, as a minimum, Quality Control Charts for mixture gradation shall be kept on the 3/8-inch, No. 16 and No. 200 sieves. For all mixtures other than 4.75-mm, Quality Control Charts for mixture gradation are not required on the No. 16 sieve.

Keep charts up-to-date and posted in a readily observable location. Charts may be kept on a computer, however, the charts shall be printed out a minimum of once each production day and displayed in the laboratory. Note any process changes or adjustments on the Air Voids chart.

- (i) Sampling Frequency. Conduct those tests as required above at the following frequency for each mixture produced based on the estimated plant tonnage at the beginning of the day.

<u>Total Estimated Production, tons</u>	<u>Number of Tests</u>
50-800	1
801-1700	2
1701-2700	3
2701+	4

**NOTE:** Material placed in a storage silo from a previous day's production shall be randomly sampled and tested when removed for placement on the roadway. Such sample(s) shall be independent of the day's production sampling frequency and shall be used in calculating the four (4) sample running average.

- (j) Sample Requirements. Obtain the asphalt mixture samples from trucks at the plant. Obtain aggregate samples from cold feed bins or aggregate stockpile. Save a split portion of all mixture samples at the laboratory site in a dry and protected location for 14 calendar days. At the completion of the project, the remaining samples may be disposed of with the approval of the Engineer.

The above testing frequencies are for the estimated plant production for the day. If production is discontinued or interrupted, the tests will be conducted at the previously established sample tonnage points for the materials that are actually produced. If the production exceeds the estimated tonnage, sampling and testing will continue at the testing increments previously established for the day. A testing increment is defined as the estimated daily tonnage divided by the required number of tests from the table in Subsection 907-401.02.5.3 paragraph (i).

In addition to the above program, the following tests shall be conducted on the first day of production and once for every eight production samples thereafter, with a minimum of one test per production week.

Aggregate Stockpile Gradations per AASHTO Designations: T-11 and T-27.

Reclaimed Asphalt Pavement (RAP) Gradation per Mississippi Test Method MT-31.

Fine Aggregate Angularity for all 4.75-mm and 9.5-mm mixtures and all MT and HT mixtures designed above the maximum density line per ASTM Designation: C 1252, Method A.

Testing of the aggregate and RAP stockpiles during production will be waived provided the Contractor provides the Engineer with gradation test results for the materials in the stockpile determined during the building of the stockpiles. The test results provided shall represent a minimum frequency of one per one thousand tons of material in the stockpile. If the Contractor continues to add materials to the stockpile during asphalt production, the requirements for gradation testing during production are not waived.

**907-401.02.5.4--Documentation.** The Contractor shall document all observations, records of inspection, adjustments to the mixture, and test results on a daily basis. All tests conducted by the Contractor in accordance with Subsection 907-401.02.5.3(h) shall be included in the running average calculations. If single tests are performed as a check on individual asphalt properties, between regular samples, without performing all tests required in Subsection 907-401.02.5.3(h), the results of those individual tests shall not be included in the running average calculations for that particular property. The Contractor shall record the results of observations and records of inspection as they occur in a permanent field record. The Contractor shall record all process

adjustments and job mix formula (JMF) changes on the air void charts. The Contractor shall provide copies of all test data sheets and the daily summary reports on the appropriate Mississippi DOT forms to the Engineer on a daily basis. The Contractor shall provide a written description of any process change, including blend proportions, to the Engineer as they occur. Information provided to the Engineer must be received in the Engineer's office by no later than 9:00 AM the day after the asphalt is produced. Fourteen days after the completion of the placement of the asphalt, the Contractor shall provide the Engineer with the original testing records and control charts in a neat and orderly manner.

**907-401.02.5.5--Control Limits.** The following control limits for the job mix formula (JMF) and warning limits are based on a running average of the last four data points.

<u>Item</u>	<u>JMF Limits</u>	<u>Warning Limits</u>
Sieve - % Passing		
1/2-inch	± 5.5	± 4.0
3/8-inch	± 5.5	± 4.0
No. 8	± 5.0	± 4.0
No. 16, for 4.75-mm mixtures ONLY	± 4.0	± 3.0
No. 30	± 4.0	± 3.0
No. 200	± 1.5	± 1.0
Asphalt Content, %	-0.3 to +0.5	-0.2 to + 0.4
Total Voids @ N <sub>Design</sub> , %	± 1.3	± 1.0
VMA @ N <sub>Design</sub> , %	- 1.5	- 1.0

**907-401.02.5.6--Warning Bands.** Warning bands are defined as the area between the JMF limits and the warning limits.

**907-401.02.5.7--Job Mix Formula Adjustments.** A request for a JMF adjustment signed by a CAT-II may be made to the Engineer by the Contractor. Submit sufficient testing data with the request to justify the change. The requested change will be reviewed by the State Materials Engineer for the Department. If current production values meet the mixture design requirements, a revised JMF will be issued. Adjustments to the JMF shall conform to the latest edition of MDOT's Field Manual for HMA. Adjustments to the JMF to conform to actual production shall not exceed the tolerances specified for the JMF limits. Regardless of such tolerances, any adjusted JMF gradation shall be within the design master range for the mixture specified. The JMF asphalt content may only be reduced if the production VMA meets or exceeds the minimum design VMA requirements for the mixture being produced.

**907-401.02.5.8--Actions and Adjustments.** Based on the process control test results for any property in question, the following actions shall be taken or adjustments made when appropriate:

- (a) When the running average trends toward the warning limits, the Contractor shall consider taking corrective action. The corrective action, if any, shall be documented. All tests shall be part of the contract files and shall be included in the running average

- calculations.
- (b) The Contractor shall notify the Engineer whenever the running average exceeds the warning limits.
  - (c) If two consecutive running averages exceed the warning limit, the Contractor shall stop production and make adjustments. Production shall only be restarted after notifying the Engineer of the adjustments made.
  - (d) If the adjustment made under (c) improves the process such that the running average after four additional tests is within the warning limits, the Contractor may continue production with no reduction in payment.
  - (e) If the adjustment made under (c) does not improve the process and the running average after four additional tests stays in the warning band, the mixture will be considered unsatisfactory. Reduced payment for unsatisfactory mixtures will be applied starting from the stop point to the point when the running average is back within the warning limits in accordance with Subsection 907-401.02.6.3.
  - (f) Failure to stop production and make adjustments when required shall subject all mixture produced from the stop point to the point when the running average is back within the warning limits to be considered unsatisfactory. Reduced payment for unsatisfactory mixtures will be applied in accordance with Subsection 907-401.02.6.3.
  - (g) If the running average exceeds the JMF limits, the Contractor shall stop production and make adjustments. Production shall only be restarted after notifying the Engineer of the adjustments made.
  - (h) All materials for which the running average exceeds the JMF limits will be considered unacceptable and shall be removed and replaced by the Contractor at no additional cost to the State. The Engineer will determine the quantity of material to be replaced based on a review of the individual testing data which make up the running average in question and an inspection of the completed pavement. If the Engineer decides to leave the mixture in place because of special circumstances, the quantity of mixture, as defined above, will be paid for in accordance with Subsection 907-401.02.6.3.
  - (i) Single test results shall be compared to 1.7 times the warning and JMF limits. If the test results verified by QA testing (within allowable differences in Subsection 907-401.02.6.2) exceed these limits, the pay factor provided in Subsection 907-401.02.6.3 will apply for the quantity of material represented by the test(s). Single test limits will be used for the acceptance of projects when insufficient tonnage is produced to require four (4) Contractor's tests.
  - (j) The above corrective action will also apply for a mixture when the Contractor's testing data has been proven incorrect. The Contractor's data will be considered incorrect when;  
1) the Contractor's tests and the Engineer's tests do not agree within the allowable differences given in Subsection 907-401.02.6.2 and the difference can not be resolved, or  
2) the Engineer's tests indicates that production is outside the JMF limits and the results have been verified by the Materials Division. The Engineer's data will be used in place of the Contractor's data to determine the appropriate pay factor.

**907-401.02.6--Standards of Acceptance.**

**907-401.02.6.1--General.** Acceptance for mixture quality (VMA and total voids @  $N_{Design}$ , gradation, and asphalt content) will be based on random samples tested in accordance with the

latest edition of MDOT's Field Manual for HMA. Pavement densities and smoothness will be accepted by lots as set out in Subsections 907-401.02.6.4 and 907-401.02.6.5.

**907-401.02.6.2--Assurance Program for Mixture Quality.** The Engineer will conduct a quality assurance program. The quality assurance program will be accomplished as follows:

- 1) Conducting verification tests.
- 2) Validate Contractor test results.
- 3) Periodically observing Contractor quality control sampling and testing.
- 4) Monitoring required quality control charts and test results.
- 5) Sampling and testing materials at any time and at any point in the production or laydown process.

The rounding of all test results will be in accordance with Subsection 700.04.

The Engineer will conduct verification tests on samples taken by the Contractor under the direct supervision of the Engineer at a time specified by the Engineer. The frequency will be equal to or greater than ten percent (10%) of the tests required for Contractor quality control and the data will be provided to the Contractor within two asphalt mixture production days after the sample has been obtained by the Engineer. At least one sample shall be tested from the first two days of production. All testing and data analysis shall be performed by a Certified Asphalt Technician-I (CAT-I) or by an assistant under the direct supervision of the CAT-I. Certification shall be in accordance with the *MDOT HMA Technician Certification Program* chapter in the Materials Division Inspection, Testing, and Certification Manual. The Department shall post a chart giving the names and telephone numbers for the personnel responsible for the assurance program.

The Engineer shall be allowed to inspect Contractor testing equipment and equipment calibration records to confirm both calibration and condition. The Contractor shall calibrate and correlate all testing equipment in accordance with the latest versions of the Department's Test Methods and AASHTO Designation: R 18.

Random differences between the Engineer's verification tests and the current running average of four quality control tests at the time of obtaining the verification sample will be considered acceptable if within the following limits:



<b>Item</b>	<b>Allowable Differences</b>
<b>Sieve - % Passing</b>	
3/8-inch and above	6.0
No. 4	5.0
No. 8	4.0
No. 16, for 4.75-mm mixtures ONLY	3.5
No. 30	3.5
No. 200	2.0
AC Content	0.4
Specimen Bulk SG, Gmb @ N <sub>Design</sub>	0.030
Maximum SG, Gmm	0.020

If four quality control tests have not been tested prior to the time of the first verification test, the verification test results will be compared to the average of the preceding quality control tests. If the verification test is the first material tested on the project or if a significant process adjustment was made just prior to the verification test, the verification test results will be compared to the average of four subsequent quality control test results. For all other cases after a significant process adjustment, the verification test results will be compared to the average of the preceding quality control tests (taken after the adjustment) as in the case of a new project start-up when four quality control tests are not available.

In the event that; 1) the comparison of the Contractor's running average quality control data and Engineer's quality assurance verification test results are outside the allowable differences in the above table, or 2) if a bias exists between the results, such that one of the results is predominately higher or lower than the other, and the Engineer's results fail to meet the JMF control limits, the Engineer will investigate the reason immediately. As soon as the need for an investigation becomes known, the Engineer will increase the quality assurance sampling rate to the same frequency required for Contractor testing. The additional samples obtained by the Engineer may be used as part of the investigation process or for routine quality assurance verification tests. The Engineer's investigation may include testing of the remaining quality control split samples, review and observation of the Contractor's testing procedures and equipment, and a comparison of split sample test results by the Contractor quality control laboratory, Department quality assurance laboratory and the Materials Division laboratory. The procedures outlined in the latest edition of MDOT's Field Manual for HMA may be used as a guide for the investigation. In the event that the Contractor's results are determined to be incorrect, the Engineer's results will be used for the quality control data and the appropriate payment for the mixture will be based on the procedures specified in Subsection 907-401.02.5.8(j).

The Engineer will periodically witness the sampling and testing being performed by the Contractor. The Engineer, both verbally and in writing, will promptly notify the Contractor of any observed deficiencies. When differences exist between the Contractor and the Engineer which cannot be resolved, a decision will be made by the State Materials Engineer, acting as the referee. The Contractor will be promptly notified in writing of the decision. If the deficiencies are not corrected,

the Engineer will stop production until corrective action is taken.

**907-401.02.6.3--Acceptance Procedure for Mixture Quality.** All obviously defective material or mixture will be subject to rejection by the Engineer. Such defective material or mixture shall not be incorporated into the finished work. If the defective material has already been placed in the work, the material shall be removed and replaced at no additional cost to the State.

The Engineer will base final acceptance of the asphalt mixture production on the results of the Contractor's testing for total voids and VMA @  $N_{Design}$ , gradation, and asphalt content as verified by the Engineer in the manner hereinbefore described and the uniformity and condition of the completed pavement. Areas of pavement that exhibit non-uniformity or failures, materials or construction related, such as but not limited to segregation, bleeding, shoving, rutting over 1/8", raveling, slippage, or cracking will not be accepted. Such areas will be removed and replaced at no additional cost to the State.

Bituminous mixture placed prior to correction for deficiencies in VMA and total voids @  $N_{Design}$ , gradation, or asphalt content, as required in Subsection 907-401.02.5.8 and determined by the Engineer satisfactory to remain in place will be paid for in accordance with the following pay factors times the contract unit price per ton.

**Pay Factor for Mixture Quality \***

<b>Item</b>	<b>Produced in Warning Bands</b>	<b>Produced Outside JMF Limits, Allowed to Remain in Place</b>
Gradation	0.90	0.75
Asphalt Content	0.85	0.75
Total Voids @ $N_{Design}$	0.70	0.50
VMA @ $N_{Design}$	0.90	0.75

\* The minimum single payment will apply.

**907-401.02.6.4--Acceptance Procedure for Density.** Each completed lift will be accepted with respect to compaction on a lot to lot basis from density tests performed by the Department. For normal production days, divide the production into approximately equal lots as shown in the following table. When cores are being used for the compaction evaluation, randomly obtain one core from each lot. When the nuclear density gauge is being used for compaction evaluation, obtain two random readings from each lot and average the results. See Chapter 7 of the latest edition of MDOT's Field Manual for HMA for more details. Additional tests may be required by the Engineer to determine acceptance of work appearing deficient. The Contractor shall furnish and maintain traffic control for all compaction evaluations, including coring, required in satisfying specified density requirements.

**Lot Determination**

<u>Daily Production - Tons</u>	<u>Number of Lots</u>
0 - 300	1
301 - 600	2
601 - 1000	3
1001 - 1500	4
1501 - 2100	5
2101 - 2800	6
2801+	7

**907-401.02.6.4.1--Roadway Density.** The density requirement for each completed lift on a lot to lot basis from density tests performed by the Department shall be as follows:

1. For all leveling lifts, when full lane width and with a thickness as specified in the table in Subsection 907-401.02.4, the required lot density shall be 92.0 percent of maximum density.
2. For all single lift overlays, with or without leveling and/or milling, the required lot density shall be 92.0 percent of maximum density.
3. For all multiple lift overlays of two (2) or more lifts excluding leveling lifts, the required lot density of the bottom lift shall be 92.0 percent of maximum density. The required lot density for all subsequent lifts shall be 93.0 percent of maximum density.
4. For all pavements on new construction, the required lot density for all lifts shall be 93.0 percent of maximum density.

When it is determined that the density for a lot is below the required density (93.0 percent or 92.0 percent) but not lower than 91.0 or 90.0 percent of maximum density, respectively, the Contractor will have the right to remove and replace the lot(s) not meeting the specified density requirements in lieu of accepting reduced payment for the lot(s).

When it is determined that the density for a lot is above 96.0 percent, the Engineer shall notify the Contractor who will make plant adjustments to resolve the problem.

When it is determined that the density for a lot is below 91.0 or 90.0 percent, respectively, the lot(s), or portions thereof shall be removed and replaced in accordance with Chapter 7 of the latest edition of MDOT's Field Manual for HMA at no additional cost to the State. A corrected lot will be retested for approval. No resampling will be performed when pavement samples are used for determining density.

At any time the average daily compaction (the total of the percent compaction for the lots produced in one day divided by the total number of lots for the day) does not meet the required percent compaction or more for two consecutive days, the Contractor shall notify the Engineer of proposed changes to the compactive effort. If the average daily compaction does not meet the

required percent compaction or more for a third consecutive day, the Contractor shall stop production until compaction procedures are established to meet the specified density requirements.

Each lot of work found not to meet the density requirement of 92.0% or 93% of maximum density, respectively, may remain in place with a reduction in payment as set out in the following tables:

**PAYMENT SCHEDULE FOR COMPACTION OF 92.0 PERCENT OF MAXIMUM DENSITY**

<u>Pay Factor</u>	<u>Lot Density **</u> <u>% of Maximum Density</u>
1.00	92.0 and above
0.90	91.0 - 91.9
0.70	90.0 - 90.9

\*\* Any lot or portion thereof with a density of less than 90.0 percent of maximum density shall be removed and replaced at no additional cost to the State.

**PAYMENT SCHEDULE FOR COMPACTION OF 93.0 PERCENT OF MAXIMUM DENSITY**

<u>Pay Factor</u>	<u>Lot Density ***</u> <u>% of Maximum Density</u>
1.00	93.0 and above
0.90	92.0 - 92.9
0.70	91.0 - 91.9

\*\*\* Any lot or portion thereof with a density of less than 91.0 percent of maximum density shall be removed and replaced at no additional cost to the State.

The compaction pay factors and mixture quality pay factor, as described in Subsection 907-401.02.6.3, will each apply separately. However, the combined pay factor shall not be less than 0.50 for any mixture allowed to remain in place.

**907-401.02.6.4.2--Trench Widening Density.** The density for trench widening on a lot to lot basis shall be determined from density tests performed by the Department using pavement samples (cores).

When it is determined that the density for a trench widening lot is below 89.0 percent but not lower than 88.0 percent of maximum density, the Contractor will have the right to remove and replace the lot(s) not meeting the specified density requirements in lieu of accepting reduced payment for the lot(s).

When it is determined that the density for a trench widening lot is above 95.0 percent, the Engineer shall notify the Contractor who will make plant adjustments to resolve the problem.

When it is determined that the density for a trench widening lot is below 88.0 percent, the lot(s), or portions thereof shall be removed and replaced in accordance with Chapter 7 of the latest edition of MDOT's Field Manual for HMA at no additional cost to the State. A corrected lot will be retested for approval. No resampling will be performed when pavement samples are used for determining density.

At any time the daily compaction (the total of the percent compaction for the lots produced in one day divided by the total number of lots for the day) does not meet 89.0 percent compaction or more for two consecutive days, the Contractor shall notify the Engineer of proposed changes to the compactive effort. If the average daily compaction does not meet 89.0 percent compaction or more for a third consecutive day, the Contractor shall stop production until compaction procedures are established to meet the specified density requirement.

Each lot of trench widening work found not to meet the density requirement of 91.0 percent of maximum density may remain in place with a reduction in payment as set out in the following table:

**PAYMENT SCHEDULE FOR COMPACTION  
TRENCH WIDENING WORK**

<u>Pay Factor</u>	<u>Lot Density *** % of Maximum Density</u>
1.00	89.0 and above
0.50	88.0 - 88.9

\*\*\* Any lot or portion thereof with a density of less than 88.0 percent of maximum density shall be removed and replaced at no additional cost to the State.

The compaction pay factors and mixture quality pay factor, as described in Subsection 907-401.02.6.3, will each apply separately. However, the combined pay factor shall not be less than 0.50 for any mixture allowed to remain in place.

**907-401.02.6.5--Blank.**

**907-401.02.6.6--Blank.**

**907-401.02.6.7--Surface Correction.** Corrective work to sections exceeding short continuous interval thresholds reported by ProVal, as described in Subsection 907-403.03.2.1, shall consist of diamond grinding in accordance with these specifications or methods approved by the Engineer. All surface areas corrected by grinding shall be sealed with a sealant approved by the Engineer.

**907-401.02.6.7.1--Diamond Grinding.** Grinding of asphalt surfaces shall consist of diamond

grinding the existing asphalt pavement surface to remove surface distortions to achieve the specified surface smoothness requirements.

**907-401.02.6.7.2--Equipment.** The grinding equipment shall be a power driven, self-propelled machine that is specifically designed to smooth and texture pavement surfaces with diamond blades. The effective wheel base of the machine shall not be less than 12.0 feet. It shall have a set of pivoting tandem bogey wheels at the front of the machine and the rear wheels shall be arranged to travel in the track of the fresh cut pavement. The center of the grinding head shall be no further than 3.0 feet forward from the center of the back wheels.

The equipment shall be of a size that will cut or plane at least two feet (2') wide. It shall also be of a shape and dimension that does not encroach on traffic movement outside of the work area. The equipment shall be capable of grinding the surface without causing spalls at joints, or other locations.

**907-401.02.6.7.3--Construction.** The construction operation shall be scheduled and proceed in a manner that produces a uniform finish surface. Grinding will be accomplished in a manner to provide positive lateral drainage by maintaining a constant cross-slope between grinding extremities in each lane.

The operation shall result in pavement that conforms to the typical cross-section and the requirements specified in Subsection 907-401.02.6.7.4. It is the intent of this specification that the surface smoothness characteristics be within the limits specified.

The Contractor shall establish positive means for removal of grinding residue. Solid residue shall be removed from pavement surfaces before it is blown by traffic action or wind. Residue shall not be permitted to flow across lanes used by public traffic or into gutters or drainage facilities, but may be allowed to flow into adjacent ditches.

**907-401.02.6.7.4--Finished Pavement Surface.** The grinding process shall produce a pavement surface that is smooth and uniform in appearance with a longitudinal line type texture. The line type texture shall contain parallel longitudinal corrugations that present a narrow ridge corduroy type appearance. The peaks of the ridges shall not be more than 1/16 inch higher than the bottoms of the grooves.

The finished pavement surface will be measured for riding quality. The grinding shall produce a riding surface which does not exceed either the specified profile index or the specified bump and dip limit.

**907-401.02.6.8--Acceptance Procedure for Pavement Smoothness Using Mean Roughness Index (MRI).** When compaction is completed, the lift shall have a uniform surface and be in reasonably close conformity with the line, grade and cross section shown on the plans.

The smoothness of the surface lift will be determined by using an Inertial Profiling System (IPS) to measure and record roughness data in each designated location. Roughness data for each longitudinal profile will be reported as a Mean Roughness Index (MRI). MRI is calculated by

averaging the International Roughness Index (IRI) values from the two individual wheelpath profiles. The surface shall be tested and corrected to a smoothness index as described herein with the exception of those locations or specific projects that are excluded from smoothness testing with an IPS.

The smoothness of the surface lift will be determined for traffic lanes, auxiliary lanes, climbing lane and two-way turn lanes. Areas excluded from a smoothness test with the IPS are acceleration and deceleration lanes, tapered sections, transition sections for width, shoulders, crossovers, ramps, side street returns, etc. The roadway pavement on bridge replacement projects having 1,000 feet or less of pavement on each side of the structure will be excluded from a smoothness test. Pavement on horizontal curves having a radius of less than 1,000 feet at the centerline and pavement within the super elevation transition of such curves are excluded from smoothness testing. Smoothness testing shall terminate 264 feet from each transverse joint that separates the pavement from a bridge deck, bridge approach slab or existing pavement not constructed under the contract. This shall apply to any other exceptions including, but not limited to, railroad crossings and manholes. Segments containing a considerable amount of encroachments such as intersections, manholes, curb and gutter sections, etc. may be excluded at the Project Engineer's discretion.

Initial smoothness measurements shall take place no more than 72 hours following placement of surface and must be performed at the posted speed limit or 50 miles per hour ( $\pm 5$  mile per hour), whichever is lower. This speed requirement will be waived for all lightweight profilers. Measurements will be made in both wheel paths of exterior and interior lanes. The wheel paths shall be designated as being located three feet (3') and nine feet (9') from centerline or longitudinal joint, respectively. Beginning and ending latitude and longitude coordinates shall be required on each smoothness surface test. Testing will also be required on sections that have been surface corrected. No smoothness testing shall be performed when there is moisture of any kind on the pavement surface. Any additional testing shall meet the requirements of Subsection 907-403.03.2.

The surface lift will be accepted on a continuous interval basis for pavement smoothness. Continuous reporting is based upon all MRI values for a specified running interval. These values are averaged and presented at the midpoint of the specified running interval. The last 15 feet of a day's lift may not be obtainable until the lift is continued and for this reason may be included in the subsequent section.

Areas of localized roughness exceeding the continuous 25-foot interval threshold described in Subsection 907-403.03.2.1 shall be corrected regardless of the 528-foot interval MRI value of the section. Surface correction by grinding shall be performed in accordance with Subsection 907-401.02.6.7. The Contractor shall also make other necessary surface corrections to ensure that the final mean roughness index of the section meets the requirements of Subsection 907-403.03.2.

Continuous sections exceeding the accepted long interval MRI value shall be corrected as specified in Subsection 403.03.4. All such corrections shall be performed at no additional costs to the State. Scheduling and traffic control will be the responsibility of the Contractor with

approval of the Engineer. All tests and corrections shall be in accordance with AASHTO R 54-10, Accepting Pavement Ride Quality When Measured Using Inertial Profiling Systems.

**907-401.02.6.9--High Speed Inertial Profiling System.**

**907-401.02.6.9.1--General.** The IPS, furnished and operated by the Contractor under the supervision of the Engineer or the Engineer's representative, shall be a dual laser high speed or lightweight vehicle meeting the requirements of AASHTO M 328-10, Standard Specification for Inertial Profiler.

**907-401.02.6.9.2--Mechanical Requirements.** The IPS should function independent of vehicle suspension and speed with an operational range of 15-70 mph (for high speed profilers only) and must collect data at a sample interval of no more than three inches (3"). All IPSs, operators, and combinations thereof shall be verified in accordance with AASHTO R 56-10, Standard Practice for Certification of Inertial Profiler Systems and AASHTO R 57-10, Operating Inertial Profiler Systems.

**907-401.02.6.9.3--Computer Requirements.** The computer measurement program must be menu driven, Windows compatible, and able to produce unfiltered profiler runs in any one of the following file formats: University of Michigan's Transportation Research Institute's (UMTRI) Engineering Research Division (\*.erd) file, ProVAL's Pavement Profile (\*.ppf) file, or Ames Engineering's (\*.adf) file format. The computer shall have the ability to display and print data on site for verification and shall have the ability to save and transfer data via Universal Serial Bus (USB) flash drive, which shall be provided by the Contractor.

All profiler runs must be named in the following format for acceptance by the Project Engineer:

- County\_Route\_Direction\_Lane\_BeginStation\_EndStation

In addition to manufacturers software; the latest version of FHWA's ProVAL software shall be installed on the IPS computer. ProVAL software is available for free download at <http://www.roadprofile.com>.

**907-401.02.7--Nuclear Gauges.**

**907-401.02.7.1--Nuclear Moisture-Density Gauge.** The nuclear gauge unit used to monitor density shall contain a full data processor which holds all calibration constants necessary to compute and directly display wet density, moisture, and dry density in pounds per cubic foot. The data processor shall compute and display the percent moisture and percent density based on dry weight.

**907-401.02.7.2--Nuclear Asphalt Content Gauge.** The Contractor shall furnish and calibrate, unless designated otherwise in the contract, a Troxler Nuclear Asphalt Content Gauge Model 3241 or updated model, or a Campbell Nuclear Asphalt Content Gauge Model AC-2 or an approved equal.

**907-401.03--Construction Requirements.** Mississippi DOT has adopted the "Hot-Mix Asphalt



Paving Handbook” as the guideline for acceptable asphalt construction practices.

**907-401.03.1--Specific Requirements.**

**907-401.03.1.1--Weather Limitations - General.** The mixture shall not be placed when weather conditions prevent the proper handling and finishing or the surface on which it is to be placed is wet or frozen.

When paving operations are discontinued because of rain, the mixture in transit shall be protected until the rain ceases. The surface on which the mixture is to be placed shall be swept to remove as much moisture as possible and the mixture may then be placed subject to removal and replacement at no additional cost to the State if contract requirements are not met.

**907-401.03.1.1.1--Weather Limitations For HMA.** At the time of placement, the air and pavement surface temperature limitations shall be equal to or exceed that specified in the following table.

**TEMPERATURE LIMITATIONS**

Compacted Thickness	Temperature
Less than 1½ inches	55°F
1½ inches to 2 inches	50°F
2¼ inches to 3 inches	45°F
Greater than 3 inches	40°F

**907-401.03.1.1.2--Weather Limitations For WMA.** The air and pavement temperature at the time of placement shall equal or exceed 40°F, regardless of compacted lift thickness.

**907-401.03.1.2--Tack Coat.** Tack coat shall be applied to previously placed asphalt and between lifts, unless otherwise directed by the Engineer. Tack coat shall be applied with a distributor spray bar. A hand wand will only be allowed for applying tack coat on ramp pads, irregular shoulder areas, median crossovers, turnouts, or other irregular areas. Bituminous materials and application rates for tack coat shall be as specified in Table 410-A on page 293. Construction requirements shall be in accordance with Subsection 407.03 of the Standard Specifications.

**907-401.03.1.3--Blank.**

**907-401.03.1.4--Density.** The lot density for all dense graded pavement lifts, except as provided below for preleveling, wedging [less than fifty percent (50%) of width greater than minimum lift thickness], ramp pads, irregular shoulder areas, median crossovers, turnouts, or other areas where the established rolling pattern cannot be performed, shall not be less than the specified percent (92.0% or 93.0%) of the maximum density based on AASHTO Designation: T 209 for the day’s production. For all leveling lifts, when full lane width and with a thickness as specified in the table in Subsection 907-401.02.4, the required lot density shall be 92.0 percent of maximum

density. If a job-mix formula adjustment is made during the day which affects the maximum specific gravity, calculate a new average maximum density for the lot(s) placed after the change.

Pavement core samples obtained for determining density which has a thickness less than two times the maximum size aggregate permitted by the job-mix formula will not be used as a representative sample.

Preleveling, wedging (less than fifty percent of width greater than minimum lift thickness), ramp pads, irregular shoulder areas, median crossovers, turnouts, and other areas where an established rolling pattern cannot be obtained shall be compacted to refusal densification.

**907-401.03.2--Bituminous Mixing Plants.**

**907-401.03.2.1--Plant Requirements.**

**907-401.03.2.1.1--Cold Aggregate Storage.** The cold storage for hydrated lime shall be a separate bulk storage bin with a vane feeder or other approved feeder system which can readily be calibrated. The system shall provide a means for easy sampling of the hydrated lime additive and verifying the quantity of lime dispensed. The feeder system shall require a totalizer.

The hydrated lime additive equipment shall be interlocked and synchronized with the cold feed controls to operate concurrently with the cold feed operation which will automatically adjust the hydrated lime feed to variations in the cold aggregate feed. A positive signal system shall be installed which will automatically shut the plant down when malfunctions cause an improper supply of hydrated lime or water.

The plant shall not operate unless the entire hydrated lime system is functioning properly.

**907-401.03.2.1.2--Cold Aggregate Feed.** The hydrated lime shall be dispensed dry or as a slurry directly onto the composite aggregate between the cold feed and the dryer. The slurry shall consist of 1 part hydrated lime to 3 parts water.

When hydrated lime is introduced dry, a spray bar or other approved system capable of spraying all aggregate with water shall be installed in order to maintain all aggregate at the moisture condition set out in Subsection 907-401.02.3.1 prior to addition of the hydrated lime. An alternate system for spraying the coarse aggregate stockpiles may be allowed when approved by the Engineer. The approved equipment and methods shall consistently maintain the aggregate in a uniform, surface wet condition. The moisture content of the aggregate-hydrated lime mixture, following spraying and mixing, shall be introduced into the automatic moisture controls of the plant.

The aggregate-hydrated lime mixture shall be uniformly blended by some mechanical means such as a motorized "on the belt" mixer or pug mill located between the cold feed and the dryer. Other mixing devices may be used subject to approval by the Engineer.

A maximum of forty five (45) percent of the total aggregate blend may be fed through any single

cold feed bin. If the JMF calls for more than forty five (45) percent of a specific aggregate, that aggregate must be fed through two (2) or more separate cold feed bins.

**907-401.03.2.1.3--Dryer.** The efficiency of drying aggregates shall be such that the moisture content of the top asphalt mixture shall not exceed 0.50 percent by weight of the total mixture, and the moisture content of all the underlying mixtures shall not exceed 0.75 percent by weight of the total mixture being produced.

**907-401.03.2.1.4--Blank.**

**907-401.03.2.1.5--Control of Bituminous Material and Antistripping Agent.** Specified bituminous materials from different manufacturers or from different refineries of a single manufacturer shall not be mixed in the plant's asphalt cement supply system storage tank and used in the work without prior written approval of the Engineer. Approval is contingent upon the Engineer's receipt of three copies of the manufacturer's certified test report(s) from the Contractor showing that the bituminous material blend conforms to the specifications.

A satisfactory method of weighing or metering shall be provided to ensure the specified quantity of bituminous material. Provisions shall be provided for checking the quantity or rate of flow. Weighing or metering devices shall be accurate within plus or minus one-half percent.

The antistripping agent shall be injected into the bituminous material immediately prior to the mixing operation with an approved in-line injector system capable of being calibrated so as to ensure the prescribed dosage.

An in-line spigot for sampling of asphalt shall be located between the asphalt storage tank and the antistripping agent in-line injector.

**907-401.03.2.1.6--Thermometric Equipment.** An armored thermometer of adequate range and calibrated in 5°F increments shall be fixed at a suitable location in the bituminous line near the charging valve of the mixer unit.

The plant shall be equipped with an approved dial-scale, mercury-actuated thermometer, pyrometer or other approved thermometric instrument placed at the discharge chute of the dryer to measure the temperature of the material.

When the temperature control is unsatisfactory, the Engineer may require an approved temperature-recording apparatus for better regulation of the temperature.

**907-401.03.2.1.7--Screens.** A scalping screen shall be used.

**907-401.03.2.1.8--Dust Collector.** The plant shall be equipped with a dust collector constructed to waste or return collected material. When collected material is returned, it shall be returned through a controlling device which will provide a uniform flow of material into the aggregate mixture.

**907-401.03.2.1.9--Safety Requirements.** A platform or other suitable device shall be provided so the Engineer will have access to the truck bodies for sampling and mixture temperature data.

**907-401.03.2.1.10--Blank.**

**907-401.03.2.1.11--Truck Scales.** The specifications, tolerances and regulations for commercial weighing and measuring devices as recommended by the National Bureau of Standards [National Institute of Standards and Technology (NIST) Handbook 44] shall govern truck scales used in the State of Mississippi, except weighing devices with a capacity of ten thousand (10,000) pounds or more used to weigh road construction materials (i.e. sand, gravel, asphalt, fill dirt, topsoil and concrete) shall have a tolerance of one-half of one percent (1/2 of 1%) in lieu of the requirements of Handbook 44 and shall be regulated by the Mississippi Department of Transportation.

Scales shall be checked and certified by a scale company certified in heavy truck weights by the Mississippi Department of Agriculture and Commerce. In the case of scales used for measurement of materials on Department of Transportation projects, certification shall be performed in the presence of an authorized representative of the Department or a copy of the certification may be furnished for scales that have been checked and certified within the last six months for use on other Department of Transportation projects and are still in the position where previously tested. Scales that have not been checked and certified under NIST Handbook 44 guidelines, except for the herein modified tolerances allowed, shall be so checked and certified prior to use for measurement of materials on Department of Transportation projects. Tests shall be continued on six month intervals with the test conducted in the presence of an authorized representative of the Department.

Truck scales shall be accurate to one-half of one percent of the applied load, shall be sensitive to 20 pounds, and shall have a graduation of not more than 20 pounds.

The Contractor may use an electronic weighing system approved by the Engineer in lieu of truck scales. The system shall be equipped with an automatic print out system which will print a ticket for each load with the following information:

MDOT, Contractor's name, project number, county, ticket number, load number, pay item number, item description of the material delivered, date, time of day, haul vehicle number, gross weight, tare weight, net weight and total daily net weight.

When approved by the Engineer and materials are measured directly from a storage bin equipped with load cells, exceptions may be made to the gross and tare weight requirements.

The ticket shall also have a place for recording the temperature of asphalt mixtures, if applicable, and the signatures of MDOT's plant and roadway inspectors. The load numbers for each project shall begin with load number one (1) for the first load of the day and shall be numbered consecutively without a break until the last load of the day. The Contractor shall provide MDOT with an original and one copy of each ticket. When the ticket information provided by the Contractor proves to be unsatisfactory, MDOT will use imprinter(s) and imprinter tickets to

record load information. All recorded weights shall be in pounds and shall be accurate to within one-half of one percent of the true weight, and the system shall be sensitive to 20 pounds. The Engineer will require random loads to be checked on certified platform scales at no cost to the Department.

When an electronic weighing system utilizes the plant scales of a batch plant, the system may be used only in conjunction with a fully automatic batching and control system.

**907-401.03.2.2--Additional Requirements for Batching Plants.**

**907-401.03.2.2.1--Plant Scales.** The plant batch scale weight shall not exceed the platform scale weight by more than one percent (1.0%).

**907-401.03.2.3--Additional Requirements for Drum Mixing Plants.**

**907-401.03.2.3.1--Plant Controls.** The plant shall be operated with all the automatic controls as designed and provided by the plant manufacturer. If the automatic controls malfunction, brief periods of manual operations to complete the day's work or to protect the work already placed may be conducted with the approval of the Engineer. During manual operation, the Contractor must continue to produce a uniform mixture meeting all contract requirements.

**907-401.03.2.3.2--Aggregate Handling and Proportioning.** A screening unit shall be placed between the bins and the mixer to remove oversized aggregate, roots, clayballs, etc.

**907-401.03.2.4--Surge or Storage Bins.** Surge and/or storage systems may be used at the option of the Contractor provided each system is approved by the Department prior to use. Surge bins shall be emptied at the end of each day's operation. Storage silos may be used to store mixtures as follows:

- 19-mm & 25-mm mixtures ..... 24 hours
- 9.5-mm & 12.5-mm mixtures ..... 36 hours

The storage silos must be well sealed, completely heated and very well insulated. The mixture when removed from the storage silo shall be tested to ensure that it meets all the same specifications and requirements as the mixture delivered directly to the paving site. See Subsection 907-401.02.5.3, subparagraph (i) for sampling and testing requirements.

**907-401.03.3--Hauling Equipment.** The inside surfaces of each vehicle bed shall be coated with a light application of water and thin oil, soap solution, lime water solution or other approved material to prevent the mixture from sticking. Diesel fuel or gasoline shall not be used to lubricate vehicle beds. Truck beds shall be raised to drain excessive lubricants before placing mixture in the bed. An excess of lubricant will not be permitted.

**907-401.03.4--Bituminous Pavers.** The screed or strikeoff assembly shall be capable of vibrating and heating the full width of the mixture being placed and shall lay the lift with an automatic control device to the specified slope and grade without tearing, pulling or gouging the

mixture surface.

**907-401.03.5--Rollers.** All rollers shall be self-propelled units capable of maintaining a smooth and uniform forward and reverse speed as required for proper compaction. They shall be equipped with adjustable scrapers, water tanks, mats and a device for wetting the wheels or tires to prevent the mixture from sticking. Adhesion of the mixture to the rollers will not be permitted. The use of diesel fuel or gasoline for cleaning roller wheels or tires or to aid in preventing the mixture from sticking to the wheels or tires is prohibited.

All rollers shall be in good mechanical condition, free from leaking fuels and lubricants, loose link motion, faulty steering mechanism, worn king bolts and bearings. They shall be operational at slow speeds to avoid displacement of the mixture and capable of reversing direction smoothly and without backlash.

**907-401.03.6--Preparation of Grade.** The foundation upon which asphalt pavement is to be placed shall be prepared in accordance with the applicable Section of the Standard Specification.

Unless otherwise directed, tack coat shall be applied to the underlying surface on which the mixture is to be placed. Emulsions, if used, must be allowed to "break" prior to placement of the bituminous mixture.

Bituminous mixture shall not be placed against the edge of pavements, curbs, gutters, manholes and other structures until sprayed with a thin uniform tack coating. The tack coat shall be protected until the mixture has been placed.

Existing asphalt pavements that require preliminary leveling or patching in advance of placing the bituminous mixture shall be sprayed with a tack coat material and then brought as nearly as practicable to uniform grade and cross section. The material shall be placed by hand or machine in one or more compacted layers approximately two (2) inches or less in compacted thickness.

**907-401.03.7--Blank.**

**907-401.03.8--Preparation of Mixture.**

**907-401.03.8.1--Preparation of Mixture For HMA.** The temperature of the mixture, when discharged from the mixer, shall not exceed 340°F.

**907-401.03.8.2--Preparation of Mixture For WMA.** Warm mix asphalt is defined as a plant produced asphalt mixture that can be produced and constructed at lower temperatures than typical hot mix asphalt. Typical temperature ranges of non-polymer modified, WMA produced by foaming the asphalt binder at the plant are typically 270°F to 295°F at the point of discharge of the plant. Typical temperature ranges of polymer modified, WMA produced by foaming the asphalt binder at the plant are typically 280°F to 305°F at the point of discharge of the plant. WMA produced by addition of a terminal blended additive may allow the producer to reduce the temperatures below 270°F as long as all mixture quality and field density requirements are met. Production temperatures at the plant may need to be increased or decreased due to factors such as

material characteristics, environmental conditions, and haul time to achieve mixture temperatures at the time of compaction in which uniform mat density can be achieved.

**907-401.03.9--Material Transfer Equipment.** Excluding the areas mentioned below, the material transferred from the hauling unit when placing the top lift, or the top two (2) lifts of a multi-lift asphalt pavement with density requirements, shall be remixed prior to being placed in the paver hopper or insert by using an approved Materials Transfer Device. Information on approved devices can be obtained from the State Construction Engineer. Areas excluded from this requirement include: leveling courses, temporary work of short duration, detours, bridge replacement projects having less than 1,000 feet of pavement on each side of the structure, acceleration and deceleration lanes less than 1,000 feet in length, tapered sections, transition sections for width, shoulders less than 10 feet in width, crossovers, ramps, side street returns and other areas designated by the Engineer.

**907-401.03.10--Spreading and Finishing.** Grade control for asphalt pavements shall be established by stringline at least 500 feet ahead of spreading, unless placement is adjacent to curb and gutter, concrete pavement, or other allowed grade control.

The mixture shall be spread to the depth and width that will provide the specified compacted thickness, line, grade and cross section. Placing of the mixture shall be as continuous as possible. On areas where mechanical spreading and finishing is impracticable, the mixture may be spread, raked and luted by hand tools.

Immediately after screeding and prior to compaction, the surface shall be checked by the Contractor and irregularities adjusted. When the edge is feathered as in a wedge lift, it may be sealed by rolling. Irregularities in alignment and grade along the edges shall be corrected before the edges are rolled.

Hauling, spreading and finishing equipment shall be furnished that is capable of and operated in such a manner that the rolling operation will satisfactorily correct any surface blemishes.

The longitudinal joint in the subsequent lift shall offset that in the underlying lift by approximately six (6) inches. However, the joint in the top lift shall be at the centerline or lane line.

**907-401.03.11--Compaction.** After the mixture has been spread and surface irregularities corrected, it shall be thoroughly and uniformly compacted to the required line, grade, cross section and density.

**907-401.03.12--Joints.** Joints between previously placed pavement and pavement being placed shall be so formed as to insure thorough and continuous bond.

Transverse construction joints shall be formed by cutting the previously placed mixture to expose the full depth of the lift.

The contact surface of transverse joints and longitudinal joints, except hot joints, shall be sprayed

with a thin uniform tack coating before additional mixture is placed against the previously placed material.

Longitudinal joints shall be formed by overlapping the screed on the previously placed material for a width of at least one (1) inch and depositing the quantity of mixture to form a smooth, tight joint.

**Joint Sealant.** When a pay item for 907-403-S, Joint Sealant, is included in the contract, the contact surface of transverse joints and longitudinal joints in the surface lift, except hot joints, shall be sealed by spraying a thin, uniform coat of Pavon™, Crafco™ Pavement Joint Adhesive No. 34524, Dura-Fill Cold Joint Adhesive, or approved equal, prior to placement of additional asphalt against the previously placed material. Manufacturer's recommendations shall be followed if the material needs to be re-heated, and when placing the thin, uniform coat.

Prior to application of the sealant, the face of the joint shall be thoroughly dry and free from dust or any other material that would prevent proper sealing. All joints shall be swept or blown free of loose material, dirt, vegetation, and other debris by means of compressed air or a power sweeper.

Truck and vehicle traffic shall not drive across a sealed joint until it has dried sufficient to prevent damage from tracking.

The Contractor shall furnish the Engineer three copies of the manufacturer's certification stating that the material used meets the requirement of the specifications.

**907-401.03.13--Pavement Samples.** The Contractor shall cut samples from each lift of asphalt at the time and locations designated by the Engineer. The samples shall be taken for the full depth of each lift and shall be of a size approved by the Engineer but not to exceed 120 square inches. Tools used for cutting or coring of samples shall be of the revolving blade type such as saw or core drill. Cores shall be taken using a 4.0 to 6.0-inch inside diameter coring bit. The sample hole shall be filled, compacted and finished by the Contractor to conform with the surrounding area. No additional compensation will be allowed for furnishing samples and repairing the areas with new pavement.

**907-401.03.14--Shoulder Wedge.** The Contractor shall attach a device to the screed of the paver that confines the material at the end gate and extrudes the asphalt material in such a way that results in a compacted wedge shape pavement edge of approximately 30 degrees, but not steeper than 35 degrees. The device shall maintain contact between itself and the road shoulder surface and allow for automatic transition to cross roads, driveways, and obstructions. The device shall be used to constrain the asphalt head reducing the area by 10% to 15% increasing the density of the extruded profile. Conventional single plate strike off shall not be used.

The device shall be TransTech Shoulder Wedge Maker, the Advant-Edge, or a similar approved equal device that produces the same wedge consolidation results. Contact information for these wedge shape compaction devices is the following.



1. TransTech Systems, Inc.  
1594 State Street  
Schenectady, NY 12304  
800-724-6306  
[www.transtechsys.com](http://www.transtechsys.com)
  
2. Advant-Edge Paving Equipment, LLC  
P.O. Box 9163  
Niskayuna, NY 12309-0163  
518-280-6090  
Contact; Gary D. Antonelli  
Cell: 518-368-5699  
email: [garya@nycap.rr.com](mailto:garya@nycap.rr.com)  
Website: [www.advantedgepaving.com](http://www.advantedgepaving.com)

Before using a similar device, the Contractor shall provide proof that the device has been used on previous projects with acceptable results, or construct a test section prior to the beginning of work and demonstrate wedge compaction to the satisfaction of the Engineer. Short sections of handwork will be allowed when necessary for transitions and turnouts, or otherwise authorized by the Engineer.

**MISSISSIPPI DEPARTMENT OF TRANSPORTATION**

**SPECIAL PROVISION NO. 907-403-14**

**CODE: (SP)**

**DATE: 12/02/2014**

**SUBJECT: Asphalt Pavements**

Section 403, Asphalt Pavements, of the 2004 Edition of the Mississippi Standard Specifications for Road and Bridge Construction is deleted and replaced as follows.

**SECTION 907-403 - ASPHALT PAVEMENTS**

**907-403.01--Description.** This work consists of constructing one or more lifts of asphalt pavement meeting the requirements of Section 907-401 on a prepared surface in accordance with the requirements of this section and in reasonably close conformity with the lines, grades, thicknesses, and typical cross sections shown on the plans or established by the Engineer. This work shall also include applicable in-grade preparation of the underlying course in accordance with Section 321.

The Contractor must select one of the asphalt mixture processes (HMA or WMA) to be used on this project.

**907-403.02--Material Requirements.** Materials and their use shall conform to the applicable requirements of Subsection 907-401.02.

**907-403.03--Construction Requirements.**

**907-403.03.1--General.** Construction requirements shall be as specified in Subsection 907-401.03, except as otherwise indicated in this section or applicable special provisions.

**907-403.03.2--Smoothness Tolerances.** Except as noted herein, the finished smoothness of each lift shall conform to the designated grade and cross section within the following tolerances from grade stakes or other grade reference points set at 25-foot intervals:

	Lower* & Leveling Lifts	Lower* Intermediate Lift	Top Intermediate Lift	Surface Lift
<b>Maximum deviation from grade and cross section at any point .....</b>	1/2"	3/8"	1/4"	1/4"
<b>Maximum deviation from A 10 foot straight edge.....</b>	3/8"	1/4"	1/8"	1/8"

Note: Where more than four (4) lifts of asphalt are required, all lifts, excluding the top three (3) lifts, shall meet the requirements of the lower lift.

- \* When tested longitudinally from a stringline located equidistant above points 50 feet apart, the distance from the stringline to the surface at any two points located 12½ feet apart shall not vary one from the other more than the maximum deviation allowed above from a 10-foot straight edge.

Grade stakes or other grade reference points set at 25-foot intervals and maximum deviation from grade and cross section will not be required provided an approved profile averaging device is furnished and properly used for the four conditions set forth herein; however, all other surface requirements are applicable.

- (a) Overlays with one overall lift.
- (b) Overlays with two or more overall lifts -- for each lift above the first overall lift provided each underlying overall lift is within the allowable tolerances.
- (c) Surface lift of new construction provided the underlying lift is within the allowable tolerances.
- (d) Full-depth asphalt construction for lifts above the lower lift provided the lower lift is within the specified tolerances for the lower intermediate lift.

In the placement of full depth asphalt pavement, where the chemically treated base is constructed, graded and/or trimmed, full lane width, to a surface tolerance of  $\pm 3/8$  inches from design grade, stringline grade controls may be eliminated for the placement of the asphalt drainage course and all asphalt lifts. In addition, where the base course is crushed stone or crushed concrete and is constructed to a surface tolerance of  $\pm 3/8$  inches from design grade using a stringline controlled spreader, stringline grade controls may be eliminated for the placement of the asphalt drainage course and all asphalt lifts.

All other tolerances as specified in Section 321 are applicable, except for bases, when tested longitudinally, the maximum deviation when measured at the 12½-foot midpoint shall be  $\pm 3/8$  inches.

Acceptance and payment of asphalt will be determined on a lot to lot basis by cores taken from the completed pavement as outlined in Subsection 907-403.03.3.

Approved contacting type profile averaging devices are those devices capable of working in conjunction with a taut string or wire set to grade, or ski-type device with extreme contact points with the surface at least 30 feet apart. Approved non-contacting type profile averaging devices are laser type ski devices with at least four referencing mobile stations at a minimum length of 24 feet, or an approved equal.

When approved by the Engineer, a short ski or shoe may be substituted for a long ski on the

second paving operation working in tandem.

During the finishing and compacting of pavement lifts, it shall be the responsibility of the Contractor to check the surface and joints for progress toward conformance to surface requirements set forth herein. Variations from surface requirements exceeding the allowable tolerances shall be corrected at the Contractor's expense.

When a portland cement concrete pavement is to be placed on an asphalt lift, the finished top of the asphalt lift shall meet the requirements of Sections 321 and 501.

Sections(s) or portions thereof representing areas excluded from a smoothness test with the High Speed Inertial Profiling System (IPS) shall also be excluded from consideration for a contract price adjustment for rideability.

Any contract price adjustment for rideability will be applied on a continuous basis to the pay tonnage, determined in accordance with Subsections 907-401.02.6.8 and 907-403.04, for the section(s) or portions thereof for which an adjustment is warranted.

Contract price adjustments for rideability shall only be applicable to the surface lift and furthermore to only the long continuous section(s) or portions of the long continuous section(s) of the surface lift that require smoothness be determined by using a profiling device.

**907-403.03.2.1--Smoothness Tolerances for Mean Roughness Index (MRI).** Smoothness tolerances shall be applied to asphalt pavements based on the following pavement categories.

**Category A** applies to the following pavement constructions:

- New construction
- Construction with three (3) or more lifts
- Mill and two (2) or more lifts

**Category B** applies to the following pavement constructions:

- Mill and one (1) lift
- Two (2) lift overlays without milling

**Category C** applies to the following pavement constructions:

- Single lift overlay without milling
- All 57,650-pound routes regardless of the pavement construction

Additional projects may qualify for Category C construction at the department's discretion. Spot Leveling does not count as a lift. Full width / continuous leveling courses that have a minimum thickness of ¾" across the entire lane width will be considered a lift.

**Category A** projects shall have a long continuous interval (528-foot) surface MRI of not more than 60 inches per mile.

**Category B** projects shall have a long continuous interval (528-foot) surface MRI of not more than 70 inches per mile.

**Category C** projects shall have the existing surface profiled at no additional cost to the State. These projects shall be measured by a long fixed interval (528-foot) surface MRI and meet the higher value of the following requirements:

- A 50% improvement in MRI from the existing surface
- OR
- 80 inches per mile

In the case that 50% of the existing surface MRI is greater than 80 inches per mile, the short continuous threshold shall be increased from 160 inches per mile by the difference between 50% of the existing surface MRI and 80 inches per mile.

For all projects, areas of the surface lift with localized roughness greater than 160 inches per mile as determined by the continuous short interval (25') report will be identified for correction by the Project Engineer.

When a project has multiple lifts, the lift underlying the surface lift shall have a MRI of no more than 10 inches/mile more than the surface lift threshold for both long and short continuous intervals. Category B projects containing multiple lifts must meet the Category C percent improvement requirement for the underlying lift. Corrective action must be taken on those segments that do not meet this requirement. No unit price adjustment will be applied on any underlying lift.

For Category A and B projects, a unit price increase will be added when the MRI for the final surface lift, prior to any required localized roughness (short interval) corrective action, is less than or equal to fifty inches per mile (50.0 inches / mile) on the long interval report. These Projects will be considered for incentive pay based on the following guidelines for the long interval surface lift MRI.

Mean Roughness Index inches / mile	Contract Price Adjustment Percent of Asphalt Unit Bid Price
Less than 35.0	108
35.1 to 40.0	106
40.1 to 45.0	104
45.1 to 50.0	102
50.1 to Required Surface MRI	100

In addition to the above pay incentive factors, a project may be subject to a disincentive when the Long Continuous Interval MRI for the surface exceeds the allowable tolerance.

Mean Roughness Index (inches / mile)	Contract Price Adjustment Percent of Asphalt Unit Bid Price
Above 20.0 Over	REMOVE AND REPLACE
15.1 to 20.0 Over	80
10.1 to 15.0 Over	85
5.1 to 10.0 Over	90
0.1 to 5.0 Over	95
Required Surface MRI	100

For Category C projects, segments may be subject to a disincentive when the Fixed Interval MRI for the surface does not meet the minimum requirements.

Percent Improvement MRI (inches/mile)	Contract Price Adjustment Percent of Asphalt Unit Bid Price
Below 30 Percent	REMOVE AND REPLACE
30.1 to 35.0 Percent	80
35.1 to 40.0 Percent	85
40.1 to 45.0 Percent	90
45.1 to 50.0 Percent	95
Above 50%	100

Segment(s) or portions thereof representing areas excluded from a smoothness test shall also be excluded from consideration for a contract price adjustment for rideability. Where a segment less than 528 feet occurs at the end of a section, it will be combined with the preceding 528-foot segment for calculation of MRI. Corrective action must be taken on those sections that exceed the 'Remove and Replace' threshold as directed by the Project Engineer. The minimum remove and replace length will be 528 feet (0.1 mile). Additional smoothness testing shall be required on sections following replacement and will be required to meet *at least* the maximum surface MRI short of 'Remove and Replace' tolerance.

The above pay factors will be applied in conjunction with the Long Continuous Histogram Chart from ProVAL's Smoothness Assurance Module. The price adjustments for rideability will be tabulated in MDOT's Pay Incentive spreadsheet on the basis of a theoretical tonnage of 110 lbs/yd<sup>2</sup> \* inch thickness (pounds per square yard \* inch thickness) determined in accordance with Subsections 907-401.02.6.5 and 907-403.04, for the segment(s) or portions thereof for which an adjustment is warranted.

**907-403.03.3--Thickness Requirements.** Asphalt overlay lifts shall be constructed as nearly in accordance with the thickness shown on the plans as the underlying pavement and foundation will permit. Periodic and cumulative yield tests will be made to determine practicable conformity to the thickness of each lift. The Engineer may order modifications in placement thicknesses to prevent unwarranted variations in plan quantities.

When the paver is operating off an established grade line, no thickness determination will be

required for the various lifts of pavement. It is understood that the tolerances from design grade will control the thickness requirements.

When grade stakes are eliminated by Notice to Bidders or as outlined in Subsection 907-403.03.2(d) and where resulting in the placement of two (2) or more lifts, acceptance and payment will be determined on a lot to lot basis by cores taken from the completed pavement. Lots will be coincidental with acceptance lots for the surface lift as provided in Subsection 907-401.02.6.4, except that only lots resulting from the placement of mainline surface lift will be used for thickness assessment. One core will be obtained at random from each lot. Irregular areas will not be cored.

When the average thickness of all the cores from the lots representing a day's production, excluding any discarded by the Engineer for justifiable reason, is within three-eighths of an inch (3/8") of the total pavement thickness shown on the plans, excluding lift(s) placed using an established grade line, corrective action will not be required and a price adjustment will not be made for non-conformity to specified thickness.

When the average thickness of all the cores from the lots representing a day's production is deficient in thickness by more than three eighths of an inch (3/8") of the total pavement thickness shown on the plans, excluding lift(s) placed using an established grade line, the deficiency shall be corrected by overlaying the entire length of the day's production. The thickness of the overlay shall be equal to the thickness deficiency but no less than the minimum single lift laying thickness for the specified mixture.

When the thickness of all the cores from the lots representing a day's production is more than three eighths of an inch (3/8") thicker than the total thickness shown on the plans, excluding lift(s) placed using an established grade line, a price adjustment will be made in accordance with Subsection 907-403.05.1.

The cores shall be cut and removed by the Contractor in the presence of the Engineer's representative and turned over to the Engineer's representative for further handling. The Contractor shall fill each core hole with surface lift mixture and compact to the satisfaction of the Engineer within 24 hours after coring.

**907-403.03.4--Lift Corrections.** Pavement exceeding the allowable surface tolerances shall be corrected at the Contractor's expense by the following methods:

Lower, Leveling and Lower Intermediate Lifts:

- (a) Removal or addition of mixture by skin patching, feather edging, wedge lift construction or full depth patching where appropriate and can be completed in a satisfactory manner.
- (b) Superimposing an additional layer which shall be an approved grade raise for the full roadway width and length of the area to be corrected.

Top Intermediate Lift:

- (a) Removal and the addition of sufficient mixture to provide the specified thickness. Corrections by this method shall be square or rectangular in shape and shall completely cover the area to be corrected.
- (b) Superimposing an additional layer of minimum lift thickness for mixture being used which shall be an approved grade raise for full roadway width of the area to be corrected. Transverse joints shall be perpendicular to the centerline of the pavement.

Surface Lift:

- (a) Removal and the addition of sufficient mixture to provide new material of at least minimum single lift laying thickness for full lane width of the area to be corrected. Transverse joints shall be perpendicular to the centerline of the lane.
- (b) Superimposing an additional layer (minimum lift thickness for mixture being used) which shall be an approved grade raise for full roadway width of the area to be corrected. Transverse joints shall be perpendicular to the centerline of the pavement.

All mixtures used in the correction of unacceptable pavement shall be approved by the Engineer prior to use.

**907-403.03.5--Overlays or Widening and Overlays.** In addition to the requirements of Subsections 907-403.03.1 through 907-403.03.4, the following requirements will be applicable when an existing pavement is to be overlaid or widened and overlaid.

**907-403.03.5.1--Blank.**

**907-403.03.5.2--Sequence of Operations.** In order to expedite the safe movement of traffic and to protect each phase of the work as it is performed, a firm sequence of operations is essential. Unless otherwise provided in the traffic control plan and/or the contract, the following appropriate items of work shall be begun and continually prosecuted in the order listed:

- (a) In sections designated by the Engineer, trim the shoulders along the pavement edges to provide drainage from the pavement.
- (b) Perform pre-rolling to locate areas of pavement with excessive movement per Section 511.
- (c) Perform selective undercutting and patching as directed per Subsection 907-403.03.5.4.
- (d) Perform pressure grouting as specified in Section 512.
- (e) Clean and seal joints per Section 413.
- (f) Complete preparation on one side of roadway to be widened and place widening



materials.

- (g) Reconstruct shoulders to elevation necessary to assure traffic safety.
- (h) Open the widened section to traffic.
- (i) Complete above work for other side of roadway.
- (j) Perform preliminary leveling as directed.
- (k) Apply interlayer as specified.
- (l) Place the first overall leveling lift.
- (m) After the first overall leveling lift, reconstruct shoulders as necessary to eliminate vertical differentials which may be hazardous to traffic.
- (n) Place first intermediate lift.
- (o) Construct shoulders to the contiguous elevation of the first intermediate lift.
- (p) Place remaining intermediate lift, if required.
- (q) Place surface lift.
- (r) Complete construction of shoulders.
- (s) Apply permanent traffic marking.
- (t) Final cleanup.

The above operations shall be performed in such a manner that traffic will be maintained on a paved surface at all times. Two-lane, two-way highways should not be restricted to a single lane in excess of a 3,000-foot section.

**907-403.03.5.3--Widening of Pavement.** The foundation for widening shall be formed by trenching or excavating to the required depth and constructing a smooth, firm and compacted foundation. It shall have sufficient density and stability to withstand the placement and compaction of subsequent lifts. Soft, yielding and other unsuitable material which the Engineer determines will not compact readily shall be removed and backfilled with granular material or asphalt as directed.

Except as provided herein, excavation for widening, undercutting or other required excavation shall be spread along the edge of the shoulders, foreslopes or other adjacent areas as directed and will be an absorbed item. When the quantity is in excess of what may be used satisfactorily on adjacent areas, the Engineer may direct that the material be loaded, hauled and spread uniformly

on other designated areas. In this case, compensation for handling surplus material will be in accordance with the appropriate pay items as provided in the contract or as extra work.

If the plans require widening of the shoulders or embankment with Contractor furnished material, all suitable material obtained from widening excavation may be used and will be measured and paid for as Contractor furnished materials. No measurement for payment of haul will be made.

Removal and disposal of old stakes, forms and other debris encountered in excavating shall be in accordance with Section 201 and shall be considered as incidental to and included in the unit prices bid for other items. No separate measurement will be made therefor. Pavement edges and surfaces shall be cleaned prior to final shaping and compaction of adjacent trenching or undercut areas.

Granular material for widening shall be placed on a previously prepared, smooth, firm and unyielding foundation in accordance with the typical section. Density of the granular material shall be as specified.

Asphalt for widening, including trench widening, shall meet the applicable requirements of Section 907-401, Section 907-403, and shall be placed in one or more layers as shown on the plans or directed. The surface of the mixture shall be finished as a continuation of the adjacent pavement slope.

Trench rollers or other compaction equipment shall be used to compact the foundation, granular material and bituminous mixtures for widening when standard width rolling equipment cannot be used.

**907-403.03.5.4--Patching.** Existing pavement which has failed or unsatisfactorily stabilized shall be removed as directed. Removal of pavement will be measured and paid for under the appropriate pay items as provided in the contract.

Backfill shall consist of asphalt or a combination of compacted layers of aggregate material and asphalt. Unless otherwise specified, the Engineer will make this determination based on depth and field conditions.

Asphalt used for backfilling will be measured and paid for at the contract unit price for the mixture designated on the plans as the lowest lift. Aggregate will be measured and paid for under the appropriate pay item as provided in the contract or as extra work.

**907-403.03.5.5--Preliminary Leveling.** All irregularities of the existing pavement, such as ruts, cross-slope deficiencies, etc., shall be corrected by spot leveling, skin patching, feather edging or a wedge lift in advance of placing the first overall lift.

**907-403.03.5.6--Placement of Lifts.** The leveling lift shall be placed in a layer, or layers, not exceeding approximately two and one-half inches compacted thickness.

When single lane construction is required, placement of a lift on the adjacent lane may be performed by an approved profile averaging device provided the lane previously placed is within the allowable tolerances for all surface requirements. When any of the tolerances are exceeded, the Contractor shall reestablish the control stringline for laying the adjacent lane should the Contractor elect to perform this work prior to correcting the deficiencies of the lane previously placed. In no case shall a "matching shoe" be used to control the grade of an adjacent lane.

In instances where there are only minor deviations from the allowable tolerances in the first overall lift, the Engineer may permit the Contractor to place the next higher lift by graded stringline in lieu of making the corrections.

Single lane placement of leveling, intermediate and surface lifts shall be limited to the distance covered in one and one-half days in advance of that placed in the adjacent lane.

**907-403.03.5.7--Protection of Pavement.** The pavement shall be protected and properly maintained until it has been compacted and cooled sufficiently for use by traffic.

**907-403.04--Method of Measurement.** Asphalt pavement, of the type specified, will be measured by the ton. The weight of the composite mixture shall be determined in accordance with the provisions of Subsection 907-401.03.2.1.11.

The pay quantities for each individual job mix formula (JMF) will be calculated using the approved JMF maximum specific gravity (Gmm) and the following formulas.

When the composite mixture has a maximum specific gravity of 2.540 or less,

$$T_p = T_w$$

When the composite mixture has a maximum specific gravity greater than 2.540,

$$T_p = T_w((100-(((Gmm*A*B)-C)/(Gmm*A*B))*100))/100$$

Where:

- T<sub>p</sub> = Total tonnage for payment
- T<sub>w</sub> = Total tonnage weighed, used and accepted
- G<sub>mm</sub> = Maximum Specific Gravity of the approved composite asphalt mixture
- A = 46.725 lbs/yd<sup>2</sup>/in
- B = 0.93 = 93% density
- C = 110.374 lbs/yd<sup>2</sup>/in = Theoretical density at 2.540 G<sub>mm</sub>

Unless shown as a separate pay item, the furnishing and application of the tack coat will not be measured for payment. When payment is provided, tack coat will be measured as set out in Section 407.

Joint sealant will be measured by the linear foot for each joint sealed.

The quantity of bituminous mixture required to correct the work, when made at the expense of the Contractor, will not be measured for payment.

Any trenching required for widening will not be measured for payment, such cost thereof shall be included in other items of work.

Undercut required by the Engineer will be measured for payment under the appropriate excavation item as provided in the contract or as extra work. Pavement removal and any required trenching will not be included in the measurement for undercut.

Class "B" structural concrete base substituted for asphalt under portland cement concrete bridge end pavement, as per Subsection 502.03.1, will be paid for as asphalt calculated as follows:

Square yards of portland cement concrete bridge end pavement x concrete base thickness in inches x 0.055 = tons of asphalt.

**907-403.05--Basis of Payment.** Subject to the adjustments set out in Subsections 907-401.02.6.3, 907-401.02.6.4, 907-401.02.6.5 & 907-403.03.2, asphalt pavement, measured as prescribed above, will be paid for at the contract unit price per ton for each lift of pavement specified in the bid schedule and shall be full compensation for completing the work.

Joint sealant will be paid for at the contract unit price per linear foot for each joint which shall be full compensation for furnishing the joint sealant material, cleaning the joint, applying the sealant, and for all equipment, tools, labor, and incidentals necessary to complete the work.

**907-403.05.1--Price Adjustment for Thickness Requirement.** When grade stakes are eliminated as provided in Subsection 907-403.03.3 and the average thickness of all cores from lots representing a day's production is more than three eights of an inch (3/8") thicker than the total specified thickness of the pavement, excluding lift(s) placed using an established grade line, a lump sum reduction in payment for the surface lift of lots representing a day's production will be made as follows:

$$\text{Individual Day's L.S. Reduction} = \frac{\text{Monetary Value of the Day's Surface Lift Production} \times (D - 3/8)}{ST}$$

Where:

D = The day's average deviation from total pavement thickness shown on the plans, excluding lift(s) placed using an established grade line.

ST = Specified thickness for surface lift.

The total L.S. reduction for the project is the summation of the individual day's reductions in payment.

**907-403.05.2--Pay Items.**

Payment will be made under:

907-403-A: <u>(1)</u> , <u>(4)</u> , Asphalt Pavement	- per ton
907-403-B: <u>(2)</u> , <u>(4)</u> , Asphalt Pavement, Leveling	- per ton
907-403-C: <u>(3)</u> , <u>(4)</u> , Asphalt Pavement, Trench Widening	- per ton
907-403-D: <u>(2)</u> , HT, Asphalt Pavement, Polymer Modified	- per ton
907-403-E: <u>(2)</u> , HT, Asphalt Pavement, Polymer Modified, Leveling	- per ton
907-403-S: Joint Sealant	- per linear foot or mile

- (1) 4.75-mm mixture, 9.5-mm mixture, 12.5-mm mixture, 19-mm mixture, or 25-mm mixture
- (2) 4.75-mm mixture, 9.5-mm mixture, 12.5-mm mixture, or 19-mm mixture
- (3) 19-mm mixture or 25-mm mixture
- (4) ST, MT or HT

MISSISSIPPI DEPARTMENT OF TRANSPORTATION

SPECIAL PROVISION NO. 907-407-2

CODE: (SP)

DATE: 07/22/2014

SUBJECT: Tack Coat

Section 407, Tack Coat, of the 2004 Edition of the Mississippi Standard Specifications for Road and Bridge Construction is hereby amended as follows:

**907-407.02.1--Bituminous Material.** Delete the second sentence of the first paragraph of Subsection 407.02.1 on page 281, and substitute the following:

When not specified, the materials shall be as specified in Table 410-A on page 293.

**907-407.03.3--Application of Bituminous Material.** Delete the first paragraph of Subsection 407.03.3 on page 281, and substitute the following.

Tack coat shall be applied with a distributor spray bar. A hand wand will only be allowed for applying tack coat on ramp pads, irregular shoulder areas, median crossovers, turnouts, or other irregular areas. Bituminous materials and application rates for tack coat shall be as specified in Table 410-A on page 293. Tack coat shall not be applied during wet or cold weather, or to a wet surface. Emulsions shall be allowed to "break" prior to superimposed construction.

**907-407.05--Basis of Payment.** Delete the pay item at the end of Subsection 407.05 on page 282, and substitute the following:

907-407-A: Asphalt for Tack Coat \* - per gallon

\* Grade may be specified

**MISSISSIPPI DEPARTMENT OF TRANSPORTATION**

**SPECIAL PROVISION NO. 907-601-1**

**CODE: (IS)**

**DATE: 08/29/2007**

**SUBJECT: Structural Concrete**

Division 600, Incidental Construction, of the 2004 Edition of the Mississippi Standard Specifications for Road and Bridge Construction is hereby amended as follows:

After the heading **DIVISION 600 - INCIDENTAL CONSTRUCTION**, add the following:

Unless otherwise specified, all testing of Portland cement concrete in Division 600 shall be in accordance with the requirements of Subsection 907-601.02.1.

**907-601.02--Materials.**

**907-601.02.1--General.** Delete the second and third sentence of the first paragraph of Subsection 601.02.1 on page 348, and substitute the following:

Sampling and testing will be in accordance with TMD-20-04-00-000 or TMD-20-05-00-000, as applicable.

**907-601.03.6.3--Removal of Falsework, Forms, and Housing.** Delete the first paragraph, the table and second paragraph of Subsection 601.03.6.3 on pages 349 and 350, and substitute the following:

The removal of falsework, forms, and the discontinuance of heating, shall be in accordance with the provisions and requirements of Subsection 907-804.03.15, except that the concrete shall conform to the following compressive strength requirements:

Wingwall and Wall Forms not Under Stress .....	1000 psi
Wall Forms under Stress .....	2200 psi
Backfill and Cover clear .....	2400 psi

In lieu of using concrete strength cylinders to determine when falsework, forms, and housings can be removed, an approved maturity meter may be used to determine concrete strengths by inserting probes into concrete placed in a structure. The minimum number of maturity meter probes required for each structural component shall be in accordance with Subsection 907-804.03.15. Procedures for using the maturity meter and developing the strength/maturity relationship shall follow the requirements of Subsection 907-804.03.15. Technicians using the maturity meter or calculating strength/maturity graphs shall meet the requirements of Subsection 907-804.03.15.

**907-601.05--Basis of Payment.** Add the “907” prefix to the pay items listed on page 352.

**MISSISSIPPI DEPARTMENT OF TRANSPORTATION**

**SPECIAL PROVISION NO. 907-618-13**

**CODE: (SP)**

**DATE: 06/03/2014**

**SUBJECT: Temporary Construction Signs**

Section 618, Maintenance of Traffic and Traffic Control Plan, of the 2004 Edition of the Mississippi Standard Specifications for Road and Bridge Construction is hereby amended as follows.

**907-618.03--Construction Requirements.**

**907-618.03.2--Barricades, Signs, and Flaggers.** Delete the second paragraph of Subsection 618.03.2 on page 414, and substitute the following.

Flaggers shall be stationed at such points as may be deemed necessary.

Temporary construction signs shall be removed as their use becomes inapplicable. However, placing temporary signs and their supports flat on the ground outside the shoulder break line will be allowed.

**907-618.05--Basis of Payment.** Delete the first two pay items listed on page 418, and substitute the following.

907-618-A: Maintenance of Traffic - lump sum

907-618-B: Additional Construction Signs - per square foot



## MISSISSIPPI DEPARTMENT OF TRANSPORTATION

SPECIAL PROVISION NO. 907-630-7

CODE: (SP)

DATE: 05/16/2007

SUBJECT: Remove and Reset Signs

Section 630, Traffic Signs and Delineators of the Mississippi Standard Specifications for Road and Bridge Construction, 2004 Edition, is hereby amended as follows:

**907-630.01--Description.** After the last paragraph of Subsection 630.01 on page 454, add the following:

Selected existing, temporarily installed, and/or permanently installed signs other than construction traffic control signs shall be removed and reset as shown on the plans, in the contract documents, or as directed by the Engineer. Removing and resetting of signs may include provisions of continuous sign visibility by the traveling public before, during, and after the operation. The Contractor shall provide all materials necessary to remove and reset the sign, including any footings, supports, brackets, hardware, breakaway features and other incidentals. All installations within 30 feet of the pavement edge of temporary or permanent thru lanes shall include breakaway support features certified to meet NCHRP Report 350 prior to the removal and resetting of the sign.

**907-630.04--Method of Measurement.** After the last paragraph of Subsection 630.04 on page 463, add the following:

Remove and reset sign whether an existing, temporarily installed, and/or permanently installed signs will be measured as a unit quantity per each consisting of work as described above. Each removal and resetting of a sign assembly as described herein will be measured for payment. No separate measurement will be made for removal only of a sign assembly, as said removal shall be included in the appropriate pay item for removal of signs. If a sign assembly is removed and temporarily placed in storage, then later reset as directed by the Engineer, measurement for payment will be made one time only, after the stored sign is reset. No separate measurement will be made for any materials necessary to effect the removal and resetting, including footings, supports, brackets, hardware, breakaway features and other incidentals.

**907-630.05--Basis of Payment.** After the first paragraph of Subsection 630.05 on page 463, add the following:

Remove and reset sign, measured as prescribed above, will be paid for at the contract unit price per each, which price shall be full compensation for furnishing and placing all materials necessary to effect the removal and resetting, including footings, supports, brackets, hardware, breakaway features; and for all labor, equipment, tools and incidentals necessary to complete the work.

Add the following to the list of pay items on page 463.

907-630-O: Remove and Reset Sign, Description - per each

## MISSISSIPPI DEPARTMENT OF TRANSPORTATION

**SPECIAL PROVISION NO. 907-630-14**

**CODE: (SP)**

**DATE: 08/12/2014**

**SUBJECT: Contractor Designed Sign Supports**

**PROJECT: CM-0017-00(041) / 106852301 -- Desoto County**

Section 630, Traffic Signs and Delineators, of the 2004 Edition of the Mississippi Standard Specifications for Road and Bridge Construction is hereby amended as follows.

**907-630.01--Description.** Delete the last two paragraphs of Subsection 630.01 on page 454 and substitute the following:

The Contractor shall submit to the Bridge Engineer a design using steel. The design shall be a rectangular box truss connected at both the top and bottom to the vertical support posts. With the exception of cantilever mounts, overhead support structures shall have two vertical support posts at each end of the truss. Design drawings, calculations and other necessary supporting data shall be submitted as soon as possible after the Pre-Construction Conference. The design shall be prepared by a Professional Engineer registered in the State of Mississippi proficient in the design of overhead sign structures.

At a minimum, overhead sign supports shall be designed to withstand a 90 mph sustained wind speed. For projects that are in areas with higher wind standards, the higher standard is required. In addition to the loads required in the design specifications, overhead sign supports shall be designed to support a uniform load of 40 pounds per linear foot applied to the vertical truss to which the signs are attached, extending along the truss across the roadway below from points four feet outside each outer edge of pavement, unless otherwise specified. Appropriate damping or energy absorbing devices shall be installed in the event that an overhead structure is erected without installation of the permanent sign panels or if the area of permanent sign panels installed is not sufficient to prevent detrimental wind-induced vibration.

The larger of the following sign configurations shall be used in the design of overhead sign support structures:

- 1) The sign dimensions and configuration shown in the contract plans
- 2) Sign Height: 20 feet; Sign Width: Pavement Edge to Pavement Edge plus 16 feet
- 3) Sign Height: 20 feet; Sign Width: Post to Post Clear Spacing minus 44 feet

The sign widths in configurations 2) and 3) should be located symmetrically about the center of the truss.

For smaller and lighter Type 3 DMS signs where an overhead support is not specified on the plans and a walk-in enclosure is not included, a triple post support can be provided. This post

sign support shall be designed to withstand the same wind speed requirements specified above for the overhead supports.

**901-630.01.1--Dynamic Message Sign Supports.** In addition to the requirements above, supports for Dynamic Message Signs (DMS) shall also meet the following requirements.

The sign structure manufacturer shall consider truck induced wind loading in deflection calculations. The natural frequency response of the structure to truck induced wind loads when span type DMS structure are used shall be considered. More information can be obtained on this subject in the Transportation Research Board (National Research Council) "Truck Induced Wind Loads on Variable Message Signs", Research Record No. 1594, published in 1997.

The Contractor shall be responsible for the complete design of the structure, catwalk, footing, median barrier replacement, DMS attachments and all other related hardware.

Each structure shall be fully warranted for but not limited to rust, corrosion and structural failure as a complete assembly by the manufacturer.

The Contractor shall determine the actual span length and the actual length of support columns for all sign structures on the basis of existing field conditions and detailed survey completed by the Contractor.

All DMS over the roadway sign structures shall include a catwalk. The Contractor shall be responsible for the catwalk design and shall submit the design calculations to the Bridge Engineer for approval. For over the roadway signs, the catwalk shall span from the outside edge of the shoulder to the door on the DMS. The bottom of the catwalk shall be covered with a heavy galvanized wire mesh which shall have openings no larger than 1/4". The handrail for the catwalk shall be designed such that it can be lowered when it is not in use. The catwalk shall include a gate that shall be designed such that it is lockable via a pad lock and key or other approved locking mechanism to prevent unauthorized entry.

All pedestal mounted DMS sign structures shall consist of a single steel pole with the DMS centered over the front face of the pole. The top of the pole shall not extend above the top of the DMS.

All post supported type 3 DMS shall consist of a triple post support and the top of the posts shall not extend above the top of the DMS.

Pedestal mounted structures shall also include a catwalk "Landing" area on the same side as the door of the DMS. This Landing area shall be of sufficient size and design to allow someone to stand on the landing area prior to opening the door and entering the walk-in structure. If a non-walkin DMS is provided, the pedestal mounted structure shall include a catwalk of sufficient length for the entire DMS to be serviced from the catwalk. The bottom of the catwalk shall be covered with a heavy galvanized wire mesh which shall have openings no larger than 1/4". The handrail for the catwalk shall be designed such that it can be lowered when it is not in use.

The Contractor shall be responsible for performing soil borings at each location to be used in the design of the foundations and sign supports. If soil conditions required the use of any shoring, casings, or sonotube for proper installation of the foundations, the cost of the shoring, casings or sonotube shall be included in the price of the structure.

**907-630.04--Method of Measurement.** After the last paragraph of Subsection 630.04 on page 463, add the following:

Pedestal Sign Supports will be measured per lump sum for each specific assembly. Such measurement shall be inclusive of the support structure, foundations, catwalk, connection hardware, conduit on the structure and foundation, soil borings, sign and footing design, and connections to the support structure. It shall also include any items necessary for median barrier repair, required repaving around median barrier foundations and all work, equipment and appurtenances as required to have the structure complete, in place and ready for use.

Post Sign Supports will be measured per lump sum for each specific assembly. Such measurement shall be inclusive of all the support posts, foundations, connection hardware, conduit on the structure and foundation, soil borings, sign and footing design, and connections to the support structure. It shall also include any items necessary for median barrier repair, required repaving around median barrier foundations and all work, equipment and appurtenances as required to have the structure complete, in place and ready for use.

**907-630.05--Basis of Payment.** After the first paragraph of Subsection 630.05 on page 463, add the following.

Pedestal Sign Supports, measured as prescribed above, will be paid for at the contract bid price per lump sum, which price shall include the support structure, foundations, catwalk, connection hardware, conduit on the structure and foundation, soil borings, sign and footing design, connections to the support structure, median barrier repair, required repaving around median barrier foundations and all work, equipment and appurtenances as required to have the structure complete, in place and ready for use. This price shall be full compensation for all labor, tools, materials, equipment and incidentals necessary to complete the work.

Post Sign Supports, measured as prescribed above, will be paid for at the contract bid price per lump sum, which price shall include all the support posts, foundations, connection hardware, conduit on the structure and foundation, soil borings, sign and footing design, connections to the support structure, median barrier repair, required repaving around median barrier foundations and all work, equipment and appurtenances as required to have the structure complete, in place and ready for use. This price shall be full compensation for all labor, tools, materials, equipment and incidentals necessary to complete the work

Payment will be made under:

Add the "907" prefix to pay item nos. 630-I and 630-J on page 463.

After the last pay item listed on page 463, add the following.

907-630-M: Pedestal Sign Support, Assembly No. \_\_\_\_\_,  
Contractor Designed - lump sum

907-630-Q: Post Sign Support, Assembly No. \_\_\_\_\_,  
Contractor Designed - lump sum

## MISSISSIPPI DEPARTMENT OF TRANSPORTATION

SPECIAL PROVISION NO. 907-637-5

CODE: (SP)

DATE: 2/28/2013

SUBJECT: ITS Equipment Cabinets

Section 637, Equipment Cabinets, of the 2004 Edition of the Mississippi Standard Specifications for Road and Bridge Construction is hereby deleted and replaced as follows.

### **SECTION 907-637--ITS EQUIPMENT CABINETS**

**907.637.01--Description.** This Section specifies the minimum requirements for equipment cabinets furnished and installed for Mississippi Intelligent Transportation Projects. The cabinet will provide a protective outdoor housing enclosure in which to install field hardware required for ITS devices. Major elements of the equipment cabinet include the cabinet housing and equipment mounting hardware, interior wiring and termination facilities, power supplies, electrical accessories and field installation. Work also includes making modifications to existing ITS cabinets in accordance with the plans, specials provisions, Notice to Bidders and contract documents.

#### **907-637.02--Materials.**

##### **907-637.02.1--Blank.**

**907-637.02.2--Equipment And Materials.** The Contractor shall furnish Only new equipment and materials as follows.

- 1) Furnish equipment cabinets and integral materials recommended by the manufacturers for outside plant use and the intended application. This requirement includes wiring and electrical materials and configurations (including connector pin-outs) that are wholly or partially related to the field device applications (CCTV, RDS, VDS, etc.).
- 2) Furnish and configure equipment cabinets to be installed at locations as shown in the Plans. Furnish and configure all equipment and materials for each specific location as shown in the Plans.
- 3) Provide electrical system and components with UL-listings.
- 4) Unless otherwise specified, provide wire and cable with stranded copper conductors, 75°/90° Celsius wet/dry rated insulation, and sized for the maximum voltage and current in the circuit.

**907-637.02.3--Components Specified As Rail-Mounted.** Components specified as rail-mounted shall be compliant as follows.

- 1) DIN EN 50022 (NS35) component rails.
- 2) Component rails shall be the perforated type and of sufficient length as to protrude beyond the mounted components for fastening to cabinet panels as specified herein.
- 3) UL 1059.
- 4) UL 486E.
- 5) NEMA ISC-4.
- 6) Alternate Rail configurations may be submitted to the Engineer for consideration and approval.

**907-637.02.4--Terminal Blocks and Component Terminals.** Terminal Blocks and Component Terminals shall meet the following.

- 1) Shall be nickel-plated copper, copper alloy or brass.
- 2) Terminal blocks shall have voltage and current ratings greater than the ratings of the wires that are terminated, be able to terminate wires from #8 AWG to #1/0 AWG wiring and shall be assembled into housing enclosures such that all exposed surfaces are touch-safe. Conductor fastening screws shall be captive. Terminal block housings shall be colored as follows:
  - a. 120 VAC line/hot: black
  - b. 120 VAC neutral: white
  - c. 24 VDC positive: red
  - d. 24 VDC negative: gray
  - e. RS485 communications: orange
  - f. Ground: green or green/yellow

**907-637.02.5--Door Locks.** Door Locks shall meet the following.

- 1) Provide door locks for all cabinet doors, keyed to MDOT standard Corbin No. 15481RS lock keyed to be operated with a traffic industry conventional No. 2 Key, Corbin No. 1R6380 made from heavy-duty blanks.
- 2) Provide two keys with each cabinet.

**907-637.02.6--Labels.** Labels shall be provided with agency name, device name and ID labels on all cabinets. Labels shall meet the following minimum requirements:

- 1) Labels shall be flat black lettering on a reflective white background. Lettering shall be a minimum of 1 inch in height.
- 2) Labels shall be manufactured from pre-coated adhesive backed reflective sheeting material meeting the minimum requirements of AASHTO M268 Type 1.
- 3) The agency name labels shall be "MDOT ITS" in one continuous adhesive sheet.
- 4) The device ID labels shall include the device name as an acronym and a hyphen, and shall be one continuous adhesive sheet. Device name acronyms are "CCTV-", "RDS-", "VDS-" or "DMS-".
- 5) The device ID shall be numerals corresponding to the location and shall be installed adjacent to the acronym sheet. Multiple device IDs of the same type shall be on the same line separated with a space. Examples: "CCTV-73", "RDS-219 220", "VDS-303 304".



- 6) Labels shall be installed along the top of the cabinet door (front cabinet door on Type B cabinets), with MDOT ITS label at the top and the device ID labels immediately underneath.

Provide a voltage label on all cabinets or enclosures in accordance with the NEC labeling requirements. Voltage labels shall meet the following minimum requirements:

- 1) Labels shall be flat black lettering on a reflective yellow background. Lettering shall be a minimum of 1 inch in height.
- 2) Labels shall be manufactured from pre-coated adhesive backed reflective sheeting material meeting the minimum requirements of AASHTO M268 Type 1.
- 3) Labels shall include the voltages entering the cabinet and shall be one continuous adhesive sheet. Examples are "120VAC" or "24VDC".
- 4) Labels shall be installed on all cabinet doors.

**907-637.02.7--Type A Cabinet.** Type A cabinets shall meet the following.

- 1) All Type A cabinets shall be identical in manufacture and assembly, capable of supporting Radar Detection System units.
- 2) Provide a Type A cabinet intended for outdoor use with a minimum NEMA 3R rating.
- 3) The cabinet enclosure shall be manufactured from 0.125-inch aluminum.
- 4) The cabinet shall provide a minimum of one ventilation louver on at least two sides. Any louver opening greater than 3/16 inch in any dimension shall be screened to prevent insect entry.
- 5) The cabinet shall be intended for strapped pole-mounting; provide all mounting hardware necessary including 1/2-inch stainless steel mounting straps.
- 6) Provide a Type A cabinet enclosure with dimensions of 18 inches (H) by 14 inches (W) by 8 inches (D) with a tolerance of +/- 0.25 inches.
- 7) Cabinet door shall reveal the entire front opening of the cabinet for accessibility. The hinge shall be designed to prevent the door from sagging.
- 8) Include a single-piece 0.125-inch aluminum back panel covering no less than 90% of the cabinet back wall. Back panel shall be affixed to the enclosure with threaded fasteners and shall be removable from the enclosure with hand tools only and without requirement to remove the cabinet door, mounting straps, or any other components other than communications or device wiring.
- 9) The cabinet shall be furnished with doorstops, which retain the doors open in a 90 degree and 120 degree positions.
- 10) Provide on the back panel a grounding lug directly bonded to the back panel capable of terminating #6 AWG wire.

**907-637.02.7.1--RDS Communications Wiring.** RDS communication wiring shall meet the following.

- 1) Component rail physically and electrically fastened to the cabinet back panel.
- 2) Strain relief brackets for the RDS comm. cable(s) and the RDS unit harness cables.

- 3) Parallel-connection single-stage surge suppressors for the four wire RS-485 data signal for the RDS units with integral or separate terminals for a minimum of three RDS comm. Cables.
- 4) Parallel-connection zero-power dissipation surge suppressor for the 12-24VDC power supply for the RDS units with integral or separate terminals for a minimum of three RDS comm. cables and two RDS unit harness cables.
- 5) Connection/jumper wiring between the surge suppressors and the local/remote communications disconnect module(s) shall be of the same conductor size, type, and insulation color as in the RDS comm. cable.

**907-637.02.8--Type B Cabinet.** Type B cabinets shall meet the following.

- 1) All Type B cabinets (except those at solar power locations) shall be uniform in manufacture and assembly, capable of supporting the field equipment as shown on the plans. As a minimum support is required for two RDS units, one Type A or B network switch, one video encoder, one Type A radio/antenna, RDS comm. cable and fiber drop panel terminations, regardless of the devices shown in the Plans at a specific location.
- 2) A complete Type B cabinet shall be an assembly consisting of a cabinet housing and electrical subsystems.
- 3) Provide a Type B cabinet housing that conforms to the standards for a Type 170 336S (approximate exterior dimensions 46 inches (H) x 24 inches (W) x 23 inches (D)), including standard EIA 19-inch rack cabinet cage, as defined in the latest version of the Caltrans Transportation Electrical Equipment Specifications (TEES). The minimum clear vertical inside dimension of the 19-inch rack for equipment mounting shall be 39.5 inches. Standard cabinet accessories for traffic signal operations, such as controller, power distribution assembly, input/output file and termination panels, and the police panel, are not required as part of this cabinet assembly.

**907-637.02.8.1--Hardware.** Hardware shall meet the following.

- 1) Provide all mounting hardware necessary for base or pole mounting as shown on the plans. As a minimum provide three (3) 3/4-inch stainless steel mounting straps for pole mounted cabinets.
- 2) Include hooks, welded to the inside of each cabinet door, for hanging a side-opening, opaque, resealable, heavy-duty plastic documentation pouch with metal or hard-plastic reinforced holes for the door hooks. Provide one pouch with each cabinet.
- 3) Include a rack-mounted cabinet sliding storage drawer in accordance with the following:
  - a. Approximate exterior dimensions 1.75 inches (H) x 16 inches (W) x 14 inches (D).
  - b. Telescoping drawer guides to allow full extension from the rack cage.
  - c. Opening storage compartment lid to access storage space for cabinet documentation and other items.
  - d. Supports a weight of 25 lb when extended.
  - e. Non-slip plastic laminate surface attached to the compartment lid which covers a minimum of 90% of the surface area of the lid.
  - f. Mounted in the rack cage with the bottom surface approximately 9 inches above the bottom of the rack cage.

- 4) Includes side panels within the two sides of the rack cabinet cage, inserted and fastened from the inside of the cage. Use side panels fabricated from 0.125 inch 5052 sheet aluminum alloy and sized to the full inside dimensions of the rack cabinet cage. Side panel surfaces for equipment mounting are denoted by cabinet side, with the "right" side being the support pole side, and by upper or lower as related to the sliding storage drawer. Upper right side panel (support pole side of cabinet, above the drawer) and lower left side panel (opposite side from the support pole, below the drawer) are example side panel surface names.
  - a. Includes a 12-inch long DIN rail (for future components) mounted in the horizontal and vertical center of the lower left side panel.

**907-637.02.8.2--Electrical Subsystems.** Provide Type B cabinet electrical subsystems meeting the following requirements (Note: Type B Cabinets at Solar Power Locations are not required to meet Section 637.05.02 requirements):

- 1) Includes an electrical distribution module comprised of the following DIN rail-mounted components:
  - a. Service entrance terminal block with positions for 120VAC line, neutral, and ground and capable of terminating minimally #6 through #8 AWG wire, located at one end of the mounting rail with an approximately 0.75 inch blank spacer module adjacent to the main cabinet breaker.
- 2) Main cabinet automatic overcurrent 15A circuit breaker that is UL-listed and of the mechanical-magnetic type rated for use from -18° C to 50° C minimum.
- 3) Main cabinet surge suppressor for single-phase 120VAC service entrance, parallel wired with a clamp voltage of approximately 280V and capable of a surge current of at least 20,000 amps.
- 4) Main cabinet filter for power line noise and switching transient suppression, integral to, or separate from and wired to, the main cabinet surge suppressor.
- 5) Electrical distribution terminal block for line and neutral conductors parallel wired to the main cabinet surge suppressor but non-filtered, with a minimum terminating capability of six conductors of #10 to #18 AWG. Label the terminal block as "ACCY POWER".
- 6) Electrical distribution terminal block for line and neutral conductors for circuits on the load/equipment side of the power line filter, with a minimum terminating capability of six conductors of #10 to #18 AWG. Label the block as "EQUIP POWER".
- 7) Electrical distribution terminal block for grounding and bonding conductors located on the same rail but separate from the service entrance terminal block and connected to the entrance ground with a #6 AWG green insulated wire. The grounding block shall have a minimum terminating capability of two #6 AWG conductors and ten #10 to #18 AWG conductors.
- 8) Ground fault interrupt duplex receptacle (NEMA 5-15R) with 2.5A circuit breaker connected to the ACCY POWER distribution block. Permanently affixed to the receptacle, provide two red, orange or green/yellow labels with minimum 0.25 inch lettering with the legend "300 WATTS MAX". This receptacle is for technician use only and shall not be used to power equipment.
- 9) Include two duplex non-GFCI equipment power receptacles (NEMA 5-15R) connected to the EQUIP POWER distribution block mounted on the upper rear corner of the cabinet

upper right side panel. Permanently affixed to the receptacle, Provide two red, orange or green/yellow labels with minimum 0.25 inch lettering with the legend "75 WATTS MAX" permanently affixed to the receptacle.

- 10) Interconnection wiring between all electrical distribution module components and the other systems included in or housed in the Type B cabinet.

**907-637.02.8.3--Lighting Subsystem.** Include a cabinet lighting subsystem comprised of the following components:

- 1) One fluorescent lighting fixture, minimum 15 watt, mounted on the inside top front portion of the cabinet, with a cool white lamp with shatter-proof cover and operated by a normal power factor UL listed ballast.
- 2) A resistor-capacitor network noise suppressor installed across the light fixture power terminals.
- 3) Two door-actuated switches installed to turn on the cabinet light when either door is opened.
- 4) Powered from the ACCY POWER distribution block.

**907-637.02.8.4--RDS Communications Subsystem.** Where RDS are shown in the plans include DIN rail-mounted components that include the following:

- 1) Nominal 24VDC output power supply, capable of user setting between 23 and 28VDC minimum, with minimum 1A output rating and minimum operating temperature range of -25° C to +70° C. Power supply shall provide terminal facilities for a minimum of three sets of #14 AWG conductors (in the RDS comm cable). Maximum size of the power supply shall be 1 inch (W) X 7 inches (H) X 7 inches (D). Connect the power supply to the EQUIP POWER distribution block for 120VAC input.
- 2) Include interconnection wiring between the RDS communications subsystem and the Terminal Server.
- 3) Surge suppressor for the RS485 data signal, wired between the terminal server and the RDS units shall be provided. The surge suppressor shall protect the 4-wire RS485 data signal with hybrid multi-stage suppression components including gas tube and silicon avalanche diode. The surge suppressor shall have a response time no greater than 1 nanosecond. The surge suppressor shall provide terminal facilities for a minimum of four two-pair cables of #22 AWG conductors.

**907-637.02.8.5--CCTV Subsystem.** The requirements listed in Subsection 650.2.12 shall be met by installing the required CCTV support equipment in the Type B Cabinet.

**907-637.02.9--Type C Communication Hub Cabinet.** A complete Type C cabinet shall be an assembly consisting of a cabinet housing, base and electrical subsystems.

The Type C cabinet shall be an AASHTO/ITE/NEMA ITS Cabinet Standard specification Cabinet Housing #3 with two Cages #1. It shall be equipped with four (4) side mounting panels in the rack cabinet cages. The side mounting panels shall mount from inside the rack cabinet cage only. The side panels shall be fabricated from 5052 sheet aluminum alloy with a minimum

thickness of 0.125-in with minimum dimensions of 50 inches (H) x 21 inches (W). Standard cabinet accessories for traffic signal operations, such as controller, power distribution assembly, input/output file and termination panels, and the police panel, are not required as part of this cabinet assembly.

A minimum of four (4) wiring pass-through holes shall be provided on the inside mounting panels to permit patch cords to pass between the two cabinet sides. Each pass-through hole shall be five (5) inches in diameter and shall be fully grommetted for patch cord protection, with the holes positioned with two (2) in the cabinet front and two (2) in the cabinet rear and aligning horizontally between the two side panels.

**907-637.02.9.1--Hardware.** The hardware shall consist of a minimum of 16 plastic-coated or rubber-coated J-hooks or D-rings, minimum 1-inch depth and height, on the inside rails of the rack cabinet cages, to organize patch cords passing between the two cabinet sides. The J-hooks shall be installed in horizontally-aligned pairs on the inside rails, with four (4) pairs in the cabinet front and four (4) pairs in the cabinet rear.

Hooks shall be welded to the inside of the two front cabinet doors for hanging the plastic documentation pouch. Two plastic documentation pouches shall be provided to store the cabinet and equipment documentation. Pouches shall be side-opening, resealable, opaque, and of a heavy-duty plastic material. Pouches shall have metal or hard-plastic reinforced holes for hanging from hooks included on the cabinet door. The pouches shall be of the size and strength to easily hold all wiring diagrams, equipment documentation, maintenance logbooks, etc.

Two sliding drawers shall be installed that are aluminum storage compartments mounted in the rack assembly with the approximate following dimensions: 1.75 inches (H) x 16 inches (W) x 14 inches (D). The compartments shall have telescoping drawer guides to allow full extension from the rack assembly. When extended, the storage compartments shall open to provide storage space for cabinet documentation and other miscellaneous items. Storage compartment shall be of adequate construction to support a weight of 25 pounds when extended. The tops of the storage compartments shall have a non-slip plastic laminate attached which covers a minimum of 90% of the surface area of the top.

**907-637.02.9.2--Electrical Systems.** Type C cabinet electrical subsystems shall include an electrical distribution module comprised of the following components:

1. Service entrance terminal block with positions for 120VAC line, neutral, and ground and capable of terminating minimally #6 through #8 AWG wire, located at one end of the mounting rail with an approximately 0.75-inch blank spacer module adjacent to the main cabinet breaker.
2. Main cabinet automatic overcurrent minimum 30A circuit breaker that is UL-489 and CSA 22.2 approved and plainly marked with trip, frame sizes and ampere rating. All circuit breakers shall be quick-make, quick-break on either automatic or manual operation. Contacts shall be silver alloy and enclosed in an arc-quenching chamber. Overload tripping shall not be influenced by an ambient air temperature range from -18°C to 50°C. Minimum interrupting capacity shall be 5,000 amperes RMS.

3. Main cabinet surge suppressor for single-phase 120VAC service entrance, parallel wired with a clamp voltage of approximately 280V and capable of a surge current of at least 20,000 amps.
4. Main cabinet filter for power line noise and switching transient suppression, integral to, or separate from and wired to, the main cabinet surge suppressor.
5. Electrical distribution terminal block for line and neutral conductors parallel wired to the main cabinet surge suppressor but non-filtered, with a minimum terminating capability of six conductors of #10 to #18 AWG. The terminal block shall be label as "ACCY POWER".
6. Electrical distribution terminal block for line and neutral conductors for circuits on the load/equipment side of the power line filter, with a minimum terminating capability of six conductors of #10 to #18 AWG. The block shall be as "EQUIP POWER".
7. Electrical distribution terminal block for grounding and bonding conductors located on the same rail but separate from the service entrance terminal block and connected to the entrance ground with a #6 AWG green insulated wire. The grounding block shall have a minimum terminating capability of two #6 AWG conductors and ten #10 to #18 AWG conductors.
8. Ground fault interrupt duplex receptacle (NEMA 5-15R) with 2.5A circuit breaker connected to the ACCY POWER distribution block. Two red, orange or green/yellow labels with minimum 0.25 inch lettering with the legend "300 WATTS MAX" shall be permanently affixed to the receptacle This receptacle is for technician use only and shall not be used to power equipment.
9. Two duplex non-GFCI equipment power receptacles (NEMA 5-15R) shall be provided and connected to the EQUIP POWER distribution block mounted on the upper rear corner of the cabinet upper right side panel.

Interconnection wiring shall be installed between all electrical distribution module components and the other systems included in or housed in the Type C cabinet.

Rack mounted power strip outlets shall be connected to the EQUIP POWER distribution block, mounted near the top of the cabinet. The power strip shall incorporate eight (8) NEMA 5-15R receptacles. The power strip receptacle shall face the back of the cabinet and shall be recessed within the cabinet rack to provide a minimum spacing of thress (3) inches between the outlet's face and the cabinet door when the door is closed.

Door open switches shall be provided on four doors and configure the switches so that any single door opening will provide a circuit closure. The assembly of switches shall be wired to a single two-position terminal block, with normally open circuit that closes upon a door opening.

Two cabinet ventilation fans shall be connected to the ACCY POWER distribution block, with a minimum capacity of 200 cubic feet of free air delivery per minute. The fan thermostat shall be set at its lowest limit or 70°F, which ever is greater.

Each of the four cabinet doors shall have an intake and filter as specified in Subsection 6.2.7.1 of the AASHTO/ITE/NEMA ITS Cabinet Standard specification.

**907-637.02.9.3--Lighting Subsystem.** The lighting subsystem shall be four (4) fluorescent lighting fixtures mounted inside the top portions of each cabinet side. A cool white lamp, covered and operated by a normal power factor UL listed ballast shall be included with the fixture. A RC network noise suppression filter shall be installed in the light circuit. Door actuated switches shall be installed in the front and rear of each cabinet side, configured to turn on all cabinet lights when any door is opened. The lighting fixtures shall be powered from the ACCY POWER distribution block.

**907-637.03--Construction Requirements.**

**907-637.03.1--General.** This work shall meet the following general requirements.

- 1) Install and configure cabinets as shown in the Plans and according to manufacturers recommendations, including installations and dimensions given for pole-mounting in relationship to the surrounding grade.
- 2) Bond all cabinets to the pole grounding lug with minimum #6 AWG stranded copper bare or green-insulated cabinet grounding wire. Alternately on existing poles only, bond the cabinet grounding wire to an existing pole grounding wire with a cast brass or copper alloy threaded compression connector within 4 inches of the existing pole grounding lug.
- 3) Do not install electrical service or electronic devices in the cabinet or connect to the cabinet until ground testing for the pole or structure has been successfully completed and accepted, and the cabinet ground connection has been installed.
- 4) Provide a cabinet wiring and interface diagram to be included in the required hanging, side-opening, able to be resealed opaque, heavy-duty plastic documentation pouch.

**907-637.03.2--Type B and C.** Type B and C cabinets shall meet the following.

- 1) Install and configure equipment in the Type B and C cabinets in accordance with the requirements for that equipment, including RDS units, CCTV, Type A and B network switches, video encoders, Type A radio/antennas, RDS comm. cables and/or fiber distribution or drop panels.
- 2) Do not install electronic devices in the cabinet until electrical service has been installed and activated, and the cabinet ventilation fan is operational.
- 3) Install network switches and video encoders in the top most area of the cabinet rack. Use the equipment receptacles for power.
- 4) Install supporting equipment/electronics for CCTV on the lower area of the cabinet upper left side panel. Ensure there is no physical or access conflict with the network switch and video encoder. Use the EQUIP POWER distribution block for the power source.
- 5) Install fiber drop panels in a vertical configuration on the lower rear edge of the cabinet upper right side panel.

**907-637.03.3--Testing.** The Contractor shall conduct a Project Testing Program as required below. All costs associated with the Project Testing Program shall be included in overall contract prices; no separate payment will be made for any testing.

The ITS Engineer, Project Engineer and/or their designee(s) are only responsible for attending and observing each test, and reviewing and approving the Contractor's test results documentation. The ITS Engineer, Project Engineer and/or their designee(s) reserve the right to attend and observe all tests. The Contractor is required to perform the Conditional Acceptance test with the MDOT ITS Engineer or his designee present.

- 1) The Contractor shall conduct a project testing program for all equipment cabinets. The project testing program shall include but is not limited to the specific requirements in this subsection.
- 2) All test results shall confirm physical and performance compliance with this Special Provision.
- 3) Submit all test results documentation to the Engineer within 7 days of completion of the tests. The Engineer will review test documentation.

**907-637.03.3.1--Standalone Acceptance Test (SAT).** SAT tests shall be as follows.

- 1) Perform a SAT on all equipment cabinets on this project after field installation is complete, including but not limited to all field devices (RDS, CCTV, communications electronics, etc.) to be installed in or connected to that given cabinet.
- 2) A SAT for a given equipment cabinet shall only be performed in conjunction with the SAT for all devices installed in or connected to that given cabinet.
- 3) Visual inspection of installation.
- 4) Inspection of cabinet documentation.
- 5) Functional test of all cabinet equipment, including circuit breaker, receptacles, fan and thermostat, and lights and door switches.
- 6) Measurement of DC power supply operating under full load.

**907-637.04--Method of Measurement.** Equipment Cabinet of the type specified will be measured per each. . Such measurement shall be inclusive of furnishing and installing the equipment cabinet and all related material and equipment specified in the Plans and this Special Provision, and all labor, system integration, testing, system documentation and miscellaneous materials necessary for a complete and accepted installation. It shall also include but is not limited to the cabinet and all interior materials, mounting hardware foundations, external conduit entrances including conduit bodies and nipples, electrical service and pole grounding terminations.

ITS Equipment Cabinet modifications, complete in place, tested, and accepted, will be measured per each installation. Such measurement shall be inclusive of all materials, mounting hardware, fiber splicing identified in the notice to bidders for each cabinet being modified.

**907-637.05--Basis of Payment.** Equipment Cabinet and Equipment Cabinet Modifications, measured as prescribed above, will be paid for at the contract unit price per each, which shall be full compensation for the labor, tools, materials, equipment and incidentals necessary to complete the work.

Progress payments for Equipment Cabinets will be paid in accordance with the following:



- 1) 40% of the contract unit price for delivery of the cabinet housings;
- 2) An additional 40% of the contract unit price for complete installation of equipment cabinet and all interior components, electrical service feed (activated), interior cabinet components, all conduit entrances, grounding connection, and testing;
- 3) An additional 10% of the contract unit price for completion of Stand Alone Site Test of all field devices housed or connected to the equipment cabinet; and
- 4) Final 10% of the contract unit price upon Final System Acceptance.

Payment will be made under:

907-637-A:	Equipment Cabinet, Type __	-per each
907-637-B:	ITS Equipment Cabinet Modifications	-per each

# MISSISSIPPI DEPARTMENT OF TRANSPORTATION

SPECIAL PROVISION NO. 907-639-8

CODE: (SP)

DATE: 10/28/2014

SUBJECT: Traffic Signal and ITS Equipment Poles

Section 639, Traffic Signal Equipment Poles, of the 2004 Edition of the Mississippi Standard Specifications for Road and Bridge Construction is hereby deleted and replaced as follows.

## **SECTION 907-639 - TRAFFIC SIGNAL AND ITS EQUIPMENT POLES**

**907-639.01--Description.** This work consists of furnishing all component materials required to form completed independent signal equipment poles and extensions of the types specified and assembling, constructing, erecting and installing same in conformity with these specifications to ensure support poles in accordance with the design(s) and at the lines and grades shown on the plans or as directed.

This work also consists of furnishing and installing support poles and foundations for Intelligent Transportation Systems (ITS) equipment. This work shall consist of assembling, constructing, erecting and installing ground mounted equipment poles with foundations, and equipment poles attached to existing or proposed structures, in conformity with these specifications and in accordance with the design(s) shown on the plans or as directed.

**907-639.02--Materials.** The materials used in this construction shall conform with the general requirements of these specifications and the specific requirements set out herein.

### **907-639.02.1--Poles.**

**907-639.02.1.1--Traffic Signal Poles.** Traffic signal poles shall meet the requirements of Subsection 722.02. The traffic signal equipment pole shaft extension shall meet the requirements of the plan.

**907-639.02.1.2--Galvanized Steel Poles for Cameras.** Ground mounted camera poles and foundations, conduits, connections, clamps, anchor bolts, shoe bases and all other members shall be designed and fabricated in accordance with the standards and requirements listed below. Design and materials documentation shall be furnished as part of the approval request submittal. Certifications will be furnished upon request by the Engineer.

- 1) Poles shall be designed in accordance with the AASHTO “Standard Specifications for Structural Supports for Highway Signs, Luminaries and Traffic Signals”, current edition, including all interims and updates. Design life shall be 50 years for all poles. The design wind speed for all parts of the structure shall be as shown in the design specifications with a minimum of 90 mph. For projects that are in areas with higher wind standards, the higher standard shall be used. The pole shall meet design wind loading with camera(s) installed.

- 2) The Contractor shall submit manufacturer's shop drawings, layout drawings and specifications for equipment and appurtenances for approval by the Engineer no later than ninety (90) days after notice to proceed.
- 3) Pole fabricator shall be certified under Category I, "Conventional Steel Structures" as set forth by the American Institute of Steel Construction Quality Certification Program. Proof of this certification will be required.
- 4) All welding shall be in accordance with Sections 1 through 8 of the American Welding Society (AWS) DI. 1 Structural Welding Code. Tackers and welders shall be qualified in accordance with the American Welding Society Structural Welding code. Tube longitudinal seam welds shall be free of cracks and excessive undercut, performed with automatic processes, and be visually inspected. Longitudinal welds suspected to contain defects shall be magnetic particle inspected. All circumferential butt welded pole and arm splices shall be ultrasonically and radio graphically inspected. All inspection records will be furnished to the Engineer.
- 5) Camera pole system shall consist of a pole, anchor bolts, base plate, ground rod array, communication and power conduits to nearest pull box, grounding conduit, spare conduit and foundation.
- 6) Design computations for the camera poles shall be complete and shall include but not be limited to the following:
  - Consideration shall be given for all parts of the structure.
  - Consideration shall be given for all possible loading combinations including wind and ice loads.
  - Computations shall include design stresses and allowable stresses for all components which comprise the proposed structure.
  - Top of pole deflection shall not exceed 1-inch deflection from center due to 30 mph (non-gust) winds for the 50-foot poles.
  - All complete shop drawings and design computations shall bear the stamp of a Professional Engineer registered in the State of Mississippi.
  - Shop drawings shall be approved by the Engineer prior to fabrication. Approval of the shop drawings does not relieve the Contractor of responsibility for the design, fabrication and erection of the structure.
  - The Engineer reserves the right to reject a pole design if the calculated deflection exceeds that specified herein.
  - The foundation design shall be based on actual soil conditions from soil borings conducted by the Contractor. The cost of the soil borings shall be included in the cost of the pole.
  - The calculations shall include a pole, base plate, and anchor bolt analysis. The pole calculations shall be analyzed at the pole base, 5-foot pole intervals, and at each slip joint splice.
- 7) For each pole shown in the Plans, the following information shall be given:
  - Top/bottom diameter, taper rate, wall thickness, section modulus, moment of inertia, and cross sectional area for each pole section.
  - The centroid, weight, projected area, drag coefficient, velocity pressure, and wind force of each trapezoidal pole section.

- The axial force, shear force, primary moment, total moment, axial stress, bending stress, allowable axial stress, allowable bending stress, allowable shear stress and combined stress ratio (CSR) at each pole section.
  - The pole's angular and linear deflection at each section.
- 8) Pole Mounted Cabinet Access Conduit Nipple:
- Each pole will be manufactured with a 2-inch diameter rigid threaded nipple for conduit connection to a pole-mounted cabinet.
  - The height of this nipple above the base of the pole shall be such that a cabinet mounting height of three (3) feet above ground can be provided.
- 9) Hand Holes:
- Hand hole openings shall be reinforced with 2-inch wide hot rolled steel bar. The opening shall be rectangular and 5" x 8" nominal.
  - The cover shall be 11-gauge steel and shall be secured to a clip-on lock with a tamper-proof screw.
  - The reinforcing rim shall be provided with a ½-inch tapped hole and ½-inch hex head cap screw for grounding.
  - Hand holes on poles with pole-mounted cabinets and transformers shall be placed toward oncoming traffic. For all other poles, hand holes shall face away from traffic.
  - Section at hand hole to be reinforced to have equivalent section modulus as the section without the hand hole.
- 10) Cable Supports (J-Hooks & Eyelets): Top and bottom J-hooks and eyelets shall be located within the pole directly aligned with each other.
- 11) Base Plate:
- Base plates shall conform to ASTM A572 (50 ksi min. yield).
  - Plates shall be integrally welded to the tubes with a telescopic welded joint or a full penetration butt weld with backup bar.
  - Plates shall be hot dip galvanized.
- 12) Anchor Bolts:
- Anchor bolts shall conform to the requirements of AASHTO M314-90 (105 ksi min. yield.) The upper 12 inches of the bolts shall be hot dip galvanized per ASTM A153.
  - Each anchor bolt shall be supplied with two (2) hex nuts and two (2) hardened washers.
  - The strength of the nuts shall equal or exceed the proof load of the bolts.
  - The top nut shall be torqued so as to produce 60% yield stress of anchor bolt.
  - The Contractor shall not grout between bottom of base plate and top of concrete foundation.
- 13) Pole heights shall be as indicated on the plans.

**907-639.02.1.3--Galvanized Steel Poles for Detectors.** Ground mounted detector poles and foundations, conduits, connections, clamps, anchor bolts, shoe bases and all other members shall be designed and fabricated in accordance with the standards and requirements listed below. Design and materials documentation shall be furnished as part of the approval request submittal. Certifications will be furnished upon request by the Engineer.

- 1) Poles shall be designed in accordance with the AASHTO "Standard Specifications for Structural Supports for Highway Signs, Luminaries and Traffic Signals", current edition,

including all interims and updates. Design life shall be 50 years for all poles. Poles shall be designed to withstand the specified forces including those produced by a 100 mph wind with a 1.14 gust effect factor.

- 2) The Contractor shall submit manufacturer's shop drawings, layout drawings and specifications for equipment and appurtenances for approval by the Engineer no later than ninety (90) days after notice to proceed.
- 3) Pole fabricator shall be certified under Category I, "Conventional Steel Structures" as set forth by the American Institute of Steel Construction Quality Certification Program. Proof of this certification will be required.
- 4) Poles shall be formed from a single sheet of hot rolled weldable grade steel, galvanized in accordance with ASTM Designation: A 123. Unless otherwise noted on the plans, poles shall be made from steel meeting the requirements of ASTM Designation: A 572 Grade 55, or A 595 Grade A. Minimum yield strength shall be 48,000 psi after fabrication. Design wind loading shall be as indicated on the plans. The pole shall meet design wind loading with detector(s) installed.
- 5) Poles shall have a constant taper of 0.14 inch nominal per foot.
- 6) All poles shall be equipped with a breakaway device which conforms to the latest AASHTO and FHWA requirements, which have been approved by same. The Contractor shall submit a manufacturer's certification with the pole shop plans stating that the device meets, or exceeds, these standards.
- 7) Pole heights shall be as indicated on the plans.
- 8) Detector pole system shall consist of, but not be limited to a pole, anchor bolts, breakaway base, base plate, ground rod array, communication and power conduit to nearest pull box, grounding conduit, spare conduit and foundation as shown on the Plans.
- 9) Anchor bolts, washers and hex nuts shall be made of steel in accordance with ASTM Designation: F 1554, Grade 55, and shall be galvanized as per ASTM Designation: A 153. Anchor bolts shall be provided for each pole with two (2) hex nuts and washers per bolt. Anchor bolts shall be "L" shaped; minimum yield strength shall be 50,000 psi. A bolt layout template shall be provided by the manufacturer for proper bolt installation. The number of anchor bolts and design yield strength shall be as recommended by the manufacturer.

**907-639.02.1.4--Aluminum Poles for Detectors.** Ground mounted detector poles and foundations, conduits, connections, clamps, anchor bolts, breakaway bases and all other members shall be designed and fabricated in accordance with the standards and requirements listed below. Design and materials documentation shall be furnished as part of the approval request submittal. Certifications will be furnished upon request by the Engineer.

- 1) Poles shall be designed in accordance with the AASHTO "Standard Specifications for Structural Supports for Highway Signs, Luminaries and Traffic Signals", current edition, including all interims and updates. Design life shall be 50 years for all poles. The design wind speed for all parts of the structure shall be as shown in the design specifications with a minimum of 90 mph. The pole shall meet design wind loading with detector(s) installed.
- 2) The Contractor shall submit manufacturer's shop drawings, layout drawings and specifications for equipment and appurtenances for approval by the Engineer no later than ninety (90) days after notice to proceed.

- 3) Poles shall be spun or formed from aluminum seamless tubing meeting requirements of ASTM Designation: B 210, Alloy 6063-T4 and after fabrication shall have mechanical properties not less than those specified for Alloy 6063-T6. The poles may also be formed from aluminum plates or sheets meeting the requirements of ASTM Designation: B 209, Alloys 5052-H34 or 5086-H34.
- 4) External surface of poles shall have a satin-type finish, clean and smooth, with all details defined and true to pattern.
- 5) Poles shall have a constant taper of 0.14 inch nominal per foot.
- 6) All poles shall be equipped with a breakaway device which conforms to the latest AASHTO and FHWA requirements, which have been approved by same. The Contractor shall submit a manufacturer's certification with the pole shop plans stating that the device meets, or exceeds, these standards.
- 7) Pole heights shall be as indicated on the plans.
- 8) Detector pole system shall consist of, but not be limited to a pole, anchor bolts, breakaway base, base plate, ground rod array, communication and power conduit to nearest pull box, grounding conduit, spare conduit and foundation as shown on the Plans.
- 9) Anchor bolts, washers and hex nuts shall be made of steel in accordance with ASTM Designation: F 1554, Grade 55, and shall be galvanized as per ASTM Designation: A 153. Anchor bolts shall be provided for each pole with two (2) hex nuts and washers per bolt. Anchor bolts shall be "L" shaped; minimum yield strength shall be 50,000 psi. A bolt layout template shall be provided by the manufacturer for proper bolt installation. The number of anchor bolts and design yield strength shall be as recommended by the manufacturer.

**907-639.02.1.5--Structure-Mounted ITS Equipment Poles.** Structure-mounted equipment poles and conduits, connections, clamps, mounting hardware and all other members shall be designed and fabricated in accordance with the standards and requirements listed below. Design and materials documentation shall be furnished as part of the approval request submittal. Certifications will be furnished upon request by the Engineer.

- 1) Poles shall be designed in accordance with the AASHTO "Standard Specifications for Structural Supports for Highway Signs, Luminaries and Traffic Signals", current edition, including all interims and updates. Design life shall be 50 years for all poles. The design wind speed for all parts of the structure shall be as shown in the design specifications with a minimum of 90 mph. For projects that are in areas with higher wind standards, the higher standard is required. The pole shall meet design wind loading with all equipment installed.
- 2) The Contractor shall submit manufacturer's shop drawings, layout drawings and specifications for equipment and appurtenances for approval by the Engineer no later than ninety (90) days after notice to proceed.
- 3) Pole fabricator shall be certified under Category I, "Conventional Steel Structures" as set forth by the American Institute of Steel Construction Quality Certification Program. Proof of this certification will be required.
- 4) All welding shall be in accordance with Sections 1 through 8 of the American Welding Society (AWS) DI. 1 Structural Welding Code. Tackers and welders shall be qualified in accordance with the American Welding Society Structural Welding code. Tube longitudinal seam welds shall be free of cracks and excessive undercut, performed with

automatic processes, and be visually inspected. Longitudinal welds suspected to contain defects shall be magnetic particle inspected. All circumferential butt welded pole and arm splices shall be ultrasonically and radio graphically inspected. All inspection records will be furnished to the Engineer.

- 5) ITS equipment pole system shall consist of a pole, connectors, clamps, mounting hardware, ground wires and rods, grounding conduit, and communication and power conduits to nearest pull box.
- 6) Design computations for structure-mounted poles shall be complete and shall include but not be limited to the following:
  - Consideration shall be given for all parts of the structure.
  - Consideration shall be given for all possible loading combinations including wind and ice loads.
  - Computations shall include design stresses and allowable stresses for all components which comprise the proposed structure.
  - Top of pole deflection shall not exceed 1-inch deflection from center (2-inch deflection diameter) due to 30 mph (non-gust) winds.
  - All complete shop drawings and design computations shall bear the stamp of a Professional Engineer registered in the State of Mississippi.
  - Shop drawings shall be approved by the Engineer prior to fabrication. Approval of the shop drawings does not relieve the Contractor of responsibility for the design, fabrication and erection of the structure.
  - The Engineer reserves the right to reject a pole design if the calculated deflection exceeds that specified herein.
  - The calculations shall include a pole, base plate, and anchor bolt analysis. The pole calculations shall be analyzed at the pole base, 5-foot pole intervals, and at each slip joint splice.
- 7) For each pole shown in the Plans, the following information shall be given:
  - Top/bottom diameter, taper rate, wall thickness, section modulus, moment of inertia, and cross sectional area for each pole section.
  - The centroid, weight, projected area, drag coefficient, velocity pressure, and wind force of each trapezoidal pole section.
  - The axial force, shear force, primary moment, total moment, axial stress, bending stress, allowable axial stress, allowable bending stress, allowable shear stress and combined stress ratio (CSR) at each pole section.
  - The pole's angular and linear deflection at each section.
- 8) Hand Holes:
  - Hand hole openings shall be reinforced with 2-inch wide hot rolled steel bar. The opening shall be rectangular and 5" x 8" nominal.
  - The cover shall be 11-gauge steel and shall be secured to a clip-on lock with a tamper-proof screw.
  - The reinforcing rim shall be provided with a ½-inch tapped hole and ½-inch hex head cap screw for grounding.
  - Section at hand hole to be reinforced to have equivalent section modulus as the section without the hand hole.

- 9) Cable Supports (J-Hooks & Eyelets): Top and bottom J-hooks and eyelets shall be located within the pole directly aligned with each other.
- 10) Pole heights shall be as indicated on the plans.

**907-639.02.2--Traffic Signal Mast Arms.** Traffic signal mast arms and mast arm extensions shall be steel meeting the requirements of Subsection 722.16.

**907-639.02.3--Foundations.**

**907-639.02.3.1--Foundations for Traffic Signal Poles.** Cast-in-place foundations for concrete, steel, and/or aluminum shafts shall be as specified on plans, and shall be cast of reinforced Class "B" Concrete conforming to the requirements of Sections 601 and 602. Anchor bolts, washers, and hexagon bolts for use in the foundation shall conform to Subsections 722.11 and 722.12. The anchor bolt shall be galvanized only through the threaded section and a minimum of six inches below the top of the concrete foundation. The foundation bolts shall be set in the concrete foundation to fit the bolt circle of each type of pole. Conduit for electric cable shall comply with the requirements for such materials as set out in Subsection 722.05.

**907-639.02.3.2--Foundations for ITS Poles.** Cast-in-place foundations for ground mounted equipment poles shall be Contractor Designed in accordance with this specification and the plans. It shall be cast with reinforced Class "B" Concrete conforming to the requirements of Sections 601 and 602. Anchor bolts, washers and hex nuts for use in the foundation shall conform to requirements set forth in these specifications. Conduit for electric cable and fiber optic cable shall comply with the requirements for such materials as set out in Subsection 722.05.

**907-639.03--Construction Requirements.**

**907-639.03.1--Installation of ITS Equipment.** All equipment shall be installed according to the manufacturer's recommendations. Materials and associated accessories/adapters shall not be applied contrary to the manufacturer's recommendations and standard practices. ITS equipment pole systems shall be installed as indicated on the Plans and shall conform to the following requirements:

- 1) All poles shall be installed in accordance with the National Electric Safety Code and the latest AASHTO standards.
- 2) Foundations for ground mounted poles:
  - The Contractor shall submit a design for each pole foundation that has been sealed by a Professional Engineer registered in the State of Mississippi.
  - Excavation for concrete foundations shall be opened vertically in accordance with the methods of Section 206 with a tolerance of plus two inches from neat lines and grades as shown on the Plans or required by local conditions. Adjacent earth shall be compacted sufficiently to withstand the loadings set out in Subsections 907-639.02.1 and 907-639.02.2.



- If soil conditions require the use of any shoring, casings, or sonotube for proper installation of the foundations, the cost of the shoring, casings or sonotube shall be included in the cost of the pole and foundation.
  - Before placing concrete, the Contractor shall place reinforcing bars, conduit and anchor bolts, all in accordance with plan details, and held rigidly in place by approved methods.
  - Concrete foundations shall be formed, cast and cured in accordance with the provisions of Section 601. The top surface shall be finished smooth, and sloped to drain.
  - Concrete shall cure a minimum of seven (7) days before any load is applied to the foundation.
  - Conduit shall be installed in the pole foundation for access and includes conduit to the nearest pull box as shown in the Plans.
  - A minimum of one 2-inch spare conduit shall be installed in all pole foundations as shown in the Plans. Spare conduits in pole foundations shall be sealed with blank duct plugs.
- 3) Grounding System:
- The Contractor shall supply and install a grounding system with ground rod array at the base of all poles as shown on the Plans.
  - The ground rod array system shall be connected to the pole through an appropriate ground clamp.
  - A #6 AWG copper stranded bonding wire shall be installed between the pole and the field cabinet providing a common ground system for each site.
  - All ground bonding wires shall be un-spliced.
- 4) The installation method for the CCTV poles and cameras shall be such that the camera can be rotated as needed around the pole for optimum placement.

**907-639.03.2--Foundations.** In some instances, it may be necessary to use slip casing to keep the foundation holes open. Casing may be required in portions of the holes that are not stable. Casings authorized by the Engineer shall be of suitable size and strength to accommodate the drilling equipment and to withstand ground-pressures and removal operations without deformation of the poured shaft. When removed, the casings shall revert to the Contractor for disposal.

Due to the soil conditions in certain areas, the plans may indicate locations where the concrete shall be placed with a tremie. When a tremie is used, it shall perform in accordance with the requirements in Subsection 907-804.03.9 of the Standard Specifications.

**907-639.03.2.1--Foundations for Traffic Signal Poles.** Excavation for concrete foundations or butts shall be opened vertically in accordance with the methods of Section 801 with a tolerance of plus two inches from neat lines and grades as shown on the plans or required by local conditions. Adjacent earth shall be compacted sufficiently to withstand the loadings set out under Subsection 722.02.1.3. Before placing concrete, the Contractor shall place reinforcing bars, conduit and anchor bolts, all in accordance with plan details, and held rigidly in place by approved methods. Concrete foundations shall be formed, cast and cured in accordance with the provisions of Section 601. The top surface shall be finished smooth, and sloped to drain.

**907-639.03.2--Foundations for Ground Mounted ITS Poles.** Pole foundations shall be constructed as per the details on the plans, these specifications, and Section 803 of the Standard Specifications. Casings, if required, will be in accordance with Section 803 of the Standard Specifications.

**907-639.03.3--Setting and Aligning Traffic Signal Poles.** Traffic signal poles anchored to the concrete foundation or with precast butts shall have sufficient rake so as to assume a vertical position when the load is applied. Poles with precast butt shall be wet-tamped in place with crushed aggregate, concrete or satisfactory cement stabilized soil, as directed. Poles set on concrete foundations may use leveling nuts to align poles. After alignment of pole on the concrete foundation is completed, the entire area between the bottom of the pole and the top of the concrete foundation shall be filled with grout meeting the requirements of Subsection 714.11. Careful aligning of the poles shall be considered a most essential feature of the installation of the assembly and shall be as nearly perfect as practicable.

**907-639.04--Method of Measurement.** Traffic signal equipment pole of the type specified will be measured as a unit quantity per each, which measurement shall include the pole, mast arms and all other incidentals necessary to complete the equipment pole.

Traffic signal equipment pole shaft extension of the type specified will be measured as a unit quantity per each, which measurements shall include the pole attachment, shaft, and all other mounting attachments necessary to extend a shaft as required in the plans.

Traffic signal equipment pole mast arm extension, as indicated, will be measured as a unit quantity per each, which measurements shall include the mast arm extension and all other mounting attachments necessary to extend the arm as indicated.

Traffic signal pole foundations of the size specified will be measured by the cubic yard, which measurement shall be the area bounded by the vertical planes of the neat lines of the foundation.

Camera pole with foundation and detector pole with foundation will be measured as a unit quantity per each. No separate payment will be made for camera and detector pole foundations. Measurement for progress payments for camera and detector poles may be made as follows.

- 1) 25% of the contract unit price upon complete installation of foundations;
- 2) Additional 45% of the contract unit price upon delivery of poles or structure to the site; and
- 3) Final 30% of the contract unit price upon complete installation of pole system

Structure-mounted equipment pole will be measured as a unit quantity per each. Measurement for progress payments for Structure-mounted equipment pole may be made as follows.

- 1) 70% of the contract unit price upon delivery of poles or structure to the site; and
- 2) Final 30% of the contract unit price upon complete installation of pole system

Slip casings of the size specified will be measured by the linear foot from the ground elevation to the bottom of the strata needing to be cased.

**907-639.05--Basis of Payment.** Traffic signal equipment pole and traffic signal equipment pole extension of the type specified, measured as provided in above, will be paid for at the contract unit price per each, which price shall be full compensation for furnishing all materials, erecting, installing, connecting and testing poles, pole bases, mast arms, caps, covers, ground wire, ground rods, hardware and for all equipment, tools, labor and incidentals necessary to complete the equipment pole.

Traffic signal equipment pole mast arm extension, measured as provided above, will be paid for at the contract unit price per each, which price shall be full compensation for furnishing all materials, for installing the mast arm extension and for all equipment, tools, labor, and incidentals necessary to complete the work.

Traffic signal pole foundations, measured as prescribed above, will be paid for at the contract unit price per cubic yard, which price shall include full compensation for structure excavation, reinforcing steel, anchor bolts; for placing, curing, and installing concrete; for replacing sod and final clean-up; and for all equipment, labor, tools and incidentals necessary to complete the foundation.

Camera pole with foundation and detector pole with foundation, measured as prescribed above, will be paid for at the contract unit price per each, which price shall be full compensation for furnishing all materials, for excavating, backfilling, replacing sod, and for all constructing, placing, curing, erecting, installing, connecting and testing; for foundations, poles, pole bases, conduit inside foundation and to nearest pull box as indicated on the Plans, wiring between camera and field cabinet, connections to support structures, caps, covers, ground wire, ground rods, hardware and for all equipment, tools, labor and incidentals necessary to complete the work, including remote and local control of the camera site complete in place and ready for use.

Structure-mounted equipment pole, measured as prescribed above, will be paid for at the contract unit price per each, which price shall be full compensation for furnishing all materials, for all constructing, placing, erecting, installing, connecting and testing, for poles, conduit between structure attachment location and nearest pull box as indicated on the Plans; wiring between pole-mounted devices and field cabinet; all structure-mounting hardware indicated on the Plans, caps, covers, ground wire, ground rods, hardware and for all equipment, tools, labor and incidentals necessary to complete the work, including remote and local control of the camera site complete in place and ready for use.

No separate payment will be made for camera and detector pole foundations.

Slip casings, measured as prescribed above, will be paid for at the contract price per linear foot, which price shall be full compensation for all materials, tools, equipment, labor, and incidentals necessary to complete to work.

Payment will be made under:

- 907-639-A: Traffic Signal Equipment Pole, Type \_\_\_\_\_ - per each
- 907-639-B: Traffic Signal Equipment Pole Shaft Extension \* - per each
- 907-639-C: Pole Foundations, \_\_\_\_ Diameter - per cubic yard
- 907-639-D: Slip Casing, \_\_\_\_ Diameter - per linear foot
- 907-639-E: Camera Pole with Foundation, \_\_\_\_' Pole - per each
- 907-639-F: Detector Pole with Foundation, \_\_\_\_' Pole - per each
- 907-639-G: Traffic Signal Equipment Pole Mast Arm Extension \* - per each
- 907-639-H: ITS Equipment Pole, Structure Mounted, \_\_\_\_' Pole - per each

\* Additional information may be indicated

**MISSISSIPPI DEPARTMENT OF TRANSPORTATION**

**SPECIAL PROVISION NO. 907-642-2**

**CODE: (SP)**

**DATE: 08/24/2007**

**SUBJECT: Solid State Traffic Actuated Controllers**

Section 642, Solid State Traffic Actuated Controllers, of the 2004 Edition of the Mississippi Standard Specifications for Road and Bridge Construction is hereby amended as follows:

**907-642.01--Description.** After the first paragraph of Subsection 642.01 on page 484, add the following:

This work also includes making modifications to a solid state traffic actuated signal controller(s) in accordance with the plans and contract documents.

**907-642.04--Method of Measurement.** After the first paragraph of Subsection 642.04 on page 506, add the following:

Solid state traffic actuated signal controller modifications, complete in place and accepted, will be measured as unit quantities per each for a complete and operable unit in accordance with the contract provisions.

**907-642.05--Basis of Payment.** After the first paragraph of Subsection 642.05 on page 506, add the following:

Solid state traffic actuated controller assemblies, measured as prescribed above, will be paid for at the contract unit price bid per each; which price shall be full compensation for any foundation construction, cabinets, relays, terminals, circuit breakers, controller units and conflict monitors, any communications devices and/or video facilities, connectors, load switches, mounting material, all other materials for constructing, installing, connecting, testing and final cleanup; and for all equipment, labor, tools and incidentals necessary to complete the work in accordance with the contract documents.

Add the last pay item listed on page 506, add the following:

907-642-B: Solid State Traffic Actuated Controller Modification, \* - per each

\* Optional Supplemental Description

# MISSISSIPPI DEPARTMENT OF TRANSPORTATION

**SPECIAL PROVISION NO. 907-648-6**

**CODE: (SP)**

**DATE: 08/12/2015**

**SUBJECT: Radio Interconnect System**

**PROJECT: CM-0017-00(041) / 106852301 -- Desoto County**

Section 648, Radio Interconnect, of the 2004 Edition of the Mississippi Standard Specifications for Road and Bridge Construction is hereby deleted and replaced as follows.

## **SECTION 907-648 –Radio Interconnect System**

**907-648.01--Description.** This section describes the Radio Interconnect Systems and specifies the minimum technical requirements for Radio Interconnect system devices furnished, installed, integrated, and tested at locations designated on the plans.

**907-648.02--Materials.** The Contractor shall provide a functional wireless system in accordance with any applicable FCC and FAA rules and regulations. The Contractor shall be responsible for supplying all equipment needed for a 100% functional wireless system capable of providing video, data, or both to each of the sites encompassed in the project. The Contractor shall ensure that each site location's wireless link has sufficient bandwidth for all devices to communicate properly across the network. The wireless link shall support the minimum bandwidth requirements with a 99.99% reliability factor. The Contractor shall be responsible for providing all equipment needed to connect to the existing MDOT Wireless Network. All components provided in this project must be 100% compatible with the existing Wireless Network (where applicable) and provide the same features, specifications, bandwidth, and capabilities unless specifically stated otherwise.

The wireless system shall include wireless communications devices that are inclusive of the following types: Signal Control, Broadband Type Short Range, Broadband Type Long Range, Television Broadcast Radio (TVBR) Type Short Range, TVBR Type Long Range. Each Type shall be capable of meeting all requirements as identified in this specification except broadband Type Long Range shall be capable of meeting all performance requirements for line-of-sight (LOS) wireless link distances of 10 miles or greater. Broadband Type Short Range shall be capable of meeting all performance requirements for LOS wireless link distances of up to 10 miles. TVBR Type Long Range shall be capable of meeting all performance requirements for non-line-of-sight (NLOS) wireless link distances of two (2) miles or greater. TVBR Type Short Range shall be capable of meeting all performance requirements for wireless link distances of up to two (2) miles. The Contractor shall provide all elements necessary to provide a functional system including radios, antennas, coaxial cable and connectors, lightning suppressors, mounting and grounding hardware, and any other equipment, hardware, enclosures and cabling required to make a complete and fully functional system.

**907-648.02.1--General Requirements.** Unless specified otherwise in preceding sections, the radio interconnect systems discussed herein shall adhere to the following minimum technical

requirements for Radio Interconnect System devices.

All furnished equipment shall be new, environmentally hardened, and capable of optimal operation in all weather conditions as applicable to Mississippi.

The Contractor shall test all radio hardware and required equipment necessary to provide a complete and fully operational system at no additional cost to MDOT.

The Contractor shall conduct site evaluation, path analysis, obtain and reserve necessary frequencies, and apply for all required licenses by the FCC. The Contractor shall also meet the requirements for filing with the Federal Aviation Administration for proposed structures, which are based on a number of factors: mounting height, proximity to an airport, location, and frequencies emitted from the structures, etc. as described in CFR Title 14 Part 77.9. The charges and fees incurred while applying for and obtaining licenses are included in the pay items outlined in this specification and will not be paid for separately.

The wireless communication equipment shall be fully interchangeable by radio frequency, radio type and compatible with the existing network to transmit all data from field devices across the MDOT wireless network to communications towers (where applicable), hubs, and/or nodes to be transmitted to the MDOT ITS network by way of existing network equipment.

The wireless radio equipment shall be configured for minimal noise and interference as determined by project location and the manufacturer's equipment specifications and include the required channel(s) to communicate with radios of the same type and operating as designed.

The Mean Time Between Failures (MTBF) shall be at least 87,658. If the radio system has not been manufactured long enough to validate the corresponding MTBF then the Contractor may present the MTBF from a radio system of similar type for approval by MDOT. The Contractor must first request approval by MDOT to permit the submittal of MTBF specifications of an approved radio system.

The minimum bandwidth provided per each individual link shall be the cumulative minimum bandwidth of each device type and number of each per device utilizing that link according to the following table of min bandwidth requirements.

<u>Device Type</u>	<u>Min Bandwidth per Device</u>
CCTV PTZ	512 kbps
CCTV Fixed	256 kbps
DMS	128 kbps
Detection	256 kbps

Radio Interconnect System General Equipment Requirements are as follows:

- 1) Network Features
  - a. 802.3i 10 Mbps Ethernet.
  - b. 802.3u 100 Mbps Ethernet with auto-negotiation.

- c. Network topology: Point-to-Point (PTP) and Point-to-Multipoint.
- d. The RF network latency shall not exceed 15ms between each transmitting and receiving device.
- e. The wireless radio shall be analogous to a Layer 2 device by operating similar to a switch or bridge device. The wireless radio shall be capable of connecting to the MDOT network via an RJ-45 port.
- f. The wireless radios shall be fully interchangeable and compatible with the existing wireless devices operating on the same frequency and of the same type.

2) Management

- a. Local management interface via RS-232, RS-422/485, or RJ45.
- b. Remote Management ,i.e., HTTP, SSH, Telnet, SNMP, TFTP, or CLI.
- c. Web-based Management (HTML) shall have Web GUI.
  - i. The web-based management shall be password protected management software allowing remote configuration.

3) Power Requirements

- a. The wireless radios may transmit/receive data and receive power via Ethernet cable by PoE. PoE devices adhering to the alternative A/B standards for PoE are recommended. For proprietary PoE devices, the Contractor is responsible for ensuring that these devices are not connected to IEEE standard PoE switches or vice versa as this may result in damage to the device and/or switch.
- b. Output Voltage: voltage and power ratings shall adhere to 802.3af or 802.3at for devices conforming to the IEEE standards.

4) Environmental Requirements

- a. Radio interconnect field equipment shall be fully operational in all-weather conditions occurring in Mississippi.
- b. Relative humidity 95% non-condensing.
- c. Weather, Water, & Dust Proof, e.g., IP-66/IP-67.
- d. Operating temperature shall exceed the range from -35 °F to 135 °F

**907-648.02.2--Radio Interconnect System, Signal Control.** The radio interconnect system, signal control shall provide communications between the master and the local intersections by RF data link. The radio shall operate in the 900 MHz data frequency bands. Each local intersection shall have a transceiver, power supply and an antenna. A transceiver shall be provided at the master location. The Signal Control Radio Interconnect System is not subject to the requirements outlined in section 907-648.02.1 Radio Interconnect System General Equipment Requirements.

**907-648.02.2.1--Specific Requirements.**

**907-648.02.2.2--Antennas.** Two (2) antennas will be required at repeater stations, one for each radio. Measures shall be taken to minimize the chance of interference between these antennas.

**648.02.2.3--Interface Wiring.** A null modem cable shall be required between the Data Interface connectors of the two radios forming a repeater station, allowing radios to exchange data even though they are both configured as Data Circuit Termination Equipment (DCE) devices.

**648.02.3--Radio Interconnect System, Broadband.** The radio interconnect system, broadband,



shall be a licensed or unlicensed wireless communication device, capable of transmitting and receiving broadband wireless communication at distances as directed by the ITS Engineer. The Contractor shall be responsible for determining the most optimal frequency range to furnish radios that will provide wireless links with sufficient bandwidth for all devices to communicate properly across the network. When expanding the wireless link of an existing system, the Contractor shall ensure the frequency of the new equipment is compatible with the existing system. The radio system shall be used to connect ITS device sites and Traffic signal systems to the existing MDOT ITS network as described in project plans. The broadband wireless communication system shall be furnished with all necessary hardware and software to include radios, repeaters, antennas, cable, surge protection and connectors in accordance with the plans and specifications to establish stable wireless communication channel(s) between two (2) or more Loss of Service (LOS)/partial LOS devices setup in point-to-point or point-to-multipoint configurations. The broadband radio interconnect requirements shall be as follows:

- 1) The broadband radios furnished and installed shall meet all regulations set forth by the FCC part 15 of the FCC rules.
- 2) Short range broadband radios shall be capable of transmitting a minimum of 10 miles with no degradation of signal due to line of sight or interference issues.
- 3) Long range broadband radios shall be capable of transmitting at distances exceeding 10 miles.
- 4) The short range and long range broadband radios shall provide reliable communication and sufficient bandwidth (i.e., greater than the cumulative minimum bandwidth of each device that will utilize the link) for all devices utilizing the wireless link(s).
- 5) The Contractor may propose the use of multiband (dual band, tri band, etc.) radios using licensed 4.9 GHz and unlicensed 5.8 GHz and 2.4 GHz bands if bandwidth requirements and path interference warrants the use of such radios, and if approved by the Project Engineer.

**648.02.4--Radio Interconnect System, Television Broadcast Radio (TVBR).** TVBRs are unlicensed radios designed to produce, transmit, and/or receive radio communication signals at select geographical locations. These radios transmit on available channels in the broadcast television frequency band. The TVBRs shall be proposed on project plans and drawings in geographical locations lacking visual line-of-sight transmission between the proposed transmitting and receiving devices. These devices shall provide partial line-of-sight (LOS) and/or non-line-of-sight (NLOS) radio transmission to establish network communication in areas with obstacles obstructing LOS wireless communication.

The TVBRs operate under the Federal Communications Commission (FCC) approved white space TV band database. Each TVBR shall determine the available TV channels it can operate on before it will be functional for typical usage. The Contractor shall be responsible for determining the availability of TV bands in the geographical areas for all TVBRs proposed. The Contractor shall provide a list of available TV channels in the UHF frequency range to the Project Engineer, or approved designee. The Contractor shall not procure, purchase, furnish, or install TVBRs or any related equipment without the consent of the Project Engineer or the approved designee without first receiving confirmation from the Project Engineer or their

designee that he/she has verified the specified channels are available in all geographic location(s) for each proposed TVBR site.

**648.02.4.1--Specific Requirements.** The TVBR, type long range and short range, shall be capable of LOS, partial LOS, and NLOS wireless radio transmission. Each TVBR and antenna shall be pole mounted or mounted to an approved structure. The antenna shall be mounted in the immediate location of the TVBR to minimize attenuation due to cable length. The TVBR radio interconnect requirements shall be as follows.

- 1) The TVBR's procurement and installation shall meet all regulations set forth by the FCC 47 CFR 15 subpart H – Television Band Devices.
- 2) The TVBR's shall be capable of LOS and NLOS wireless transmission operating on the UHF TV band frequency range (470-698 MHz).
- 3) The Type Long Range TVBR shall be capable of communicating over wireless link distances exceeding two (2) miles. The bandwidth capacity shall exceed 25 Mbps provided LOS transmission and 5 Mbps provided NLOS transmission.
- 4) The Type Short Range TVBR shall be capable of communicating over wireless link distances up to two (2) miles. The bandwidth capacity shall exceed 3 Mbps provided LOS transmission and 1 Mbps for NLOS transmission.
- 5) The TVBR's transmit power shall not exceed 30 dBm for stable RF communication given the minimum distance and bandwidth requirements.
- 6) The RF network latency for Long Range TVBR shall not exceed 5ms between each transmitting and receiving device.
- 7) The MTBF shall be at least 43,829 hours for Type Short Range TVBR and 87,658 for Type Long Range TVBR. If the TVBR system has not been manufactured long enough to validate the corresponding MTBF, the Contractor may present the MTBF from a radio system of similar type for approval by MDOT. The Contractor shall first request approval by MDOT to permit the submittal of MTBF specifications of an approved radio system.

**648.03--Construction Requirements.** All equipment shall be installed according to the manufacturer's recommendations, the Plans, and as follows.

**648.03.1--Installation Services.** The Contractor shall prepare a comprehensive Network Design, Wireless Evaluation, and Installation Plan for the wireless network to document how it will be implemented and integrated with the existing system. All required Federal Communications Commission (FCC) and Federal Aviation Administration (FAA) applications and filings shall be prepared by the Contractor on behalf of MDOT, including any modifications to existing MDOT licenses. The Contractor shall submit a copy of the Network Design, Wireless Evaluation, Installation Plan, and copies of any FCC license applications to the MDOT Project Engineer. MDOT reserves the right to reject any network designs and installation plans submitted. If rejected, the Contractor will be responsible for submitting revised network design and/or installation plan.

The Contractor shall provide all labor, tools, materials, equipment, and transportation necessary to conduct and complete the Wireless Evaluation. The cost of the wireless evaluation and report shall be included in the contract unit price per the radio interconnect system pay items. The Wireless Evaluation report shall include:

- a. Line-of-site photographs taken at proposed sites. The photographs shall be taken at antenna height level.
- b. Identification of any wireless interference, line-of-sight concerns, or any other issues that would hinder the Contractor's ability to deliver a functional wireless link. The Contractor shall present alternative solutions if the throughput or any other requirements cannot be met.
- c. Planned wireless topology identifying point-to-point and point-to-multipoint radio groups.
- d. Frequency analysis, through a spectrum analysis at each site, and proposed frequency allocation.
- e. Radio test results for each communication link, including received signal strength, noise floor, and throughput results recorded using Iperf, or equivalent software.

The Contractor shall provide a written inventory of items received and the condition in which they were received. Inventory shall be inclusive of make, model, and serial numbers, MAC address, and installation GPS coordinates. All equipment shall be installed according to the manufacturer's recommendations or as directed by the MDOT.

Any new, additional or updated drivers required for the existing ATMS software to communicate and control new radio interconnects installed by Contractor shall be the responsibility of the Contractor.

**648.03.2--Testing.** The Contractor shall conduct a Project Testing Program as required below. All costs associated with the Project Testing Program shall be included in overall contract prices; no separate payment will be made for any testing.

**648.03.2.1--General Requirements.** The Project Engineer, ITS Engineer, and/or their designee(s) are only responsible for attending and observing each test, and reviewing and approving the Contractor's test results documentation. The Project Engineer, ITS Engineer, and/or their designee(s) reserve the right to attend and observe all tests. The Contractor shall perform the Standalone Acceptance Test (SAT) with the MDOT Project Engineer, ITS Engineer or his designee present.

Each test shall fully demonstrate that the equipment being tested is clearly and definitely in full compliance with all project requirements.

Test procedures shall be submitted and approved for each test as part of the project submittals. Test procedures shall include every action necessary to fully demonstrate that the equipment being tested is clearly and definitely in full compliance with all project requirements. Test procedures shall cross-reference to these Specifications or the Project Plans. Test procedures shall contain documentation regarding the equipment configurations and programming.

No testing shall be scheduled until approval of all project submittals and approval of the test procedures have been granted by MDOT.

The Contractor shall provide all ancillary equipment and materials as required in the approved test procedures.

The Contractor shall request in writing the Project Engineer's approval for each test occurrence a minimum of 14 calendar days prior to the requested test date. Test requests shall identify the test to be performed and the equipment to be tested. The Project Engineer reserves the right to reschedule test request if needed.

All tests shall be documented in writing by the Contractor in accordance with the test procedure and submit to the Project Engineer within seven (7) days after the completion of the test. Any given test session is considered incomplete until the Project Engineer has approved the documentation for the given test session.

All tests deemed by the Project Engineer to be unsatisfactory shall be repeated by the Contractor. When the Contractor requests a test occurrence that is a repeat of a previous test, the Contractor shall summarize the diagnosis and correction of each aspect of the previous test that was deemed unsatisfactory. The test procedures for a repeated test occurrence shall meet all the requirements of the original test procedures, including review and approval by the Project Engineer and ITS Manager or his designee.

The satisfactory completion of any test shall not relieve the Contractor of responsibility to provide a completely acceptable and operating system that meets all requirements of this project.

**648.03.2.2--Standalone Acceptance Test (SAT).** The Contractor shall perform a complete SAT on all equipment and materials associated with the field device site, including but not limited to electrical service, conduit, pull boxes, communication links, control cables, poles, etc. An SAT shall be conducted at every field device site.

The SAT shall demonstrate that all equipment and materials are in full compliance with all project requirements and fully functional as installed and in final configuration. The SAT shall also demonstrate full compliance with all operational and performance requirements of the project. All SATs will include a visual inspection of the cabinet and all construction elements at the site to ensure they are compliant with the specifications.

The SAT at each site for this project shall include testing from both the new device location as well as from the existing equipment location to demonstrate that the video and data is being transmitted to the existing equipment and that the new equipment is fully operational with the existing equipment.

**648.03.2.3--Local Ethernet System Testing.** Successful communications shall demonstrate, at minimum, the ability of a wireless transceiver to send video and an error-free data message to the receiving station and processed for viewing and confirmation. A minimum of 30 test transmissions shall be attempted at each test site. If a failure occurs at the locations selected, it will be the responsibility of the Contractor to re-check the test area to determine if a problem exists. When problem(s) occur, it will be the Contractor's responsibility to perform additional tests as required to define the cause of the problem and confirm the final working functionality. If areas of non-performance represent more than the Contractor's predicted link reliability, it will be the Contractor's responsibility to correct such problems at the sole expense of the Contractor.

Additional costs associated with the repeated tests will be the sole responsibility of the Contractor.

The Contractor shall prepare and execute a detailed system acceptance test plan, including detailed system acceptance test procedures. The Contractor shall submit a copy of all system acceptance test plans to the MDOT Project Engineer through the standard MDOT submittal process.

**648.03.3--Warranty.** The radio interconnect system shall be warranted to be free of manufacturer defects in materials and workmanship for a period of one (1) year from the date of final acceptance. Equipment covered by the manufacturer's warranties shall have the registration of that component placed in MDOT's name prior to Final Inspection. The Contractor is responsible for ensuring that the vendors and/or manufacturers supplying the components and providing the equipment warranties recognize MDOT as the original purchaser and owner/end user of the components from new. During the warranty period, the supplier shall repair or replace with new or refurbished material, at no additional cost to the State, any product containing a warranty defect, provided the product is returned postage-paid by the Department to the supplier's factory or authorized warranty site. Products repaired or replaced under warranty by the supplier shall be returned prepaid by the supplier.

During the warranty period, technical support shall be available via telephone within four (4) hours of the time a call is made by the Department, and this support shall be available from factory certified personnel. During the warranty period, updates and corrections to control unit software shall be made available to the Department by the supplier at no additional cost.

**648.04--Method of Measurement.** The radio interconnect system components, of the type specified, will be measured per each installation. Such measurement shall be inclusive of radio, software, base stations, power supply, antennas, cables and connectors, lightning suppressors, mounting and grounding hardware, enclosures, receivers, transceivers, and all other items necessary to complete the installation. The installation shall provide an appropriate RF data link that is fully integrated and operational with the existing system. Measurement shall also include all system documentation including shop drawings, operations and maintenance manuals, wiring diagrams, block diagrams, and other materials necessary to document the operation of the Wireless Radio Interconnect System. The price bid for the spare parts shall be measured per each and in accordance to the specifications and requirements.

Partial payments for the radio interconnect system(s) will be measured for payment per each as follows:

- 1) 80% of the contract unit price upon completion of the installation and any standalone acceptance testing, and
- 2) 20% of the contract unit price upon final system acceptance.

**907-648.05--Basis of Payment.** The radio interconnect system components, measured as prescribed above, will be paid for at the contract unit price per each, which price shall be full compensation for furnishing all materials; for all installing, connecting and testing; and for all equipment, labor, tools, and incidentals necessary to complete the work.

Payment will be made under:

- 907-648-A: Radio Interconnect, Signal Control, Installed in New Controller Cabinet - per each
- 907-648-B: Radio Interconnect, Signal Control, Installed in Existing Controller Cabinet - per each
- 907-648-C: Radio Interconnect, Signal Control Repeater - per each
- 907-648-D: Radio Interconnect, Broadband, \* - per each
- 907-648-E: Radio Interconnect, TVBR, \* - per each
- 907-648-F: Radio Interconnect, Spare Parts, Furnish Only - per each

\* Type – Long Range or Short Range

## MISSISSIPPI DEPARTMENT OF TRANSPORTATION

SPECIAL PROVISION NO. 907-650-9

CODE: (SP)

DATE: 07/13/2015

SUBJECT: On-Street Video Equipment

PROJECT: CM-0017-00(041) / 106852301 -- Desoto County

Section 650, On-Street Video Equipment, of the 2004 Edition of the Mississippi Standard Specifications for Road and Bridge Construction is deleted and replaced as follows.

**907-650.01--Description.** This work shall consist of providing all labor, materials, equipment, and incidentals necessary to furnish, install, test, train, and operate CCTV Camera Systems. CCTV Camera System shall be provided to provide TMC personnel with live streaming video of the roadway network via CCTV Camera Systems. CCTV Camera Systems include both fixed and PTZ cameras.

**907-650.02--Materials.** All materials furnished, assembled, fabricated or installed shall be new, corrosion resistant.

Support equipment for the CCTV Camera Systems shall be provided in a Type B ITS Equipment Cabinet as described in Section 637.

The CCTV Camera System shall comply with the following minimum materials specifications:

**907-650.02.1--General Capabilities and Performance Requirements.** Overall CCTV Camera System capabilities and performance requirements include the following:

- 1) CCTV PTZ Cameras shall be placed and installed at fixed locations to provide full coverage of the mainline travel lanes and shoulders.
- 2) CCTV Fixed Cameras shall be placed and installed at fixed locations to provide coverage of the mainline travel lanes. The cameras shall be provided with a varifocal lens which shall be adjusted by the Contractor for the desired view of the mainline. At major intersections fixed cameras shall also be adjusted to the desired view of the surface streets. The Contractor shall record the adjusted views and submit to the MDOT ITS Engineer or his designee for approval and the MDOT Project Engineer. This recording shall be in a format playable with Windows Media Player or pre approved by MDOT ITS Engineer.
- 3) The CCTV Camera System components shall be compatible with each other and be of rugged design and suitable for reliable operation when mounted in their fixed locations.
- 4) The PTZ and the Fixed cameras shall be provided as either Ethernet IP-based or Analog as indicated in either project plan sheets or Notice to Bidders or should be assumed Ethernet IP if description isn't provided.
- 5) The CCTV Camera System shall be capable of attended and unattended, continuous 24 hours per day operation at fixed sites.

- 6) The Contractor shall ensure that the installed equipment provides unobstructed video of the roadway, traffic, and other current conditions around a roadside CCTV field site; that it responds to camera control signals from an operator of the system; and that the video images can be transmitted to remote locations interfaced to the system for observation.
- 7) PTZ and IP based cameras shall be capable of being remotely controlled and programmed.
- 8) All PTZ enclosures shall be provided with the ability to be pressurized for environmental protection.
- 9) PTZ Dome type cameras shall be mounted together with the zoom lens and integrated into the pan and tilt device within the dome enclosure forming a totally integrated, easily removable assembly.
- 10) All cameras shall include a high quality integrated camera/lens combination.
- 11) The camera shall also be equipped with an auto-iris lens capability compatible with the zoom lens supplied.
- 12) Iris capability shall include a provision for manual override via software.
- 13) The PTZ camera shall be capable of auto-focus during zoom-in or zoom-out, with provisions for override via software.
- 14) Overexposure protection shall be provided - the camera shall not be degraded or damaged under normal reasonable operating conditions.
- 15) The capability for local control of pan, tilt and zoom functions shall be provided at the roadside cabinet using vendor-supplied software installed on a laptop computer.
- 16) All IP Based CCTV cameras shall support the NTCIP 1205 v1.08 or later version if backward compatible communication protocol.

**907-650.02.2--Analog Camera Unit.** The minimum Camera Unit requirements include:

- 1) The camera unit shall incorporate solid-state design and provide digital signal processing (DSP) capable of providing clear and low-bloom color video pictures during daylight hours and monochrome video at night when the roadway is illuminated with minimal roadway lighting.
- 2) The Analog Camera shall be fully compliant with all aspects of the National Television Standards Committee (NTSC) specification, and produce NTSC compatible video.
- 3) The Analog camera shall operate over wide dynamic light conditions ranging from low light/dusk to full sunlight having day (color)/night (monochrome) switchover and iris control, with user-selectable manual and automatic control capabilities.
- 4) The camera unit shall be equipped with a low light level sensor to automatically switch the camera to Black and White mode.
- 5) The camera unit shall be equipped with an override capability to allow the camera to be manually switched via software to turn off the automatic low light level sensor switch feature for Color or Monochrome operation.
- 6) Image sensor: 1/3 inch charge-coupled device (CCD) employing digital video signal processing (DSP) technology with a minimum Effective Picture Elements of 768 horizontal x 494 vertical pixels.
- 7) The camera unit shall include integrated image stabilization.
- 8) Sensitivity: The camera shall maintain usable video under both day and nighttime lighting conditions.



- 9) Video output synchronization shall be 2 to 1 interlace and will observe the NTSC (color) and EIA RS-170 (black and white) standards.
- 10) Resolution: 470 lines horizontal and 350 TV lines vertical, NTSC equivalent.
- 11) Signal-to-noise ratio: 48 dB, minimum with AGC off, un-weighted, and 4.5MHz filter.
- 12) Video Signal Format: National Television Standards Committee (NTSC) composite video output of 1 Volt<sub>p-p</sub> at 75 ohms, unbalanced.

**907-650.02.3--Internet Protocol IP Camera Unit.** IP cameras shall provide the same functionality as the analog camera units specified in subsection 907-650.02.2, in addition to the following minimum requirements:

- 1) Power over Ethernet or 24 VAC Power Input.
- 2) Open Architecture.
- 3) Shall utilize **H.264** (Video Coding Experts Group (VCEG)/Moving Picture Experts Group) Video Compression Technology types as directed by the Intelligent Transportation Systems Program Manager
- 4) Standard Definition (SD) Units Shall be capable of 2 simultaneous H.264 video streams.
  - a. The primary stream shall provide 480p at 30 fps and the ability to be reduced to D1 resolution at 30 fps.
  - b. The secondary stream shall provide a minimum CIF resolution 30fps.
- 5) High Definition Units (HD) Shall be capable of 2 simultaneous H.264 video streams.
  - a. The primary stream shall provide 720p at 30 fps at a minimum and the ability to be reduced to D1 resolution at 30 fps.
  - b. The secondary stream shall provide a minimum CIF resolution 30fps.
- 6) Image sensor: 1/3 inch charge-coupled device (CCD)
- 7) Shall be capable to take video snapshots in JPEG format and transfer image via FTP.
- 8) IP encoded streams and Video Compression Technology shall be compatible with the existing video streaming servers and decoders for the www.mdottraffic.com WEB site or as approved by the Intelligent Transportation Systems Program Manager.
- 9) Internet Protocols: TCP, UDP (Unicast, Multicast IGMP V2), UPnP, DNS, DHCP, RTP, NTP
- 10) Support Real Time Streaming Protocol (RTSP)
- 11) Multilevel Password Protection.
- 12) EDR (Extended Dynamic Range).
- 13) C/CS Lens Mount.
- 14) Backlight Compensation.
- 15) Low Profile Top/Bottom Mount.
- 16) BNC Service Connector. Tap shall be installed inside cabinet.

**907-650.02.4--PTZ Camera Lens.** The minimum camera lens requirements include:

- 1) The camera lens shall have a minimum F-Stop of 1.4 to 1.6.
- 2) Optical and Digital Zoom:
  - a. Shall provide an optical zoom of 35X for analog dome cameras.
  - b. Shall provide a minimum optical zoom of 18X and a minimum digital zoom of 6X for IP PTZ cameras.

- 3) Zoom Control: The zoom magnification shall be fully controllable via the remote PTZ mechanism. The time to pass through the full range of movement of Iris, Zoom and Focus shall in no case exceed 10 seconds.
- 4) Iris and Focus: Support automatic iris and focus control with manual override capability. The iris shall be in a closed position when there is no power.
- 5) White or Color Balance: Support automatic or set to yield optical results under various outdoor lighting conditions.
- 6) Shutter Speed: Support automatic or set to yield optimal results under low lighting conditions without blooming or smearing, auto-iris on. Provide electronic shutter that is selectable in steps.
- 7) The lens shall be equipped for continuous remote control of zoom, focus and iris.
- 8) Mechanical or electrical means shall be provided to protect motors from overrunning in extreme positions.
- 9) The zoom lens shall be an integrated camera/lens combination.
- 10) Vibration or ambient temperature changes shall not affect the automatic iris function, focus mechanism and zoom mechanism.
- 11) The lens shall be optically clear, impact resistant and acrylic. The acrylic lens shall not yellow and shall not introduce appreciable light loss or geometric distortion over a 10-year service life when exposed to the environment.
- 12) The zoom mechanism shall be designed for maintenance-free operations. All gearing and bearings shall be self-lubricating with lubrication and gearing tolerances compatible with the environmental specifications contained herein.

**907-650.02.5--Character Generator.** The minimum character generator requirements include:

- 1) The capability of generating and superimposing lines of English language text on the video image/stream shall be provided.
- 2) A minimum of 20 characters per line that are between 10 and 30 horizontal TV lines in height shall be provided.
- 3) Control (enable, disable and edit) of this feature shall be available remotely and at the field site using a laptop computer.
- 4) The text messages shall be stored in non-volatile memory.
- 5) Characters shall be white with a black border to ensure legibility in varied scenes.
- 6) The following minimum text insertion requirements shall be provided with the ability to individually turn each one on or off:
  - a. Camera ID
  - b. Sector Message
  - c. Alarm Messages
  - d. Pan/Tilt Azimuth/Elevation
  - e. Compass Direction in 8 discreet zones

**907-650.02.6--PTZ Enclosure.** The minimum PTZ enclosure requirements include:

- 1) Sealed, pressurized dome enclosure that provides complete protection for the camera and lens assembly from moisture and airborne contaminants.

- 2) Environmental resistant and tamper proof meeting NEMA 4X or IP-67 rating requirements.
- 3) The dome enclosure shall be constructed in such a way that unrestricted camera views can be obtained at all camera and lens positions.
- 4) Dome environmental control shall be provided by nitrogen pressurization with a Schrader Valve for pressurization and purging. The enclosure shall be designed to be pressurized to the manufactures recommended level .with dry nitrogen. The notation “CAUTION – PRESSURIZED” shall be printed on the rear plate of the enclosure and shall be clearly visible and readable.
- 5) An alarm shall be displayed under low-pressure conditions and displayed on the camera video. The low-pressure alarm shall be on/off selectable by the operator at the TMC.
- 6) The PTZ dome enclosure shall consist of a two-piece (upper and lower half) dome.
- 7) A harness and cables shall be provided with each enclosure to extend the video, power and data from the CCTV Camera System to the field cabinet. No harness shall be exposed. All entry points shall have gaskets to prevent moisture entry. A sealed connector shall be at the top of the dome.
- 8) The dome enclosure shall assist in preventing lens fogging and effectively reduce internal temperatures.
- 9) The enclosure shall minimize glare and provide overexposure protection for the camera when pointed directly at the sun.
- 10) The enclosure shall be equipped with a heater, a defroster and a thermostat.
- 11) The camera equipment inside the dome enclosure shall meet all its specified requirements when operating under the following conditions:
  - a. Ambient Temperatures: From -40°C to +65°C (-40°F to +149°F). A heater/blower shall be used to maintain internal dome temperatures within the manufacturer required operating temperatures for their equipment.
  - b. Relative Humidity: 5% and 95%, non-condensing.
- 12) Total weight of CCTV cameras (including the housing, sunshield, and all internal components shall be less than 18 pounds.
- 13) At a minimum, dome enclosures shall be secured with a mounting plate/attachment designed to withstand a 90mph sustained wind speed with a 30% gust factor. For projects that are in areas with higher wind standards, the higher standard is required.

**907-650.02.7--Pan and Tilt Unit (PTU).** The minimum pan and tilt unit requirements include:

- 1) The motorized, remotely controlled Pan/Tilt unit shall be mounted within the dome enclosure. The unit shall be integrated with the CCTV control system.
- 2) For dome enclosed units, the unit shall provide a minimum continuous tilt (vertical) movement of 90 degrees from horizontal and continuous pan (horizontal) movement of 360 degrees. Tilt speed shall be variable from zero up to 40 degrees per second, minimum, and the pan speed shall be variable from zero up to 80 degrees per second, minimum.
- 3) For separately housed tilt motor units (non-Dome Cameras), the unit shall provide a minimum continuous tilt (vertical) movement of +90° to -90° degrees from horizontal and continuous pan (horizontal) movement of 360 degrees. Tilt speed shall be variable from zero up to 34 degrees per second, minimum, and the pan speed shall be variable from zero up to 80 degrees per second, minimum.

- 4) The unit shall be capable of simultaneous pan, tilt movements and zoom on one camera
- 5) Drive motors shall be capable of instantaneous reversing, be corrosion resistant, not require lubrication, and have overload protection.
- 6) Braking shall be provided in both pan and tilt movements to enable fast stop and reversal and to prevent drifting.
- 7) The viewing limits shall be set by a minimum of 8 discreet privacy zones that are software selectable.

**907-650.02.8--Camera Control Receiver – Driver.** The minimum camera control receiver-driver requirements include:

- 1) The camera control receiver shall provide a single point interface for control, power and video communications.
- 2) The camera control receiver-driver shall be included within the dome enclosure and control the camera, pan/tilt and lens functions at each CCTV site.
- 3) The unit shall provide alphanumeric generation for on-screen titles.
- 4) The unit shall provide the ability to display diagnostic information on the screen in response to user commands.
- 5) The diagnostic information shall include current pan, tilt, zoom and focus positions, and error codes for power, communication, position and memory problems.
- 6) The capability for programmed tours shall be provided.
- 7) The camera control receiver shall use non-volatile memory to store the required information for presets, camera ID and sector text.
- 8) Presets shall meet the following requirements:
  - a. A minimum of 64 presets shall be supported. Each preset shall consist of pan, tilt, zoom and focus positions.
  - b. The Contractor shall develop and install ten (10) presets for each camera. The Contractor shall submit the preset locations to the MDOT ITS Engineer for review and approval.
- 9) Protocols: CCTV cameras shall support at a minimum the Pelco D and the NTCIP 1205 v1.08 communication protocol. No camera control receiver-driver shall use non-published protocols. The Contractor shall provide protocol documentation.
- 10) Communications Interface: The communications interface shall support communications compliant with RS- 232, and/or 485 (user selectable), or shall provide a network interface port.
- 11) Serial communications interface shall be compatible with the Video Encoder serial port as defined in Section 907-662 .
- 12) Standard interface connectors shall be provided.
- 13) The local video input and output connections shall be the BNC type for analog cameras. IP Based Cameras should stream video over the Ethernet connection but include a BNC type connection for local testing, configuration, and calibration.
- 14) Connector(s) shall also be used for connecting the control outputs from the control receiver-driver unit to the camera, lens and pan/tilt mechanisms.

**907-650.02.9--Fixed Camera Lens.** The fixed camera lens shall meet the following minimum requirements.

- 1) Type: Varifocal
- 2) Format Size: 1/3 Inch
- 3) Mount Type: CS
- 4) Focal Length: 5-50
- 5) Zoom Ratio: 1.4 -360
- 6) Relative Aperture (F): 1.6-360
- 7) Iris: Auto (Direct Drive)
- 8) Focus: Manual
- 9) Zoom: Manual
- 10) Minimum Object Distance: 0.5 m
- 11) Back Focal Length: 10.05 mm
- 12) The camera lens shall have a minimum F-Stop of 1.4 to 1.6.
- 13) Shall provide a varifocal zoom of 5-50 mm.
- 14) Iris: Support automatic iris control with manual override capability. The iris shall be in a closed position when there is no power.
- 15) White or Color Balance: Support automatic or set to yield optical results under various outdoor lighting conditions.
- 16) Shutter Speed: Support automatic or set to yield optimal results under low lighting conditions without blooming or smearing, auto-iris on. Provide electronic shutter that is selectable in steps.
- 17) Vibration or ambient temperature change shall not affect the automatic iris function, focus mechanism or zoom mechanism.
- 18) The lens shall be optically clear, impact resistant and acrylic. The acrylic lens shall not yellow and shall not introduce appreciable light loss or geometric distortion over a 10-year service life when exposed to the environment.

**907-650.02.10--Fixed Camera Enclosure.** The fixed camera lens shall meet the following minimum requirements.

- 1) Designed for Outdoor Applications
- 2) Maintenance access for servicing
- 3) Environmental resistant and tamper proof meeting NEMA 4X or IP-66 rating requirements.
- 4) A harness and cables shall be provided with each enclosure to extend the video, power and data from the CCTV Camera System to the field cabinet. No harness shall be exposed. All entry points shall have gaskets to prevent moisture
- 5) The enclosure shall minimize glare and provide overexposure protection for the camera when pointed directly at the sun.
- 6) The enclosure shall be equipped with a heater, a defroster and a thermostat.
- 7) The camera equipment inside the enclosure shall meet all its specified requirements when operating under the following conditions:

- a. Ambient Temperatures: -10°C to +50°C (14°F to +122°F). A heater/blower shall be used to maintain internal temperatures within the manufacturer required operating temperatures for their equipment.
- b. Relative Humidity: 5% and 95%, non-condensing.
- 8) Total weight of CCTV cameras (including the housing, sunshield, and all internal components shall be less than 18 pounds.
- 9) The enclosure shall be secured with a mounting plate/attachment designed to withstand a 90mph sustained wind speed with a 30% gust factor. For projects that are in areas with higher wind standards, the higher standard is required.

**907-650.02.11--Electrical.** The minimum electrical requirements include:

- 1) The CCTV Camera System shall be furnished with any and all equipment required for a fully functional system, including all appropriate power and communications cables as defined by the manufacturer.
- 2) The power cables shall be sized to meet the applicable National Electrical Code (NEC) requirements.
- 3) Total power consumption shall not exceed 125 watts.
- 4) All devices supplied as system components shall accept, as a primary power source, 120 volts of alternating current (VAC) at an input of 60 hertz. Any device that requires source input other than 120 VAC at 60 hertz, such as cameras, PTUs, receiver/drives and dome heaters/blowers that operate at 24 volts or other, shall be furnished with the appropriate means of conversion.
- 5) IP fixed cameras shall receive Power over Ethernet (POE) with appropriate cabling.

**907-650.02.12--Coaxial Cabling.** The minimum coaxial interconnect cable requirements include:

- 1) The coaxial cable from the CCTV Camera System to the equipment cabinet shall be Belden 8281 or approved equivalent.
- 2) RG 59/U, 20AWG, bare copper conductor, polyethylene insulation.
- 3) 98% tinned copper, double braid shield, black polyethylene jacket.
- 4) Characteristic Impedance: 75 ohms ( $\Omega$ ), nominal.
- 5) Capacitance (conductor to shield): 21pF/ft; Inductance: 0.131uH/ft, nominal.

**907-650.02.13--Surge Protection.** All CCTV Camera System electrical interconnects shall be protected from voltage surges caused by lightning and external electromagnetic fields. The minimum surge protection requirements include:

- 1) Surge protectors shall be furnished for all non-dielectric cable and conductors (video, data/signal and device/assembly power) between the CCTV Camera System and the equipment cabinet.
- 2) The surge protectors shall have leads that are kept to a minimum length as recommended by the surge device manufacturer.
- 3) All surge protection devices shall be designed to meet the temperature and humidity requirements expected in this type of outdoor application.

- 4) All Surge protectors shall be U.L. listed (UL 1449, UL 497, 497A, 497B, etc., as appropriate) and bonded to the same single-point ground point.
- 5) Coaxial Cable Surge protectors for coaxial cable shall meet/provide the following functionality:
  - a. Attenuation: 0.1dB @10 MHz, typical
  - b. Input/Output Impedance: 75 ohms nominal
  - c. Operating Voltage of the surge protector shall match characteristics of the ITS device/assembly
  - d. Peak Surge Current: 5,000-amperes for an 8x20 microsecond waveform
  - e. Response Time: 1 nanosecond or less
- 6) Low Voltage/Signal Cable Surge protectors for data/signal/control cable shall meet/provide the following functionality:
  - a. Peak Surge Current: 10,000-amperes for an 8x20 microsecond waveform
  - b. Response Time: 1 nanosecond or less
  - c. Life Expectancy: Capable of surviving at a minimum of 25 occurrences at 2000-amperes
- 7) CCTV power surge protectors for power from equipment cabinet power distribution to the CCTV Camera System shall meet/provide the following functionality:
  - a. Frequency: DC to 10MHz
  - b. Clamping Voltage: < 30VAC (rms) or 42VDC
  - c. Insertion Loss: < 0.2dB
  - d. Input/Output Impedance: 75 ohms, typical
  - e. Peak Surge Current: 3000-amperes
  - f. Response Time: 1 nanosecond or less
- 8) Surge protection for the IP Fixed cameras shall include provisioning for the Power over ETHERNET (POE) cabling and voltages.

**907-650.03--Installation Requirements.** All equipment shall be installed according to the manufacturer's recommendations, the Plans and as follows:

- 1) The Contractor shall provide the MDOT with a written inventory of items received and the condition in which they were received. Inventory shall be inclusive of make, model, and serial numbers, MAC address, and installation GPS coordinates. All equipment shall be installed according to the manufacturer's recommendations or as directed by the MDOT.
- 2) Materials and associated accessories/adapters shall not be applied contrary to the manufacturer's recommendations and standard practices.
- 3) Shall include all materials needed to permanently mount the CCTV camera to the support structure as indicated in the plans.
- 4) Furnish and install power, video, and data cables, and any and all ancillary equipment required to provide a complete and fully operational CCTV system site.
- 5) Verify all wiring meets NEC requirements where applicable.
- 6) All above requirements apply to both new CCTV sites as well as sites where an existing CCTV is being replaced.
- 7) Any new, additional or updated drivers required for the existing ATMS software to communicate and control new CCTV installed by the Contractor shall be the responsibility of the Contractor.

**907-650-03.1--CCTV Test Requirements.** The Contractor shall conduct a Project Testing Program. All costs associated with the Project Testing Program shall be included in overall contract prices; no separate payment will be made for any testing.

- 1) The Contractor is responsible for planning, coordinating, conducting and documenting all aspects of the Project Testing Program. The Project Engineer, ITS Engineer, and/or their designee(s) are only responsible for attending and observing each test, and reviewing and approving the Contractor's test results documentation. The ITS Engineer, Project Engineer and/or their designee(s) reserve the right to attend and observe all tests. The Contractor is required to perform the final project acceptance test with the MDOT ITS Engineer or his designee present.
- 2) Each test shall fully demonstrate that the equipment being tested is clearly and definitely in full compliance with all project requirements. Test procedures shall be submitted and approved for each test as part of the project submittals. Test procedures shall include every action necessary to fully demonstrate that the equipment being tested is clearly and definitely in full compliance with all project requirements. Test procedures shall cross-reference to these Technical Specifications or the Project Plans. Test procedures shall contain documentation regarding the equipment configurations and programming.
- 3) No testing shall be scheduled until approval of all project submittals and approval of the test procedures for the given test.
- 4) The Contractor shall provide all ancillary equipment and materials as required in the approved test procedures.
- 5) The Contractor shall request in writing the Project Engineer's approval for each test occurrence a minimum of 14 days prior to the requested test date. Test requests shall include the test to be performed and the equipment to be tested. The Project Engineer reserves the right to reschedule test request if needed.
- 6) All tests shall be documented in writing by the Contractor in accordance with the test procedure and submitted to the Project Engineer within seven (7) days of the test. Any given test session is considered incomplete until the Project Engineer has approved the documentation for that test session.
- 7) All tests deemed by the Project Engineer to be unsatisfactorily completed shall be repeated by the Contractor. In the written request for each test occurrence that is a repeat of a previous test, the Contractor shall summarize the diagnosis and correction of each aspect of the previous test that was deemed unsatisfactory. The test procedures for a repeated test occurrence shall meet all the requirements of the original test procedures, including review and approval by the Project Engineer and ITS Program Manager or his designee.
- 8) The satisfactory completion of any test shall not relieve the Contractor of responsibility to provide a completely acceptable and operating system that meets all requirements of this project.
- 9) Standalone Acceptance Test (SAT). The Contractor shall perform a complete SAT on all equipment and materials associated with the field device site, including but not limited to electrical service, conduit, pull boxes, communication links (fiber, leased copper, wireless), control cables, poles, etc. An SAT shall be conducted at every field device site. Where applicable, a SAT shall be conducted for a fully installed and completed connection to the designated Traffic Management Center (TMC) or central data/video collection site.



- 10) The SAT shall demonstrate that all equipment and materials are in full compliance with all project requirements and fully functional as installed and in final configuration. The SAT shall also demonstrate full compliance with all operational and performance requirements of the project. All SATs will include a visual inspection of the cabinet and all construction elements at the site to ensure they are compliant with the specifications.

**907-662.03.2--Warranty.** Minimum warranty requirements are as follows:

- 1) All warranties and guarantees shall be assigned to the Mississippi Department of Transportation.
- 2) The warranty shall be a **minimum of one (1) year warranty** per CCTV and all other installed and/or attached appurtenances.
- 3) The one year warranty period begins upon final acceptance of the video subsystem.
- 4) During the warranty period, the Contractor shall repair or replace with new or refurbished material, at no additional cost to the State, any product containing a warranty defect, provided the product is returned postage-paid by the Department to the manufacturer's factory or authorized warranty site.
- 5) Products repaired or replaced under warranty by the manufacturer shall be returned prepaid by the manufacturer.
- 6) During the warranty period, technical support shall be available from the Contractor via telephone within **four (4) hours** of the time a call is made by the Department, and this support shall be available from factory certified personnel.
- 7) During the warranty period, **updates and corrections to hardware**, software and firmware shall be made available to the Department by the Contractor at no additional cost.

**907-662.03.3--MDOT Employee Training.** Minimum Training requirements are as follows:

- 1) The Contractor shall provide a camera system training plan that includes a schedule, documentation to be provided, identified trainer, and location at a minimum to MDOT Project Manager. The camera system training plan must be accepted by the MDOT Project Manager and ITS Engineer and training must be completed before burn in period may start.
- 2) The training shall be approved two (2) weeks ahead of the scheduled date.
- 3) For provided devices that MDOT already has the same make and model existing in the system:
  1. One (1) day of on site device operation, maintenance, and configuration training for up to 10 individuals.
  2. One (1) day of on site system training at TMC for up to 10 people, that is separate from above training and specifically for software control of integrated devices.
- 4) For provided devices that MDOT does not have the same make and model existing in the system:
  1. Three (3) days of on site device operation, maintenance, and configuration training for up to 10 individuals.
  2. Three (3) days of on site system training at TMC for up to 10 people, that is separate from above training and specifically for software control of integrated devices.

**907-650.04--Method of Measurement.** On-Street Video Equipment will be measured per each camera installation. Such measurement shall be inclusive of camera unit, housing, pan/tilt drive, receiver/driver, software driver, mounting hardware and any enclosures necessary. It shall also include any items necessary to mount the camera unit from a mast arm pole, steel strain pole, pole extension pipe, etc. Required cabinet facilities, including transformer and/or disconnects, will not be measured for separate payment.

**907-650.05--Basis of Payment.** On-Street Video Equipment, measured as prescribed above, will be paid for at the contract unit price bid per each, which price shall be full compensation for furnishing all materials, for all installing, connecting, cutting, pulling and testing and for all equipment, tools, labor and incidentals necessary to complete the work.

Progress payments for the On-Street Video System will be paid as follows:

- 1) 50% of the contract unit price upon delivery of equipment and approval of any bench and/or pre-installation test results, as prescribed in Project Testing Program;
- 2) An additional 40% of the contract unit price upon approval of Stand Alone Acceptance Test results; and
- 3) Final 10% of the contract unit price upon Final Project Acceptance.

Payment will be made under:

907-650-A: On-Street Video Equipment Type \_\_\_\_\_ - per each

# MISSISSIPPI DEPARTMENT OF TRANSPORTATION

**SPECIAL PROVISION NO. 907-656-11**

**CODE: (SP)**

**DATE: 09/15/2015**

**SUBJECT: Dynamic Message Sign**

**PROJECT: CM-0017-00(041) / 106852301 -- Desoto County**

Section 907-656, Dynamic Message Sign, is hereby added to and made a part of the 2004 Edition of the Mississippi Standard Specifications for Road and Bridge Construction as follows:

## **SECTION 907-656--DYNAMIC MESSAGE SIGN**

**907-656.01--Description.** This Special provision describes furnishing, installing and integrating a stationary electronic Dynamic Message Sign (DMS) assembly. The Contractor shall supply a complete operating Light Emitting Diode (LED) sign including the sign housing, sign controller unit (SCU), roadside DMS controller cabinet, all cabling, conduits, electrical service, surge suppression and all hardware associated with a complete installation as required by these Special Provisions.

The DMS assemblies will provide MDOT personnel with a means to visually communicate with motorists regarding incidents, accidents, special events, travel times, etc., that may impact travel on the roadway network.

### **907-656.02--Materials.**

**907-656.02.1--Types of DMS.** Each DMS shall be one of the following types:

- 1) DMS Type 1 shall meet the following requirements:
  - a) Shall be full color high resolution matrix sign
  - b) Display and pixel spacing shall be capable of displaying three lines of text with 21 characters per line such that each character shall each have a nominal height of 18 inches.
  - c) Pixel pitch shall be 20mm (0.78") or less.
  - d) The signs housing shall be a walk-in enclosure.
- 2) DMS Type 2 shall meet the following requirements:
  - a) Shall be full color high resolution matrix sign
  - b) Display and pixel spacing shall be capable of displaying three lines of text with 21 characters per line such that each character shall each have a nominal height of 18 inches.
  - c) Pixel pitch shall be 20mm (0.78") or less.
  - d) The signs housing shall be either a front access or rear access enclosure. A walk-in enclosure is not required for a Type 2 DMS but is allowed if preferred by the vendor.
- 3) DMS Type 3 shall meet the following requirements:

- a) Shall be full color high resolution matrix sign
- b) Display and pixel spacing shall be capable of displaying two lines of text with 9 characters per line such that each character shall each have a nominal height of 12 inches.
- c) Pixel pitch shall be 20mm (0.78”) or less.
- d) The signs housing shall be either a front access or rear access enclosure. A walk-in enclosure is not required for a Type 3 DMS but is allowed if preferred by the vendor.

**907-656.02.2--DMS Components.** Each DMS shall include the following main components:

- 1) Sign Housing (walk-in or front access).
- 2) LED Modules.
- 3) LED Drivers.
- 4) Power Supplies
- 5) Roadside DMS Cabinet.
- 6) Sign Controller
- 7) Surge Protection Device (SPD)

**907-656.02.3--References.** These Special Provisions incorporate nonnative references to other standards as listed below. If a conflict between the standards referenced and this Special Provision, this Special Provision shall govern.

- 1) NEMA TS-4: NEMA TS4-2004, Hardware Standards for Dynamic Message Signs (DMS) with NTCIP Requirements. For this special provision only NEMA TS-4 requirements that apply to fixed signs locations shall be used.
- 2) NTCIP

**907-656.02.4--Glossary of DMS Terms.** The definitions of the terms used within this special provision are those terms defined in NEMA TS-4.

**907-656.02.5--Environmental Requirements.** Each DMS shall meet all of the performance and testing requirements as outline in Section 2 of NEMA TS-4 standard in addition to the following minimum requirements:

- 1) SPD shall be installed at each of the following locations:
  - a) AC power service entrance into the DMS Cabinet before the main cabinet breaker.
  - b) AC power out to the DMS housing after the branch breaker.
  - c) AC power entrance into the DMS Housing before the main housing breaker.
- 2) The SPD shall be designed to meet IEEE C62.41 C3 conditions.
- 3) A SPD intalled for AC power feed at the panel board shall be connected in parallel and meet the following minimum electrical requirements:
  - a) Withstand a peak 100,000-ampere surge current, 50kA L-N, 50kA L-G
  - b) 5000 Category (C3 High) impulses with <10% drift, short-circuit current rating (SCCR) of 200,000 rms symmetrical amperes (UL Listed) .
  - c) UL 1449 200kA SCCR, UL 1283 4<sup>th</sup> Edition, and Canadian safety standards.
  - d) Temperature range of -40°F to +140°F (-40°C to +60°C)

- 4) A SPD intalled for DMS control equipment protection shall be connected in series and meet the following minimum electrical requirements:
  - a) Withstand a peak 50,000-ampere surge current for an 8x20 microsecond wave form
  - b) Maximum continuous operating current of 15 amps at 120 VAC, 60 Hz
  - c) UL 1449 surge rating of 400V or less
  - d) Temperature range of -40°F to +158°F (-40°C to +70°C)

**907-656.02.6--Mechanical Construction.** Each DMS shall meet all of the performance and testing requirements as outlined in Section 3 of NEMA TS-4 standard in addition to the following requirements:

**907-656.02.6.1--Vents and Filters.** Each DMS vent and air filters shall meet the following requirements:

- 1) Air filters shall be installed between the intake vent and the fan.
- 2) Air filters must be replaceable, industrial grade, and pleated.
- 3) Air filters shall completely cover the vent opening area.
- 4) Air filters shall be manufactured per ASHRAE Standard 52.2P or Standard 52.1.
- 5) Air filters shall be of fire retardant and water resistant construction, able to withstand temperatures up to 300°F.
- 6) Filter replacement is to be accomplished without tools with easy access.

**907-656.02.6.2--Ventilation System.** Each DMS shall incorporate a ventilation system meeting the following requirements:

- 1) The electric fans shall be designed for continuous duty.
- 2) Sign housing venting fan(s) shall have a minimum combined capacity to keep the signs housing internal temperature to a maximum of thirty (30) degrees Fahrenheit above external ambient temperature under the following conditions:
  - a) All pixels are on at maximum illumination level.
  - b) Maximum solar loading for the state of Mississippi.
  - c) Worse case humidity for the State of Mississippi.
- 3) LED cooling fans shall be provided to vent the air between the display module and the sign face cover.
- 4) Sufficient LED cooling fans shall be provided to keep the air surrounding the LEDs to a maximum temperature not exceeding the rated temperature for the LEDs.
- 5) Provide sign housing ventilation calculations and LED cooling calculations to show sufficient air circulation is provided to meet the special provision requirements.
- 6) The fan(s) shall be mounted within the housing.
- 7) The fan(s) shall be down stream from the air filters.
- 8) The sign housing venting fan(s) shall blow the air into the sign housing.
- 9) The DMS manufacturer shall determine the number, placement, and size of the electric fans to meet the requirements listed in this subsection.
- 10) The fans shall be thermostatically controlled.
- 11) The thermostat shall have a minimum adjustable range between 77° to 122°F (25° to 50°C).

**907-656.02.6.3--Sign Face Material.** The sign face material shall be replaceable.

**907-656.02.6.4--Sign Housing Construction.** The DMS housing shall meet the following requirements:

- 1) Engineer shall approve sign housing dimensions.
- 2) The sign housing shall present a clean, unbroken, neat appearance.
- 3) The sign housing shall not have any visible text or logos on it.
- 4) The angular alignment of the sign housing shall be adjusted in the vertical direction down by three (3) degrees.
- 5) The sign housing shall be constructed of aluminum sheeting to be 5052-H32 and structural members to be 6061-T6, per ASTM Specifications.
- 6) Aluminum sheeting shall be no less than 1/8 inch thick with all seams continuously welded by MIG (metal inert gas) welding or other approved method of similar strength.
- 7) The front of the sign housing shall have a flat black matte finish.
- 8) All surfaces other than the front of the sign housing shall have a bare aluminum mill finish.
- 9) Weep holes shall be provided to allow moisture to escape.
- 10) The sign housing shall have an interior, non-skid walkway where the walkway shall extend the entire length of the sign housing.

**907-656.02.6.5--Access Door.** Walk in DMS housing shall include an access door meeting the following requirements:

- 1) Access to the interior of the sign case shall be via a gasketed door.
- 2) Gasketing shall be provided on all door openings and shall meet the following requirements:
  - a) Be dust-tight.
  - b) Meet NEMA 3R requirements
  - c) Permanently bonded to the door metal.
  - d) Shall not stick to the mating metal surface.
- 3) A gasket top channel shall be provided to support the top gasket on the door (in order to prevent gasket gravitational fatigue).
- 4) When the door is closed and latched, the door shall be locked. The lock shall meet the following requirements:
  - a) The lock and lock support shall be rigidly mounted on the door.
  - b) In the locked position, the bolt throw shall extend a nominal 0.25-inch into the latch cam area.
  - c) A lid or seal shall be provided to prevent dust or water entry through the lock opening.
  - d) The locks shall be Corbin # type and shall match the master number of the existing signs.
  - e) Two keys shall be supplied with each lock.
  - f) The keys shall be removable in the locked position only.
  - g) The locks shall have rectangular, spring loaded bolts.
- 5) For DMS installed on an overhead structure with catwalk, the access door shall be located

on side of DMS housing that is immediately adjacent to catwalk.

- 6) For DMS installed on a roadside structure, the access door shall be located on the side of the DMS housing that is immediately adjacent to roadside, but NOT directly above the travel lanes, and facing traveled way..

**907-656.02.7--Controller to Sign Interface.** Each DMS shall meet all of the performance and testing requirements as outline in Section 4 of NEMA TS-4 standard.

**907-656.02.8--Display Properties.** Each DMS shall meet all of the performance and testing requirements as outlined in Section 5 of NEMA TS-4 standard for outdoor sign using light emitting pixels in addition to the following requirements:

**Pixels.** Each pixel shall meet the following requirements:

- 1) DMS pixel shall be manufactured using Light Emitting Diodes (LED).
- 2) Each pixel shall contain the quantity of discrete LEDs needed to output white colored light at a minimum luminous intensity of 12,400 candelas per square meter when measured using a photometric meter through the DMS front face panel assembly.
- 3) Each pixel shall be capable of displaying amber colored light with a minimum luminous intensity of 7,440 candelas per square meter when measured using a photometric meter through the DMS front face panel assembly.
- 4) Each pixel shall consist of a minimum of one (1) independent string of discrete LEDs for each color. All pixels shall contain an equal quantity of LED strings.
- 5) Pixels shall be replaceable either individually or in groupings. Groupings with three or more pixels shall be permitted only if bench level repairs and replacements to individual pixels are possible.
- 6) The failure of an LED in one string within a pixel shall not affect the operation of any other string or pixel.

**907-656.02.9--Optical Components.** Each DMS shall meet all of the performance and testing requirements as outlined in Section 6 of NEMA TS-4 standard in addition to the following requirements:

**LED Technology.** LEDs used to form each pixel shall meet the following minimum requirements:

- 1) DMS pixels shall be constructed with discrete LEDs manufactured by Avago Technologies (formerly Agilent Technologies), Toshiba Corporation, or Nichia Corporation, OSRAM, EOI, or a manufacturer submitted and approved in writing from the Department
- 2) LED lenses shall be UV light resistant.
- 3) All LEDs shall be water resistant.
- 4) All LEDs shall have a nominal viewing cone of 30 degrees with a half-power angle of 15 degrees measured from the longitudinal axis of the LED. Viewing cone tolerances shall be as specified in the LED manufacturer's product specifications and shall not exceed +/- 5 degrees. Using optical enhancing lenses with 15 degree LED's will not conform to 30

degree half-power viewing cone specification.

- 5) Red LEDs shall utilize AlInGaP semiconductor technology and shall emit red light that has a peak wavelength of 615-635 nm.
- 6) Green LEDs shall utilize InGaN semiconductor technology and shall emit green light that has a peak wavelength of 520-535 nm.
- 7) Blue LEDs shall utilize InGaN semiconductor technology and shall emit blue light that has a peak wavelength of 464-470 nm.
- 8) The various LED color and intensity bins shall be distributed evenly throughout the sign and shall be consistent from pixel to pixel.
- 9) The LED manufacturer shall assure color uniformity and consistency on the LED display face within 30 degree cone of vision. Inconsistent color shifts of intensity will be cause for rejection.
- 10) The LEDs shall be rated by the LED manufacturer to have a minimum lifetime of 100,000 hours of continuous operation while maintaining a minimum of 70% of the original brightness.

**907-656.02.10--DMS Controller Cabinet.** Each DMS controller cabinet shall meet all of the performance and testing requirements as outlined in Section 7 of NEMA TS-4 standard.

**907-656.02.11--Electronics and Electrical.** Each DMS shall meet all of the performance and testing requirements as outlined in Section 8 of NEMA TS-4 standard in addition to the following requirements:

**907-656.02.11.1--Brightness Controls.** The DMS light sensing and dimming control shall meet the following minimum requirements:

- 1) Sixteen (16) user selectable brightness levels shall be provided.
- 2) The controller shall monitor ambient light levels through a photo sensor assembly that senses the ambient illumination level using three (3) photodiodes oriented as follows:
  - a) Cell 1 - Monitors the change from "day" to "night".
  - b) Cell 2 - Facing towards oncoming traffic; monitors prevailing ambient light levels in the upstream traffic.
  - c) Cell 3 - Facing passed traffic; monitors prevailing ambient light levels in the downstream traffic.

**907-656.02.11.2--Communication Interfaces.** The DMS controller shall support two Central Communication Ports (CCPs). One CCP shall be an Ethernet port, and the second CCP shall be a serial RS232 port.

**907-656.02.11.3--NTCIP Protocol and Command Sets.** As a minimum, the DMS hardware and software shall support the following NTCIP objects:

- 1) This specification references several standards through their NTCIP designated names and numbers. Each NTCIP Component covered by these project specifications shall implement the most recent version of the standard that is available as of project advertisement date, including any and all prepared Amendments to these standards as of the same date.



- 2) Profile Implementation Conformance Specifications (PICS) for each NTCIP standard required shall be submitted for review and approval to the Department.

**907-656.02.11.3.1--Ethernet Interface.** Communication interfaces using Ethernet shall conform at a minimum with all mandatory objects of all mandatory Conformance Groups of the following standards:

- 1) 1101 -NTCIP Simple Transportation Management Framework (STMF)
- 2) 1203 -NTCIP Object Definition for Dynamic Message Signs
- 3) 2301 -NTCIP AP-STMF
- 4) 2202 -NTCIP TP-Internet
- 5) 2104 -NTCIP SP-Ethernet

**907-656.02.11.3.2--RS-232 Interface.** Communication interfaces using RS-232 shall conform at a minimum with all standards:

- 1) 1101 -NTCIP Simple Transportation Management Framework (STMF)
- 2) 1203 -NTCIP Object Definition for Dynamic Message Signs
- 3) 2301 -NTCIP AP-STMF
- 4) 2201 -NTCIP TP-Transportation Transport Profile
- 5) 2104 -NTCIP SP-PMPP/RS232

**907-656.02.11.3.3--Subnet Level.** For each communication interface, the Subnet Level shall meet the following minimum requirements:

- 1) NTCIP Components may support additional Subnet Profiles at the manufacturer's option.
- 2) At any one time, only one Subnet Profile shall be active on a given communication interface.
- 3) The NTCIP Component shall be configurable to allow the field technician to activate the desired Subnet Profile.

**907-656.02.11.3.4--Transport Level.** For each communication interface, the Transport Level shall meet the following minimum requirements:

- 1) Communication interfaces may support additional Transport Profiles at the manufacturer's option.
- 2) Response datagrams shall use the same Transport Profile used in the request.
- 3) Each communication interface shall support the receipt of diagrams conforming to any of the identified Transport Profiles at any time.

**907-656.02.11.3.5--Application Level.** For each communication interface, the Application Level shall meet the following minimum requirements:

- 1) All communication interfaces shall comply with NTCIP 1101 and shall meet the requirements for Conformance Level 1 (NOTE -See Amendment to standard).
- 2) Optionally, the NTCIP Component may support SNMP traps.

- 3) A communication interface may support additional Application Profiles at the manufacturer's option.
- 4) Responses shall use the same Application Profile used by the request.
- 5) Each communication interface shall support the receipt of Application data packets at any time allowed by the subject standards.

**907-656.02.11.3.6--Information Level.** All communication interfaces Information level protocol shall meet the following minimum requirements:

- 1) All communication interfaces shall provide Full, Standardized Object Range Support of all objects required by these procurement specifications unless otherwise indicated below.
- 2) The maximum Response Time for any object or group of objects shall be 200 milliseconds.
- 3) All communication interfaces shall implement all mandatory objects of all mandatory Conformance Groups as defined in NTCIP 1203 and their respective Amendments.
- 4) Table 1 indicates the modified object requirements for these mandatory objects.
- 5) Table 2 shows the required minimum support of messages that are to be stored in permanent memory.
- 6) The sign shall blank if a command to display a message contains an invalid Message CRC value for the desired message.
- 7) Table 3 specifies the support of the required MULTI tags and their ranges.
- 8) Shall also implement all mandatory objects of the following optional conformance groups of NTCIP 1201.
  - a) Time Management Conformal Group
  - b) Report Conformal Group. Table 4 indicates the modified object requirements.
- 9) Implement all objects of the Font Configuration Conformance Group, as defined in NTCIP 1203. Table 5 indicates the modified object requirements for this conformance group.
- 10) Implement all objects of the DMS Configuration Conformance Group, as defined in NTCIP 1203.
- 11) Implement all objects of the Multi Configuration Conformance Group, as defined in NTCIP 1203. Table 6 indicates the modified object requirements for this conformance group.
- 12) Implement all objects of the Multi Error Configuration, as defined in NTCIP 1203.
- 13) Implement all objects of the Illumination/Brightness.
- 14) Sign Status, as defined in NTCIP 1203.
- 15) Status Error, as defined in NTCIP 1203.
- 16) Pixel Error Status, as defined in NTCIP 1203.
- 17) Since the display of graphics is currently not defined within the NTCIP Standards or their amendments, the vendor shall propose, and provide detailed documentation (i.e., interface protocol description level), how the specified graphical shapes can be displayed.
- 18) Implement the optional objects listed in Table 7.

**Table 1: Modified Object Ranges for Mandatory Objects**

Object	Reference	Project Requirement
ModuleTableEntry	NTCIP 1201 Clause 2.2.3	Shall contain at least one row with moduleType equal to 3 (software). The moduleMake shall specify the name of the manufacturer, the moduleModel shall specify the manufacturer's name of the component and the modelVersion shall indicate the model version number of the component.
MaxGroupAddresses	NTCIP 1201 Clause 2.7.1	Shall be at least 1
CommunityNamesMax	NTCIP 1201 Clause 2.8.2	Shall be at least 3
DmsNumPermanentMsg	NTCIP 1203 Clause 2.6.1.1.1.1	Shall be at least 1*
DmsMaxChangeableMsg	NTCIP 1203 Clause 2.6.1.1.1.3	Shall be at least 60. Each message shall support at least 3 pages per message.
DmsFreeChangeableMemory	NTCIP 1203 Clause 2.6.1.1.1.4	Shall be at least 20 when no messages are stored.
DmsMessageMultiString	NTCIP 1203 Clause 2.6.1.1.1.8.3	The DMS shall support any valid MULTI string containing any subset of those MULTI tags listed in Table 3.
DmsControlMode	NTCIP 1203 Clause 2.7.1.1.1.1	Shall support at least the following modes: <ul style="list-style-type: none"> <li>▪ local</li> <li>▪ external</li> <li>▪ central</li> <li>▪ centralOverride</li> </ul>

**Table 2: Content of Permanent Messages**

<b>Perm. Msg. Num.</b>	<b>Section 12 Description</b>
1	Permanent Message #1 shall blank the display (i.e., command the sign to use dmsMessageType 7). It shall have a run-time priority of 50.

**Table 3: Required MULTI Tags**

<b>Code</b>	<b>Feature</b>
f1	Field 1 - time (12hr)
f2	Field 2 - time (24hr)
f8	Field 8 - day of month
f9	Field 9 - month
f10	Field 10 - 2 digit year
f11	Field 11 - 4 digit year
Fl (and /fl)	flashing text on a line by line basis with flash rates controllable in 0.5 second increments.
Fo	Font
J12	justification - line - left
J13	justification - line - center
J14	justification - line - right
J15	justification - line - full
Jp2	justification - page - top
Jp3	justification - page - middle
Jp4	justification - page - bottom
Mv	moving text
Nl	New line
Np	New page, up to 2 instances in a message (i.e., up to 4 pages/frames in a message counting first page)
Pt	page times controllable in 0.5 second increments.

**Table 4: Modified Object Ranges for the Report Conformance Group**

<b>Object</b>	<b>Reference</b>	<b>Project Requirement</b>
maxEventLogConfigs	NTCIP 1201 Clause 2.5.1	Shall be at least 50
eventConfigurationMode	NTCIP 1201 Clause 2.4.3.1	The NTCIP Component shall support the following Event Configuration Modes: <ul style="list-style-type: none"> <li>▪ onChange</li> <li>▪ greaterThanValue</li> <li>▪ smallerThanValue</li> </ul>
maxEventLogSize	NTCIP 1201 Clause 2.5.3	Shall be at least 200
maxEventClasses	NTCIP 1201 Clause 2.5.5	Shall be at least 16

**Table 5: Modified Object Ranges for the Font Configuration Conformance Group**

<b>Object</b>	<b>Reference</b>	<b>Project Requirement</b>
numfont	NTCIP 1203 Clause 2.4.1.1.1.1	Shall be at least 12*
maxFontCharacters	NTCIP 1203 Clause 2.4.1.1.1.3	Shall be at least 127**

\* Upon delivery, the first font shall be a standard 18" font. The second font shall be a double- stroke 18" font. The third font shall be a 12" font. The fourth font shall be empty.

\*\* Upon delivery, the first three font sets shall be configured in accordance with the ASCII character set for the following characters:

- a) "A" thru "Z" - All upper case letters.
- b) "a" thru "z" - All lower case letters.
- c) "0" thru "9" - All decimal digits.
- d) Space (i.e., ASCII code 0x20).
- e) Punctuation marks shown in brackets [ . , ! ? - ' ' " " / ( ) ]
- f) Special characters shown in brackets [ # & \* + < > ]

**Table 6: Modified Object Ranges for the MULTI Configuration Conformance Group**

Object	Reference	Project Requirement
defaultBackgroundColor	NTCIP 1203 Clause 2.5.1.1.1.1	The DMS shall support the following background colors: <ul style="list-style-type: none"> <li>▪ black</li> </ul>
defaultForegroundColor	NTCIP 1203 Clause 2.5.1.1.1.2	The DMS shall support the following foreground colors: <ul style="list-style-type: none"> <li>▪ amber</li> </ul>
defaultJustificationLine	NTCIP 1203 Clause 2.5.1.1.1.6	The DMS shall support the following line justification: <ul style="list-style-type: none"> <li>▪ Left</li> <li>▪ Center</li> <li>▪ Right</li> <li>▪ Full</li> </ul>
defaultJustificationPage	NTCIP 1203 Clause 2.5.1.1.1.7	The DMS shall support the following forms of page justification: <ul style="list-style-type: none"> <li>▪ Top</li> <li>▪ Middle</li> <li>▪ Bottom</li> </ul>
defaultPageOnTime	NTCIP 1203 Clause 2.5.1.1.1.8	The DMS shall support the full range of these objects with step sizes no larger than 0.5 seconds
defaultPageOffTime	NTCIP 1203 Clause 2.5.1.1.1.9	The DMS shall support the full range of these objects with step sizes no larger than 0.5 seconds
defaultCharacterSet	NTCIP 1203 Clause 2.5.1.1.1.10	The DMS shall support the following character sets: <ul style="list-style-type: none"> <li>▪ eightBit</li> </ul>

**Table 7: Optional Object Requirements**

<b>Object</b>	<b>Reference</b>	<b>Project Requirement</b>
globalSetIDParameter	NTCIP 1201 Clause 2.2.1	
eventConfigLogOID	NTCIP 1201 Clause 2.5.2.7	
eventConfigAction	NTCIP 1201 Clause 2.5.2.8	
eventClassDescription	NTCIP 1201 Clause 2.5.6.4	
defaultFlashOn	NTCIP 1203 Clause 2.5.1.1.1.3	The DMS shall support the full range of these objects with step sizes no larger than 0.5 seconds
defaultFlashOff	NTCIP 1203 Clause 2.5.1.1.1.4	The DMS shall support the full range of these objects with step sizes no larger than 0.5 seconds
dmsSWReset	NTCIP 1203 Clause 2.7.1.1.1.2	
dmsMessageTimeRemaining	NTCIP 1203 Clause 2.7.1.1.1.4	
dmsShortPowerRecoveryMessage	NTCIP 1203 Clause 2.7.1.1.1.8	
dmsLongPowerRecoveryMessage	NTCIP 1203 Clause 2.7.1.1.1.9	
dmsShortPowerLossTime	NTCIP 1203 Clause 2.7.1.1.1.10	
dmsResetMessage	NTCIP 1203 Clause 2.7.1.1.1.11	
DmsCommunicationsLossMessage	NTCIP 1203 Clause 2.7.1.1.1.12	
dmsTimeCommLoss	NTCIP 1203 Clause 2.7.1.1.1.13	
dmsEndDurationMessage	NTCIP 1203 Clause 2.7.1.1.1.15	
dmsMemoryMgmt	NTCIP 1203 Clause 2.7.1.1.1.16	The DMS shall support the following Memory management Modes:

			<ul style="list-style-type: none"> <li>▪ normal</li> <li>▪ clearChangeableMessage</li> <li>▪ clearVolatileMessages</li> </ul>
dmsMultiOtherErrorDescription	NTCIP 1203 Clause 2.7.1.1.1.20		If the vendor implements any vendor-specific MULTI tags, the DMS shall be provided with documentation that includes meaningful error messages within this object whenever one of these tags generates an error.
dmsIllumLightOutputStatus	NTCIP 1203 Clause 2.8.1.1.1.9		
watchdogFailureCount	NTCIP 1203 Clause 2.11.1.1.1.5		
dmsStatDoorOpen	NTCIP 1203 Clause 2.11.1.1.1.6		
fanFailure	NTCIP 1203 Clause 2.11.2.1.1.8		
fanTestActivation	NTCIP 1203 Clause 2.11.2.1.1.9		
tempMinCtrlCabinet	NTCIP 1203 Clause 2.11.4.1.1.1		
tempMaxCtrlCabinet	NTCIP 1203 Clause 2.11.4.1.1.2		
tempMinSignHousing	NTCIP 1203 Clause 2.11.4.1.1.5		
tempMaxSignHousing	NTCIP 1203 Clause 2.11.4.1.1.6		

**907-656.02.11.4--NTCIP Compliance Documentation.** Software shall be supplied with full documentation, including a CD-ROM containing ASCII versions of the following Management Information Base (MIB) files in Abstract Syntax Notation 1 (ASN.1) format:

- 1) The relevant version of each official standard Mill Module referenced by the device functionality.
- 2) If the device does not support the full range of any given object within a Standard Mill Module, a manufacturer specific version of the official Standard Mill Module with the supported range indicated in ASN.1 format in the SYNTAX and/or DESCRIPTION fields



of the associated OBJECT TYPE macro. The filename of this file shall be identical to the standard MIB Module, except that it will have the extension ".man".

- 3) A MIB Module in ASN.1 format containing any and all manufacturer-specific objects supported by the device with accurate and meaningful DESCRIPTION fields and supported ranges indicated in the SYNTAX field of the OBJECT-TYPE macros.
- 4) A MIB containing any other objects supported by the device.
- 5) Additionally, the manufacturer shall provide a test procedure that demonstrates how the NTCIP compliance of both, the data dictionaries (NTCIP 1201, 1203, and their amendments) and the communications protocols have been tested.
- 6) The manufacturer shall allow the use of any and all of this documentation by any party authorized by the Procuring Agency for systems integration purposes at any time initially or in the future, regardless of what parties are involved in the systems integration effort.

**907-656.02.12--Performance Monitoring.** Each DMS shall meet all of the performance and testing requirements as outlined in Section 9 of NEMA TS-4 standard.

**907-656.02.13--Power Requirements.** Each DMS shall meet all of the performance and testing requirements as outlined in Section 10 of NEMA TS-4 standard.

**907-656.03--Installation Requirements.** All equipment shall be installed according to the manufacturer's recommendations, the Plans and as follows:

- 1) The Contractor shall provide the MDOT with a written inventory of items received and the condition in which they were received. Inventory shall be inclusive of make, model, and serial numbers, MAC address, and installation GPS coordinates. All equipment shall be installed according to the manufacturer's recommendations or as directed by the MDOT.
- 2) Any new, additional or updated drivers required for the existing ATMS software to communicate and control new DMS installed by the Contractor shall be the responsibility of the Contractor.

**907-656.03.1--Certified Installation.** Installation of the Dynamic Message Signs shall be performed by the supplier or a Contractor trained and certified by the supplier. If a certified Contractor performs the installation and configuration, a supplier factory representative shall supervise and assist a Contractor during installation and configuration.

**907-656.03.2--Testing.** Each DMS shall undergo testing to verify conformance to special provision as follows. The Contractor shall conduct a Project Testing Program as required below. All costs associated with the Project Testing Program shall be included in overall contract prices; no separate payment will be made for any testing.

**907-656.03.2.1--General Requirements.**

- 1) The Contractor is responsible for planning, coordinating, conducting and documenting all aspects of the Project Testing Program. The Project Engineer, ITS Engineer, and/or their designee(s) are only responsible for attending and observing each test, and reviewing and approving the Contractor's test results documentation. The Project Engineer, ITS Engineer,

and/or their designee(s) reserve the right to attend and observe all tests. The Contractor is required to perform the DMS Sub-System test and the Conditional Acceptance test with the MDOT ITS Engineer or his designee present.

- 2) Each test shall fully demonstrate that the equipment being tested is clearly and definitely in full compliance with all project requirements.
- 3) Test procedures shall be submitted and approved for each test as part of the project submittals. Test procedures shall include every action necessary to fully demonstrate that the equipment being tested is clearly and definitively in full compliance with all project requirements. Test procedures shall cross-reference to these specifications or the project plans. Test procedures shall contain documentation regarding the equipment configurations and programming.
- 4) No testing shall be scheduled until approval of all project submittals and approval of the test procedures for the given test.
- 5) The Contractor shall provide all ancillary equipment and materials as required in the approved test procedures.
- 6) The Contractor shall request in writing the Project Engineer's approval for each test occurrence a minimum of 14 days prior to the requested test date. Test requests shall include the test to be performed and the equipment to be tested. The Project Engineer reserves the right to reschedule test request if needed.
- 7) All tests shall be documented in writing by the Contractor in accordance with the test procedure and submitted to the Project Engineer within seven (7) days of the test. Any given test session is considered incomplete until the Project Engineer has approved the documentation for that test session.
- 8) All tests deemed by the Project Engineer to be unsatisfactorily completed shall be repeated by the Contractor. In the written request for each test occurrence that is a repeat of a previous test, the Contractor shall summarize the diagnosis and correction of each aspect of the previous test. The Contractor shall summarize the diagnosis and correction of each aspect of the previous test that was deemed unsatisfactory. The test procedures for a repeated test occurrence shall meet all the requirements of the original test procedures, including review and approval by the Project Engineer and ITS Manager.
- 9) The satisfactory completion of any test shall not relieve the Contractor of responsibility to provide a completely acceptable and operating system that meets all requirements of this project.

**907-656.03.2.2--DMS Factory Acceptance Test (FAT).** The Contractor shall perform FAT on the DMS prior to shipping from the factory. The goal of the DMS FAT is to verify that the DMS meets the requirements of this special provision.

Factory Acceptance Tests shall be conducted at the Manufacturer or Contractor facility or at a facility acceptable to all parties. All equipment to be utilized for this project shall be subject to tests that demonstrate the suitability of the design and compliance with the contract requirements, unless an exception for an equipment item is granted by the Project Engineer. The tests shall be performed on production units identified to be delivered under this contract.

The FAT procedure shall demonstrate all requirements defined in these specifications are met, including, but not limited to: functional/system performance requirements, electrical

requirements, data transmission/communication requirements, safety/password requirements, environmental requirements, and interface requirements with other components of the project system.

The Project Engineer reserves the right to waive FATs which are deemed to be unnecessary and reserves the right to witness all FATs that are determined to be critical to the project. At a minimum, the Project Engineer and/or the Project Engineer's representative, will be in attendance at the FAT for the first three (3) units tested. The FAT for the first three (3) units shall be conducted during the same period. The Project Engineer shall be notified a minimum of forty- five (45) calendar days in advance of such tests. Salary and travel expenses of the Project Engineer and the Project Engineer representatives will be the responsibility of MDOT. In case of equipment or other failures that make a retest necessary, travel expenses of the Project Engineer and the Project Engineer's representatives shall be the responsibility of the Contractor. This shall include all costs including, but not limited to, airfare, automobile rental, lodging, and per diem. These costs, excluding airfare shall not exceed \$500.00, per representative, per day. These costs shall be deducted from payment due or charged to the withholding account of the Contractor when the project is terminated.

The vendor must complete the FAT on all remaining units on their own and submit documentation to the Project Engineer that the FATs were completed. The Project Engineer reserves the right to randomly attend those FAT tests.

No equipment for which a FAT is required shall be shipped to the project site without successful completion of factory acceptance testing as approved by the Project Engineer and the Engineer's approval to ship.

**907-656.03.2.3--DMS Pre-Installation Test (PIT).** The Contractor shall perform PIT on the DMS as they arrive from the factory. The goal of the DMS PIT is to verify that the DMS were not damaged during shipping. The PIT shall test or inspect the following DMS components:

- 1) External or internal visible damage
- 2) DMS display damage
- 3) Verify all pixels are operational
- 4) Verify the ventilation system works
- 5) Verify all equipment is secured
- 6) Verify sign configurations

**907-656.03.2.4--DMS Stand Alone Test (SAT).** The Contractor shall perform SAT on the DMS as they arrive from the factory. The goal of the SAT is to verify that the DMS has been properly installed and commissioned according to the manufacturer requirements. The SAT shall include at minimum the following tests and inspections:

- 1) Verify the signs have been attached properly to the structure.
- 2) Verify the sign case and roadside cabinet have been grounded.
- 3) Verify the sign has been properly connected to the power.
- 4) Verify the sign case has no structural damage or deformities.

- 5) Verify all pixels are operational
- 6) Verify local sign control through the serial port
- 7) Verify local sign control through the Ethernet port.

**907-656.03.2.5--DMS Sub-System Test (SST).** The Contractor shall perform SST on the DMS to verify that the sign is operational from central. The goal of the SST is to verify that all remote DMS functions and alarms are operational. The Contractor shall coordinate the SST with the MDOT ITS Engineer. The Contractor shall provide a SST plan to the MDOT ITS Engineer and be approved a minimum of two week in advance of tests being performed.

**907-656.03.2.6--Conditional System Acceptance Test (CSAT).** The Contractor shall perform a complete conditional system acceptance test on all equipment and materials in the project. The Contractor shall not request the conditional system acceptance test for a phase until the SATs have been satisfactorily completed, all as-built documentation has been submitted and approved, and all other project work has been completed to the satisfaction of the Engineer. Prior to a Conditional System Acceptance Test, the Contractor shall provide advance notice of and written test results documentation that the Contractor has performed a dry-run of the conditional system acceptance test, and the Engineer reserves the right to require attendance of a dry-run test session.

The Contractor shall test all project systems simultaneously from the TMC in a manner equivalent to the normal day-to-day operations of the system. The Conditional System Acceptance Test shall demonstrate that all equipment and materials in the network are in full compliance with all project requirements and fully functional as installed and in final configuration, communicating with and being controlled through the control center at the TMC. Upon completion and full approval of the Conditional System Acceptance Test for all equipment, Conditional System Acceptance will be given and the Burn-in Period will begin. The Contractor shall coordinate the CSAT with the MDOT ITS Engineer. The Contractor shall provide a CSAT plan to the MDOT ITS Engineer and be approved a minimum of thirty (30) calendar days in advance of tests being performed. The CSAT plan shall be inclusive of steps and procedures to be performed and scheduled times to perform test procedures.

**907-656.03.2.7--Burn-In Period.** Following the Engineer's written notice of successful completion of the Conditional System Acceptance Test, the entire newly installed system must operate successfully for a three (3) month burn-in period. During this burn-in period the Contractor shall be responsible for the full maintenance of the newly installed equipment. However, no separate payment will be made for the burn-in period activities and shall be included in the cost of other items. Successful completion of the burn-in period will occur at the end of three complete months of operation without a major system failure attributable to hardware, software or communications components. Each system failure during the burn-in period will require an additional month of successful operation prior to being eligible for Final Acceptance. (i.e., if there are two system failures during the initial three month period, the burn-in period would be increased to five (5) months.)

**Burn-In General Requirements**

- Determination of a system failure shall be at the sole discretion of the Engineer. System failure is defined as a condition under which the system is unable to function as a whole

or in significant part to provide the services as designed. While a single component failure will not constitute a system failure, chronic failure of that component or component type may be sufficient to be considered a system failure. Chronic failure of a component or component type is defined as 3 or more failures for the same component during the burn-in period.

- Components are defined as contract items or major material elements in a contract item. For electrical and electronic contract items, components are defined as the complete assembly of materials that makes up the contract item.
- Specifically exempted as system failures are failures caused by accident, acts of God, or other external forces that are beyond the control of the Contractor. However, failure of the contractor to respond to the repair request for that failure within 24 hours may be considered a system failure.
- The Department will advise the Contractor in writing when it considers that a system failure has occurred or chronic failure exists.
- If multiple system and/or chronic failures continue to occur throughout the burn-in period due to a single component type, the Contractor may be required to replace all units of that component type with a different model or manufacturer.
- The Contractor shall document all failures and subsequent diagnosis and repair. The repair documentation shall include as a minimum:
  - Description of the problem
  - Troubleshooting and diagnosis steps
  - Repairs made
  - List of all equipment and materials changed including serial numbers.
  - Update of the equipment inventory where needed.
- The Contractor shall provide the repair documentation to the Engineer within two (2) days of completing the repair; failure to provide acceptable documentation as required shall be reason to not approve the repair as complete. The Engineer will provide acceptance or rejection of the repair and documentation within seven (7) days.
- The Engineer reserves the right to require, at no additional expense to the State, the presence of a qualified technical representative of the equipment and/or software manufacturers as related to the diagnosis and/or repair of any system failure.
- During the burn-in period the Contractor shall perform incidental work such as touching up, cleaning of exposed surfaces, leveling and repair of sites, sodding/grassing and other maintenance work as may be deemed necessary by the Engineer to insure the effectiveness and neat appearance of the work sites.
- During the burn-in period the Engineer shall maintain a “burn-in period punch list” that contains required Contractor actions but that the Engineer does not define as a system failure. Each burn-in period punch list action item shall be completed by the Contractor to the Engineer’s satisfaction within seven (7) days of Contractor notification of the action item.

- During the burn-in period the Contractor is required to meet the following response times once notified there is a problem. A response is defined as being on-site to begin diagnosing the problem.
  - Monday thru Friday: The Contractor shall respond no later than 9:00 a.m. the following morning after being notified.
  - Weekends: If the Contractor is notified on Friday afternoon or during the weekend, the Contractor shall respond by 9:00 a.m. on Monday morning.
- During the burn-in period the Contractor shall provide all labor, materials, equipment and replacement parts to completely maintain, troubleshoot and repair all items installed under this contract. No separate payment will be made for any labor, materials, equipment or replacement parts needed during the burn-in period.
- The overall burn-in period will be considered complete upon the successful completion of the burn-in time periods, the Engineer's acceptance of all repairs and repair documentation, completion of all burn-in period punch list actions and a final inspection as described below.

**907-656.03.2.8--DMS Final Inspection.** Upon successful completion of the burn-in period, the project shall be eligible for the DMS final inspection. The DMS final inspection will be conducted provided the burn-in period has demonstrated the entire system is operating successfully. The DMS final inspection shall include but is not limited to;

- monitoring of all system functions at the TMC to demonstrate the overall system is operational
- a field visit to each site to ensure all field components are in their correct final configuration
- verification that all burn-in punch list items have been completed
- verification that all final cleanup requirements have been completed
- approval of final as-built documentation

Prior to conducting the DMS final inspection, the burn-in period shall demonstrate that all requirements defined in this Special Provision have been met.

The Contractor shall request in writing the Engineer's approval to start the DMS final inspection a minimum of 14 days prior to the requested start date. The Engineer reserves the right to reschedule the start date if needed. The start date for the DMS final inspection cannot be prior to the successful completion of the overall burn-in period.

An unsuccessful or incomplete DMS final inspection shall require a new DMS final inspection after the Contractor has made the necessary corrections. Up to 14 days shall be allowed for the Engineer to conduct a DMS final inspection.

The Engineer reserves the right to require, at no additional expense to the State, the attendance of a qualified technical representative of the equipment and/or software manufacturers to attend a

portion of a DMS final inspection. The presence of the MDOT ITS Engineer or his designee is required during the final inspection.

The Contractor shall be responsible for the full maintenance of all project equipment and materials during the entire time period from the successful completion of the burn-in period until Final System Acceptance is granted.

**907-656.03.2.9--Final System Acceptance.** Upon successful completion of the DMS final inspection, the Engineer will conduct a project final inspection in accordance with Subsection 105.16.2 of the Standard Specifications.

**907-656.03.3--Documentation.** DMS documentation shall meet all of the performance and testing requirements as outline in Section 12 of NEMA TS-4 standard.

**907-656.03.4--Warranty.** The DMS shall be warranted to be free of manufacturer defects in materials and workmanship for a period of one year from the date of Final Acceptance. Equipment covered by the manufacturer's warranties shall have the registration of that component placed in MDOT's name prior to Final Inspection. The Contractor is responsible for ensuring that the vendors and/or manufacturers supplying the components and providing the equipment warranties recognize MDOT as the original purchaser and owner/end user of the components from new. During the warranty period, the supplier shall repair or replace with new or refurbished material, at no additional cost to the State, any product containing a warranty defect, provided the product is returned postage-paid by the Department to the supplier's factory or authorized warranty site. Products repaired or replaced under warranty by the supplier shall be returned prepaid by the supplier. During the warranty period, technical support shall be available from the supplier via telephone within four hours of the time a call is made by the Department, and this support shall be available from factory certified personnel. During the warranty period, updates and corrections to control unit software shall be made available to the Department by the supplier at no additional cost.

**907-656.03.5--MDOT Employee Training.** Minimum Training Requirements are as follows:

- 1) The Contractor shall submit to the Project Engineer for approval a detailed Training Plan including course agendas, detailed description of functions to be demonstrated and a schedule. The Contractor must also submit the Trainer's qualifications to the Project Engineer for approval prior to scheduling any training. The training must include both classroom style training and hands-on training in the field of the maintenance and troubleshooting procedures required for each component. The training should also consist of a hands-on demonstration of all software configuration and functionality where applicable.
- 2) The supplier of the DMS shall, at a minimum, provide a sixteen-hour operations and maintenance training class with suitable documentation for up to eight (8) persons selected by the Department. This training shall include One (1) day of site device operation, maintenance, and configuration training for up to ten (10) individuals and One (1) day of on site system training at the TMC for up to ten (10) individuals that is separate from the above training and specifically for software control of the integrated devices. The operations and maintenance class shall be scheduled at a mutually acceptable time and location.

3) The training shall be approved two (2) week ahead of the scheduled date.

**907-656.03.6--Maintenance and Technical Support.** The supplier shall maintain an adequate inventory of parts to support maintenance and repair of the DMS. Spare parts shall be available for delivery within 30 days of placement of an acceptable order at the supplier's then current pricing and terms of sale of said spare parts.

**907-656.04--Method of Measurement.** Dynamic Message Sign will be measured per each DMS installation. Such installation shall be inclusive of furnishing, installing, system integration and testing of the complete dynamic message sign including the sign case, light sources, display apparatus, wiring, controller, roadside DMS cabinet, communications interface, wiring between the sign case and DMS cabinet, structure mounted conduit, fittings, and junction boxes, sign case support connections to the sign support structure, satisfactory completion of testing and training requirements and all work, equipment and appurtenances as required to effect the full operation including remote and local control of the sign complete in place and ready for use. It shall also include all system documentation including: shop drawings, operations and maintenance manuals, wiring diagrams, block diagrams, and other material necessary to document the operation of the DMS.

**907-656.05--Basis of Payment.** Dynamic Message Sign, measured as prescribed above, will be paid for at the contract unit price per each, which price shall be full compensation for all labor, tools, materials, equipment, training, manuals, materials and incidentals necessary to complete the work for a complete and functional DMS.

This work does not include the sign support structure.

Progress payments for Dynamic message signs shall be paid as follows:

- 1) 80% of the contract unit price upon completion of the installation and any standalone acceptance testing, and
- 2) 20% of the contract unit price upon final system acceptance.

Payment will be made under:

907-656-A: Dynamic Message Sign \* - per each

\* Type may be specified



## MISSISSIPPI DEPARTMENT OF TRANSPORTATION

| SPECIAL PROVISION NO. 907-657-11

CODE: (SP)

| DATE: 05/20/2014

SUBJECT: Fiber Optic Cable (OSP)

Section 657, Fiber Optic Cable (OSP), of the 2004 Edition of the Mississippi Standard Specifications for Road and Bridge Construction is hereby amended as follows.

Delete in total Section 657 beginning on page 541, and substitute the following.

### **SECTION 907-657 -- FIBER OPTIC CABLE (OSP)**

**907-657.01--Description.** The work shall consist of the construction of the infrastructure required to install, **relocate**, replace, or upgrade fiber optic cable. The infrastructure shall include all necessary conduits, pull boxes, pole line hardware, building entries, risers and fiber cable to make a complete system.

#### **907-657.02--Materials.**

**907-657.02.1--Single Mode Fiber Optic Cable (FO Cable).** The Contractor shall provide 72-count fiber optic cable that meets the following requirements:

- All-dielectric, outside plant, loose tube cable with central strength/anti-buckling member
- Dry water blocking materials and construction
- Reverse oscillating “SZ” stranded buffer tube construction
- High tensile strength yarn
- Medium density polyethylene outer jacket
- 72-fiber cable with six (6) active buffer tubes and 12 individual stranded fibers per buffer tube
- Cable construction design that allows no more than six (6) buffer tube positions
- Maximum diameter 0.48 inches
- Maximum weight 0.07 pounds per foot.

The Contractor shall provide a Corning ALTOS All-Dielectric, Pirelli FlexLink, OFS MiDia, or approved equivalent cable. This cable shall be designated as a trunk cable.

The Contractor shall ensure that the cable can withstand a maximum pulling tension of 600 pounds (lbf) during installation and 180 pounds (lbf) installed long term (at rest).

The cable shall have a shipping, storage and operating temperature range of -30°C to +70°C and installation temperature range of -30°C to +60°C.

The Contractor shall provide cable with outer jacket marking using the following template.

Manufacturer's Name - "Optical Cable" - Month/Year of Manufacture - Telephone Handset Symbol - "MDOT" - "72F SM"

The Contractor shall include in the outer jacket marking the cable sequential length in accordance with the following:

- In English units every two (2) feet
- Within -0/+1% of the actual length of the cable
- In contrasting color to the cable jacket
- Marking font height no less than 0.10 inch
- On any single length of cable on a reel, the sequential length markings do not run through "00000"

**907-657.02.2--Single Mode Fiber Optic Cable Indoor/Outdoor Riser Rated.** The Contractor shall provide fiber optic plenum rated cable that meets the following requirements when called for on the Plans:

- All-dielectric, inside plant, loose tube central core cable
- High tensile strength yarn surrounding the central tube core
- Dry water blocking materials and construction
- 72-fiber cable with six (6) active buffer tubes and 12 individual stranded fibers per buffer tube
- Corning Freedom LST All-Dielectric, Pirelli Centralink, or approved equivalent cables shall be provided. This cable shall be designated as the building entry cable.

The Contractor shall ensure that the cable can withstand a maximum pulling tension of 300 pounds (lbf) during installation.

The cable shall have a shipping, storage and operating temperature range of -30°C to +70°C and an installation temperature range of -10°C to +60°C shall be provided.

The Contractor shall provide cable with outer jacket marking using the following template.

Manufacturer's Name - "Optical Cable" - Month/Year of Manufacture - Telephone Handset Symbol - "MDOT" - "72F SM"

The Contractor shall include in the outer jacket marking the cable sequential length in accordance with the following:

- English units every two (2) feet.
- Within -0/+1% of the actual length of the cable
- Contrasting color to the cable jacket
- Marking font height no less than 0.10 inch
- The sequential length markings do not run through "00000" on any single length of cable on a reel

**907-657.02.3--Single Mode Fiber Optic Drop Cable (SM FO Drop Cable).** The Contractor shall provide 12-count Single Mode Fiber, Pre-Terminated Drop Cable Assemblies. These assemblies shall be employed when connecting a camera, traffic controller, DMS or other device to the main cable.

Assemblies shall be factory assembled and terminated on one end with ceramic ferrule, LC compatible, heat cured epoxy connectors with an operational temperature of  $-40^{\circ}\text{C}$  to  $+70^{\circ}\text{C}$ . Each connector shall have a minimum of a 1-inch strain relief boot.

Insertion loss for each connector shall not exceed 0.30 dB.

Return loss for single mode connectors shall be greater than 45 dB.

Each assembly shall be fully tested and those test results placed on a test tag for each assembly.

Each assembly shall be individually packaged within a box or reel, with the submitted manufacturer's part number marked on the outside of the package.

Individual 250- $\mu\text{m}$  coated fibers shall be up-jacketed to 1/8-inch using fan-out tubing. This tubing shall contain a 900- $\mu\text{m}$  Teflon inner tube, aramid yarn strength members and an outer jacket.

The fan-out tubing shall be secured to the cable in a hard epoxy plug transition. Length of the individual legs shall be a minimum of three feet with the length difference between the shortest and longest legs of the assembly being no more than two inches.

The 12-Fiber, Pre-terminated Drop Cable Assemblies provided shall meet the following minimum requirements:

- All-dielectric, outside plant, loose tube central core cable shall be used
- High tensile strength yarn surrounding the central tube core
- Dry water blocking materials and construction
- Twelve (12) individual stranded fibers contained within the central tube core
- Corning Freedm LST All-Dielectric, Pirelli Centralink, or approved equivalent cables shall be used. This cable shall be designated as the drop cable

The Contractor shall ensure that the cable can withstand a maximum pulling tension of 300 pounds (lbf) during installation.

The cable shall have a shipping, storage and operating temperature range of  $-30^{\circ}\text{C}$  to  $+70^{\circ}\text{C}$  and an installation temperature range of  $-10^{\circ}\text{C}$  to  $+60^{\circ}\text{C}$ .

The Contractor shall provide cable with outer jacket marking using the following template.

Manufacturer's Name - "Optical Cable" - Month/Year of Manufacture - Telephone Handset Symbol - "MDOT" - "12F SM"

The Contractor shall include in the outer jacket marking the cable sequential length in accordance with the following:

- English units every two (2) feet
- Within -0/+1% of the actual length of the cable
- Contrasting color to the cable jacket
- Marking font height no less than 0.10 inch
- The sequential length markings do not run through "00000" on any single length of cable on a reel

**907-657.02.4--Multimode Fiber Optic Drop Cable (MM FO Drop Cable).** The Contractor shall provide 12-count Multimode Fiber, Pre-Terminated Drop Cable Assemblies. These assemblies shall be employed when connecting a camera, traffic controller, DMS or other device to the main cable.

Cable Assembly shall be rated for outdoor environment and have operational temperature of -40°C to +70°C. Each connector shall have a minimum of a 1-inch strain relief boot. The Cable Assembly shall also be pre-terminated on one end.

Insertion loss for each connector shall not exceed 0.30 dB.

Fiber loss shall not exceed 3dB/km for 850 nm and 1 dB/km for 1300 nm.

Each assembly shall be fully tested and those test results placed on a test tag for each assembly.

Each assembly shall be individually packaged within a box or reel, with the submitted manufacturer's part number marked on the outside of the package.

The fan-out tubing shall be secured to the cable in a hard epoxy plug transition. Length of the individual legs shall be a minimum of three feet with the length difference between the shortest and longest legs of the assembly being no more than two inches.

The 12-Fiber, Pre-terminated Drop Cable Assemblies provided shall meet the following minimum requirements:

- All-dielectric, outside plant, loose tube central core cable shall be used
- High tensile strength yarn surrounding the central tube core
- Dry water blocking materials and construction
- Twelve (12) individual stranded fibers contained within the central tube core
- Corning Freedom LST All-Dielectric, Pirelli CentralLink, or approved equivalent cables shall be used. This cable shall be designated as the drop cable

The Contractor shall ensure that the cable can withstand a maximum pulling tension of 300 pounds (lbf) during installation.

The cable shall have a shipping, storage and operating temperature range of -30°C to +70°C and an installation temperature range of -10°C to +60°C.

The Contractor shall provide cable with outer jacket marking using the following template.

Manufacturer's Name - "Optical Cable" - Month/Year of Manufacture - Telephone Handset  
Symbol - "MDOT" - "12F MM"

The Contractor shall include in the outer jacket marking the cable sequential length in accordance with the following:

- English units every two (2) feet
- Within -0/+1% of the actual length of the cable
- Contrasting color to the cable jacket
- Marking font height no less than 0.10 inch
- The sequential length markings do not run through "00000" on any single length of cable on a reel

**907-657.02.5--Plenum Rated Nonmetallic Corrugated Raceway.** The Contractor shall provide plenum rated nonmetallic corrugated raceway inside buildings when cable is not in rigid conduit when called for on the plans.

The installation shall conform to NEC articles 770 and 800.

Raceway shall meet UL Standards 910 and 2024.

The Contractor shall provide 2-inch diameter raceway unless larger is called for in the plans.

The Contractor shall provide Fiber Optic Fusion Splice (FO Splice Fusion) for splicing of all fibers with a fully automatic portable fusion splicer that provides consistent low loss (max 0.10 dB) splices.

SPLICER shall provide three-axis fiber core alignment using light injection and loss measurement techniques.

The fusing process shall be automatically controlled.

The splicer shall provide splice loss measurements on an integral display, as well as a magnified image of the fiber alignment.

The Contractor shall retain ownership of the fusion splicer.

**907-657.02.6--Fiber Optic Connectors.** The Contractor shall provide fiber optic connectors for all fiber optic infrastructures including but not limited to fiber optic termination cabinets, fiber optic drop panels, and fiber optic patch cords.

The Contractor shall provide only factory-installed keyed LC compatible connectors for all fiber optic infrastructures.

Field-installed connectors shall not be used.

Adapter couplers shall not be used to change connector types.

Ceramic ferule connectors, factory-installed, with a thermal-set heat-cured epoxy and machine polished mating face shall be used.

Connectors shall be installed as per manufacturer application and recommendations, including proper termination to the outer-tubing (900-micron tubing, 3-mm fan out tubing, etc.) required for the application.

Connectors rated for an operating temperature of -40°C to +75 °C shall be used.

Simplex connectors for all male LC connectors shall be used and a latching cover for two male connectors being used in a duplex configuration shall be provided. Female couplers may be duplex but must allow simplex mating connectors.

Dust caps shall be provided for all exposed male connectors and female couplers at all times until permanent connector installation.

**907-657.02.7--Fiber Optic Termination Cabinet (FO Termination Cabinet).** Fiber optic termination cabinets shall be provided in communications hubs, field junctions, and the MDOT Traffic Management Center (TMC) as shown in the Plans for termination of 72-fiber outside plant (OSP) cable.

The Contractor shall provide wall/shelf mount 12-fiber distribution cabinet equipped with fiber optic connector modules in a 12-fiber configuration. These will be used in field equipment and communication cabinet locations.

Termination cabinets with cable management features included shall be provided.

The Contractor shall use termination cabinets that are fully compatible with all components of the fiber optic infrastructure as specified, including, but not limited to, fiber optic cable, fiber optic fusion splices and fiber optic connectors.

The Contractor shall provide rack-mount termination cabinets designed to fit standard 19-inch EIA equipment racks.

The Contractor shall provide all mounting hardware and supports to mount the termination cabinets in the locations shown in the Plans.

The Contractor shall provide fiber optic termination cabinets providing 72-fiber connectors and capable of storing 72 fusion splices in splice trays.

The Contractor shall provide termination cabinets that integrate the splice trays and connector modules into one compartment within one cabinet, or houses the splice trays and connector modules in separate compartments integrated into one cabinet.

The maximum dimensions of a complete termination cabinet shall be 7-rack units, 12.25 inches high by 16 inches deep.

Fiber optic termination cabinets shall be fully enclosed metallic construction with a protective hinged front cover for the connector ports.

The cabinet shall have cable access on all sides of the enclosed area behind the connector port panel.

The Contractor shall provide sufficient splice trays for storing 72 fusion splices in 12 or 24-splice increments.

The Contractor shall provide termination cabinets with fiber optic connector modules in a 12 fiber configuration of six (6) rows of one (1) duplex connector couplers. Connector modules shall mount vertically in the termination cabinet front panel.

Connector modules shall include clearly legible and permanent labeling of each of the 12 fiber connector couplers, and shall be labeled and identified as shown in the Plans.

The Contractor shall provide factory-assembled 12-fiber termination interconnect cables (pigtail cables) to be fusion spliced to the outside plant or indoor cable and connected to the rear of the connector modules.

Termination interconnect cables shall be all-dielectric, single jacketed cable with high tensile strength yarn surrounding 12 individual 900-micron fibers following EIA/TIA-598B color identification with factory-installed connectors.

The Contractor shall provide all incidental and ancillary materials including but not limited to grommets, cable strain relief and routing hardware, blank connector panels and labeling materials.

The cable shall be new (unused) and of current design and manufacture.

**907-657.02.8--OSP Closures for Aerial, Pole Mount, Pedestal and Hand Hold Environments.** OSP closures for aerial, pole mount, pedestal and hand hole shall be capable of accepting up to eight cables. The closures shall be capable of storing up to eight 90-inch lengths of expressed buffer tubes and up to 96 splices.

Assembly shall be accomplished without power supplies, torches, drill kits or any special tools. Re-entry shall require no additional materials.

Sealing shall be accomplished by enclosing the splices in a polypropylene case that is clamped together with a stainless steel latch and sealed with an O-ring.

Closure shall be capable of strand mounting with the addition of a strand mounting bracket.

Splice case shall be non-filled, non-encapsulate to prevent water intrusion, and shall allow re-entry without any special tools.

The closure shall be capable of preventing a 10-foot water head from intruding into the splice compartment for a period of seven (7) days.

It is the responsibility of the Contractor to ensure that the water immersion test has been performed by the manufacturer or an independent testing laboratory, and the appropriate documentation has been submitted to the Engineer.

**907-657.02.9--OSP Closures for Drop Cable Splice Points.** OSP closures for aerial, pole mount, pedestal and hand hold shall be capable of accepting the trunk cable and two drop cables. The closures shall be capable of storing up to eight 90-inch lengths of expressed buffer tubes and up to 48 splices.

Assembly shall be accomplished without power supplies, torches, drill kits or any special tools. Re-entry shall require no additional materials.

Sealing shall be accomplished by enclosing the splices in a polypropylene case that is clamped together with a stainless steel latch and sealed with an O-ring.

Closure shall be capable of strand mounting with the addition of a strand mounting bracket.

Splice case shall be non-filled, non-encapsulate to prevent water intrusion, and shall allow re-entry without any special tools.

The closure shall be capable of preventing a 10-foot water head from intruding into the splice compartment for a period of seven days.

It is the responsibility of the Contractor to ensure that the water immersion test has been performed by the manufacturer or an independent testing laboratory, and the appropriate documentation has been submitted to the Engineer.

**907-657.02.10--Patch Cords and Jumper Cables.** Any patch cords or jumper cables required to connect the new fiber and equipment at existing locations shall be considered incidental and shall be included in the cost of pay items 907-657-A and 907-657-B.

Any patch cords used for system configuration shall be compatible with fiber types and connectors specified herein.

Single-mode patch cords shall be yellow in color.

Jacketing material shall conform to the appropriate NEC requirement for the environment in which installed.

All cordage shall incorporate a 900- $\mu$ m buffered fiber, aramid yarn strength members and an outer jacket.

Patch cords may be simplex or duplex, depending on the application.



Attenuation shall be less than 1.0 dB/km @ 1310 nm, 0.75 dB/km @ 1550 and have a total attenuation of less than .5 dB.

The Contractor shall be responsible to determine and provide attenuators with the proper attenuation to not exceed the optical budgets of the equipment connected by patch cables.

**907-657.02.11 Cable Labels.** The Contractor shall provide cable labels that meet the following requirements:

- Self-coiling wrap-around type
- PVC or equivalent plastic material with UV and fungus inhibitors
- Base materials and graphics/printing inks/materials designed for underground outside plant use including solvent resistance, abrasion resistance and water absorption
- Minimum size of 2.5 inches wide by 2.5 inches long
- Minimum thickness of 0.010 inches
- Orange label body with pre-printed text in bold black block-style font with minimum text height of 0.375 inches
- The Contractor shall pre-print the following text legibly on labels used for all fiber optic trunk cables:

Caution Fiber Optic Cable Mississippi Department of Transportation (601) 359-1454

- The Contractor shall pre-print the following text legibly on labels used or all fiber optic drop cables (FO Drop Cable):

Caution Fiber Optic Drop Cable Mississippi Department of Transportation (601) 359-1454

- On all cable labels, the Contractor shall print the text specified above twice on the label with the text of the second image inverted. The end result shall be text which “reads correctly” when the label is coiled onto a cable.

**907-657.02.12--Cable Markers.** The Contractor shall provide low profile soil cable markers which meet the following requirements:

- 3.5 inches in diameter
- UV stabilized for Maximum fade resistance
- Durable and abrasion resistant
- Lawn mower resistant
- Orange in color
- Printed Legend:

Fiber Optic Cable  
Mississippi Department of Transportation  
Traffic Engineering Division (601)359-1454

The Contractor shall install cable markers with a 13-inch nylon stake every 500 feet along the fiber run.

**907-657.02.13--Conduit Detection Wire.** Conduit detection wire shall be #10 AWG stranded copper, orange-insulated, THHN -THWN conductor.

The Contractor shall furnish and install a detection wire surge protection system. The Contractor shall ensure that detection wires are attached to a surge protection system designed to dissipate high transient voltages or other electrical surges.

The Contractor shall ensure that the detection wire surge protection system is grounded to a driven rod within 10 feet of the system using AWG #6 single conductor wire. Grounding must be done through a stand alone system not connected to power or ITS device grounding.

The Contractor shall ensure that the surge protection system normally allows signals generated by locate system to pass through the protection system without going to ground.

**907-657.02.14--Project Submittal Program Requirements.** The Contractor shall provide project submittals for all fiber optic infrastructures. The project submittals for fiber optic infrastructure shall include all items in this provision and any additional requirements included in any Notice to Bidders.

The Contractor shall provide project submittals including manufacturer recommended operations, maintenance and calibration procedures for the following equipment:

- Fiber optic installation and testing tools
- Fusion splicers
- Cable pulling strain dynamometers and breakaway links
- Cable air jetting/blowing systems
- OTDRs
- Optical attenuation testers (light sources and power meters)

The Contractor shall submit documentation and proof of manufacturer recommended operator training and certification for the following equipment:

- Fusion splicers
- Cable air jetting/blowing systems
- OTDRs
- Optical attenuation testers (light sources and power meters)

**907-657.03--Construction Requirements.** All equipment shall be installed according to the manufacturer's recommendations, the Plans and as follows.

**907-657.03.1--General Requirements.**

- a) The Contractor shall install all fiber optic infrastructures according to the manufacturer's recommended procedures and specifications.

- b) The Contractor shall provide all necessary interconnections, services and adjustments required for a complete and operable data transmission system.
- c) The Contractor shall install all fiber truck, drop, and patch cables such that attenuation shall be less than 1.0 dB/km @ 1310 nm, 0.75 dB/km @ 1550.
- d) All pole attachments, service loops and conduit risers shall be placed to minimize the possibility of damage as well as to facilitate future expansion or modernization.
- e) The cable shall be installed in continuous runs as indicated on the plans. Splices shall be allowed only at drop points or reel end points specified in the plans.
- f) At drop locations only, those fibers necessary to complete the communication path shall be spliced. Other fibers in the cable(s) shall be left undisturbed, with a minimum of five feet of buffer tube coiled inside the closure.
- g) Sufficient slack shall be left at each drop point to enable access of the cable components and splicing to occur on the ground. This is typical two times the pole height plus 15 feet.
- h) For aerial installations, the following minimum slack requirements shall apply:
  - For aerial slack storage at splice points, a radius controlling device, commonly referred to as a SNO-SHOE, shall be used for securing resulting cable slack at aerial splice points and shall be mounted directly to the strand.
  - For aerial cable runs exceeding 6-pole spans between splice points as indicated on the plans, two opposing SNO-SHOES shall be placed on the span 50 feet apart to provide for a 100-foot service loop for future drops and for slack for repair and pole relocations.
- i) Drop cable shall be routed to the controller cabinets via conduit risers as illustrated in the plans. The cable entrance shall be sealed with a duct plug designed for fiber optic cable to prevent water ingress.
- j) The minimum requirement for fiber protection outside a fiber optic enclosure in ALL cases shall be 1/8-inch fan-out tubing, containing a hollow 900- $\mu$ m tube, aramid strength members and an outer jacket, and shall be secured to the cable sheath.
- k) The minimum requirement for fiber protection inside wall mount or rack mount fiber enclosure shall be 900- $\mu$ m buffering, intrinsic to the cable in the case of tight buffered fibers, or in the case of 250- $\mu$ m coated fibers, a fan-out body and 900- $\mu$ m tubing secured to the buffer tube(s).
- l) During installation, even if the tension specifications for the cable are not exceeded, the first ten feet shall be discarded.
- m) Warning tape shall be placed 12 inches above the cable not to deviate  $\pm$ 18 inches from the centerline of the optical cable. Warning tape shall be at least two inches wide and colored orange.

**907-657.03.2--Cable Shipping and Delivery.** The cable shall be packaged on reels for shipment. Each package shall contain only one continuous length of cable. The packaging shall be constructed as to prevent damage to the cable during shipping and handling.

Both ends of the cable shall be sealed to prevent the ingress of moisture.

A weatherproof reel tag shall be attached to each reel identifying the reel and cable so that it can be used by the manufacturer to trace the manufacturing history of the cable and the fiber. A cable data sheet shall be included with each reel containing the following information:

- Manufacturer name

- Cable part number
- Factory order number
- Cable length.
- Factory measured attenuation of each fiber

The Contractor shall cover the cable with a protective and thermal wrap.

The outer end of the cable shall be securely fastened to the reel head so as to prevent the cable from becoming loose in transit. The inner end of the cable shall be projected a minimum of 6.5 feet into a slot in the side of the reel, or into housing on the inner slot of the drum, in such a manner as to make it available for testing.

Each reel shall be plainly marked to indicate the direction in which it is to be rolled to prevent loosening of the cable on the reel.

**907-657.03.3--Cable Handling and Installation.** The Contractor shall not exceed the maximum recommended pulling tension during installation as specified by the cable manufacturer.

The Contractor shall continuously monitor pulling tensions with calibrated measuring devices, such as a strain dynamometer.

The Contractor shall ensure that the minimum depth of the cable is a minimum of 36 inches unless shown otherwise in plans.

All pulled installations shall be protected with calibrated breakaway links.

The Contractor shall ensure that the minimum recommended bend radius is not exceeded during installation as specified by the cable manufacturer. Unless the manufacturer's recommendations are more stringent, the following guidelines shall be used for minimum bend radius:

- 20 X Cable Diameter Short Term - During Installation
- 10 X Cable Diameter Long Term - Installed

Before cable installation, the cable reels and reel stands shall be carefully inspected for imperfections or faults such as nails that might cause damage to the cable as it is unreeled.

All necessary precautions shall be taken to protect reeled cable from vandals or other sources of possible damage while unattended. Any damage to reeled cable or the reel itself shall necessitate replacement of the entire cable section at no additional cost to the State.

Whenever unreeled cable is placed on the pavement or surface above a pull box, the Contractor shall provide means of preventing vehicular or pedestrian traffic through the area in accordance with the safe maintenance of traffic provisions.

The cable shall be kept continuous throughout the pull. Cable breaks and reel end splices are permitted only in Type 5 pull boxes and occur at a minimum of 10,000 feet.

Where a cable ends in an underground fiber optic closure, all unused fibers and buffer tubes shall be secured and stored in splice trays in preparation for future reel end splicing and continuation.

**907-657.03.4--Cable Storage.** The Contractor shall properly store all cable to minimize susceptibility to damage. The proper bend radius shall be maintained, both short and long term, during cable storage.

Storage coils shall be neat in even length coils, with no cross over or tangling.

Storage coils of different cables shall be kept completely separate except when the cables terminate in the same splice closure.

Storage coils shall be secured to cable racking hardware with tie wraps, Velcro straps, or non-metallic cable straps with locking/buckling mechanism. No adhesive or self-adhering tapes, metal wires and straps, or rope/cord shall be used to secure coils.

Unless otherwise noted on the plans, the following are the requirements for cable storage for underground applications:

- Trunk cable in Type 4 pull box ..... 25 feet
- Trunk cable in Type 5 pull box ..... 200 feet
- Drop cable in Type 4 pull box ..... 10 feet
- Drop cable in Type 5 pull box, not terminated in a splice closure ..... 10 feet
- Drop cable in Type 5 pull box, terminated in a splice closure with the trunk cable ..... 100 feet
- Trunk cable end in Type 5 pull box ..... 200 feet
- Drop cable terminated in same splice closure as trunk cable end ..... 200 feet

The Contractor shall label each pull box with a numbered disk obtained from the Traffic Engineering Division. The disk shall be installed in accordance with the manufactures specification on the lid of each pull box. Numbers shall be noted on the As-Built plans for each pull box.

No slack cable shall be stored inside the communications hub building or Control Center.

**907-657.03.5--Cable Labels.** Cable labels shall be installed on all trunk and drop fiber optic cables. The installed cable shall be cleaned of all dirt and grease before applying any label.

The Contractor shall label all cables in or at every location where the cable is exposed outside of a conduit, innerduct or pole using the cable IDs for trunk cables or the device number for drop cables.

As a minimum, cable labels shall be installed in the following locations:

- Within 12 inches of every cable entry to a pull box, equipment cabinet, communications hub, or the TMC

- Within 12 inches of the exterior entry point of every fiber optic splice closure, termination cabinet and drop panel
- Every 30 feet for the entire length of cable in any storage coil in pull boxes
- Within one (1) foot of every pole attachment
- On every riser
- On every splice enclosure

**907-657.03.6--Conduit Detection Wire.** The Contractor shall install one conduit detection wire in all conduit banks. Conduit detection wire is required in all conduit banks installed by any installation method, including trenching, directional boring or plowing.

Only one conduit detection wire is required per installed conduit bank regardless of the number of conduits installed in that segment. Conduit detection wire shall be installed inside the conduit.

Conduit detection wire is not required for structure mounted conduit, except where underground segments of structure mounted conduit are greater than 20 feet in length.

The conduit detection wire shall be continuous and unspliced between pull boxes and shall enter the pull boxes at the same location as the conduit with which it is installed, entering under the lower edge of the pull box.

Four (4) feet of conduit detection wire shall be coiled and secured in each pull box or vault.

When two or more detection wires are in any pull box, the Contractor shall mechanically splice all detection wire together.

Conduit detection wire is required in drop cable conduits.

A detection wire surge protection system shall be furnished and installed. Detection wires shall be attached to surge protection systems designed to dissipate high transient voltages or other electrical surges. The detection wire surge protection system shall be grounded to a driven rod within 10 feet of the system using AWG #6 single conductor wire. Grounding shall be done through a stand alone system not connected to power or ITS device grounding. The surge protection system shall normally allow signals generated by locate system to pass through the protection system without going to ground.

**907-657.03.7--Splicing into Existing Fiber Optic Cable.** At some locations, the Contractor may be required to splice new drop cable into existing fiber optic cable at existing pull boxes. The Contractor is responsible to protect all existing fiber during this work. No separate payment shall be made for splicing into the existing fiber. The cost for all fiber optic work and equipment shall be included in the bid price for pay items 907-657-A and 907-657-B.

The Contractor must notify the Project Engineer in writing no less than ten (10) days in advance of doing any work to existing fiber optic cable. Before any work can begin the Contractor must have obtain approval from the Project Engineer.

**907-657.03.8--Replace Fiber Optic Cable.** [In locations specified in the Plans or as directed by](#)

the Project Engineer, the Contractor shall be required to relocate existing fiber optic cable. This relocation shall include lowering the fiber optic cable and conduit in areas where the conduit is exposed or has minimal cover due to construction earthwork activities. The fiber optic cable and conduit will need to be lowered to the required depth indicated on the details included in the Plans or as directed by the Project Engineer to maintain minimum cover. The Contractor will be required to adjust pull boxes in areas of cable/conduit relocation to finish grade, no additional payment will be made for this work. The cost for relocating existing fiber optic cable, trenching for relocation, lowering conduit, adjusting pull boxes, and all incidentals necessary to complete this work shall be included in the cost for pay item 907-657-D

**907-657.03.9--Replace Fiber Optic Drop Cable.** In locations specified in the Plans, the Contractor shall be required to remove and replace existing fiber optic drop cable with new fiber optic drop cable. The new fiber optic drop cable shall be an equivalent cable having the same cable type, assembly, connectors, size, construction, buffer tube construction, temperature characteristics, tensile strength, and optical characteristics. The cable type and mode shall be the same unless specified as otherwise in the Plans or Notice to Bidders. The new cable shall be a compatible replacement having equivalent or improved link characteristics. The Contractor is required to install the cable as per manufacturer application and recommendations and adhere to the Installation Requirements and Testing specifications as stated herein. No separate payment will be made for this work. The cost for pulling new fiber optic drop cable for cable replacement, and splicing/terminating all fibers shall be included in the cost of pay item 907-657-F.

**907-657.03.10--Upgrade Fiber Optic Cable.** In locations specified in the Plans, the Contractor shall be required to upgrade existing fiber optic cable to new cable that adheres to the respective cable specification and requirements. The cable type and mode shall be the same unless specified as otherwise in the Plans or Notice to Bidders. The cable upgrade shall be treated as a new cable installation and adhere to all corresponding specifications and requirements stated herein. No separate payment will be made for this work. The cost for pulling new fiber optic to upgrade existing cable, and splicing/terminating all fibers shall be included in the cost of pay item 907-657-G.

**907-657.03.11--Fiber Optic Connections at Existing Communication Nodes.** In some locations, the Contractor shall be required to pull new fiber optic cable into an existing communications hut. No separate payment will be made for this work. The cost for pulling the fiber into the hut, providing and installing the termination equipment, and terminating all the fibers shall be included in the cost of pay items 907-657-A and 907-657-B.

**907-657.03.12--Drop and Insert Applications.** The signal from the TMC to local controllers, cameras, and/or dynamic message signs will be conveyed via the backbone and branch cables.

The appropriate closure (Subsection 907-657.02.8) shall be used.

A 12-port fiber distribution cabinet and appropriate jumper shall be installed within the cabinet at locations approved by the Engineer.

At each device, the applicable fibers will be routed in and out of the equipment cabinet using a pre-terminated drop cable.



Only fibers required for the drop and insert shall be cut, no other fibers in the cable shall be cut without the approval of the Engineer.

The fibers shall be connected to the transmission equipment via LC/LC fiber optic patch cables.

The drop cable shall be routed in a position that will allow access to all installed components without movement of the cable.

In traffic signal control boxes the drop cable shall be routed up the left rear corner to a shelf mounted fiber optic termination cabinet.

In ITS equipment or communication cabinets the cable shall be routed neatly allowing for service of all installed components.

**907-657.03.13--Testing.**

**907-657.03.13.1--General Requirements.** The project testing program for fiber optic infrastructure shall include but is not limited to the specific requirements in this subsection.

All test results shall confirm physical and performance compliance with this TSP including but not limited to optical fibers and fusion splices. No event in any given fiber may exceed 0.10 dB. Any event measured above 0.10 dB shall be replaced or repaired at the event point.

The Contractor shall provide the tentative date, time and location of fiber optic infrastructure testing no less than seven (7) days in advance of the test. The Contractor shall provide confirmed date, time and location of fiber optic infrastructure testing no less than 48 hours before conducting the test.

The Contractor shall provide test results documentation in electronic format (3 copies) and printed format (3 copies). Electronic formats shall be readable in Microsoft Excel or other approved application. Printed copies shall be bound and organized by cable segment.

- Two sets are for the Traffic Engineering ITS Department
- One set are for the Engineer

All test results shall be provided in English units of measure of length.

All test results documentation shall be submitted to the Engineer within 14 days of completion of the tests.

The ITS Engineer, Project Engineer and/or their designee(s) are only responsible for attending and observing each test, and reviewing and approving the Contractor's test results documentation. The ITS Engineer, Project Engineer and/or their designee(s) reserve the right to attend and observe all tests. The Contractor is required to perform the Pre-Installation test and the Standalone Acceptance test with the MDOT ITS Engineer or his designee present.

**907-657.03.13.2--Pre-Installation Test (PIT).** The Contractor shall perform a PIT on all FO



Cable prior to any cable removal from the shipping reels.

The Contractor shall perform a PIT on each cable reel delivered to the job site.

The PIT for FO Cable shall include but is not limited to:

- A visual inspection of each cable and reel
- An OTDR Test and documentation as required in the Standalone Acceptance Test (SAT) for three randomly selected fibers from each buffer tube

An Optical Attenuation Test is not required. However, if the Contractor decides to perform one of these tests for his or her own protection, it should be documented and provided to the Engineer.

**907-657.03.13.3--Standalone Acceptance Test (SAT)**. The Contractor shall perform an SAT on all fiber optic infrastructures on this project after field installation is complete, including but not limited to all splicing and terminations. All fiber in pull boxes shall be in its final position mounted to the racks prior to the start of testing.

An SAT for each fiber in each cable shall include OTDR Tests and Optical Attenuation Tests.

For the Attenuation Tests, all fibers in all FO Cables and FO Drop Cables shall be tested from termination point to termination point, including:

- Fibers from FO Termination Cabinet to FO Termination Cabinet
- Fibers from FO Termination Cabinet to FO Drop Panel
- Fibers from FO Drop Panel to FO Drop Panel
- Fibers from FO Termination Cabinet to the end of the cable run in the last FO closure

All test results shall confirm compliance with this TSP including but not limited to optical fibers and fusion splices. No event in any given fiber may exceed 0.10 dB. Any event measured above 0.10 dB shall be replaced or repaired at the event point.

Test documentation shall include but is not limited to:

- Cable & fiber identification
- Cable & fiber ID and location - Physical location (device ID and station number of FO Termination Cabinet, FO Drop Panel, or cable end FO closure), fiber number, and truck or drop cable ID for both the beginning and end point
- Operator name
- Engineer's representative
- Date & time
- Setup and test conditions parameters
- Wavelength
- Pulse width Optical Time Domain Reflectometer (OTDR)
- Refractory index (OTDR)
- Range (OTDR)

- Scale (OTDR)
- Ambient temperature
- Test results for OTDR test (each direction and averaged)
- Total fiber trace (miles)
- Splice loss/gain (dB)
- Events > 0.05 dB
- Measured length (cable marking)
- Total length (OTDR measurement)
- Test results for attenuation test (each direction and averaged)
- Measured cable length (cable marking)
- Total length (OTDR measurement from OTDR test)
- Number of splices (determined from as-builts)
- Total link attenuation

The OTDR Test shall be conducted using the standard operating procedure and recommended materials as defined by the manufacturer of the test equipment.

The Contractor shall use a factory patch cord ("launch cable") of a length equal to the "dead zone" of the OTDR to connect the OTDR and the fiber under test.

Bi-directional OTDR tests shall be conducted and bi-directional averages calculated for each fiber.

All tests shall be conducted at 1310 and 1550 nm for single mode cable.

The Contractor shall conduct the Optical Attenuation Test using the standard operating procedure and recommended materials as defined by the manufacturer of the test equipment.

Bi-directional Optical Attenuation tests shall be conducted and bi-directional averages calculated for each fiber.

A continuity or tone test shall be performed after installation to confirm that a continuous run of conduit detection wire was installed between pull boxes or vaults.

The Contractor shall prepare a test plan, supply equipment, conduct the test and document the results.

The test plan shall be submitted at least 15 working days prior to the desired testing date.

Testing shall not begin until the Engineer has approved the test plan, and all tests shall be conducted in the presence of the Engineer. The Traffic Engineering ITS Department representative shall be notified of the testing dates and invited to observe all testing.

The Traffic Engineering ITS Department may perform additional testing of any and all infrastructure using their own equipment. The Contractor may observe this testing.

The burn in period can not start until the Traffic Engineering ITS Department is satisfied with

the installation.

**907-657.03.14--Documentation - As-Built Plans.** The Contractor shall provide GPS locations of all pull boxes, splices, termination equipment cabinets, DMS, CCTV, Detectors and all pole locations.

The Contractor shall record the sequential footage markers from the fiber optic trunk and drop cables for each GPS location.

The Contractor shall provide scanned PDF files of all plan sheets with pen and ink markups.

The Contractor shall also provide MDOT with an electronic file containing all of the data and test reports required above in a format that is compatible with Microsoft Excel.

A copy of all documentation shall be provided to the MDOT Traffic Engineering ITS Department and Project Office

The Contractor shall provide a site location inventory of ITS devices to include manufacturer model, serial numbers, and quantity. It shall also include the following:

- OTN Nodes and OTN Cards
- Fiber modems
- Video Encoders and Decoders
- Cameras
- Dome Camera housings
- DMS Signs
- Any other serial numbered devices installed

**907-657.03.15--MDOT Employee Training.** Minimum training requirements are as follows:

- 1) After the installation is complete, the Contractor shall provide formal classroom training and "hands-on" operations training for proper operation and maintenance of the fiber optic plant. The training shall be provided for up to six personnel designated by the Engineer and shall be a minimum of one day in duration. The training shall cover as a minimum preventive maintenance, troubleshooting techniques, fault isolation and OTDR trace analysis. All training materials shall be provided by the Contractor.
- 2) A Training Plan shall be submitted within 90 days of the Notice-to-Proceed. Approval of the Plan shall be obtained from the Engineer and the Traffic Engineering ITS Department. A detailed explanation of the contents of the course and the time schedule of when the training shall be given shall be included in the Training Plan.
- 3) Prior to training, the Contractor shall submit resume and references of the training instructor(s) along with an outline of the training course in a Training Plan. Training instructor(s) shall be manufacturer-certified, experienced in the skill of training others. The training shall be conducted by a trainer with a minimum of four years of experience in training personnel on the operation and maintenance of fiber optic systems.
- 4) The Contractor shall furnish all handouts, manuals and product information for the training. The same models of equipment furnished for the project shall be used in the training. The

Contractor shall furnish all media and test equipment needed to present the training. Training shall be conducted in the Jackson area.

**907-657.04--Method of Measurement.** Fiber optic cable of the type specified will be measured by the linear foot, measured horizontally along the conduit, aerially along the messenger cable, or from the trunk line to the controller cabinet. No differentiation will be made for cable installed underground or aerially.

Fiber optic cable relocation, replacement, and upgrade will be measured by the linear foot, measured horizontally along the conduit, aerially along the messenger cable, or from the trunk line to the controller cabinet. No differentiation will be made for cable installed underground or aerially.

The cost for all fiber optic work, equipment and testing shall be included in the bid price for fiber optic cable.

All required cabinet facilities shall not be measured for separate payment. All standard or special fiber optic modems, fan out boxes, connectors, terminations cabinets, patch cords, raceways, splicing devices, splicing, detection wire, warning tape, above ground markers, backplane facilities, twisted pair communications cable interface devices, etc., and any other cabinet modifications required for the fiber optic system shall be included in the price bid for other items of work.

**907-657.05--Basis of Payment.** Fiber optic cable, measured as prescribed above, will be paid for at the contract unit price bid per linear foot, which price shall be full compensation for furnishing all materials, for all installing, connecting, cutting, pulling and testing and for all equipment, tools, labor and incidentals necessary to complete the work.

Payment will be made under:

- 907-657-A: Fiber Optic Cable, \* - per linear foot
- 907-657-B: Fiber Optic Drop Cable, \* - per linear foot
- 907-657-D: Relocation of Fiber Optic Cable - per linear foot
- 907-657-E: Replace Fiber Optic Cable - per linear foot
- 907-657-F: Replace Fiber Optic Drop Cable - per linear foot
- 907-657-G: Upgrade Fiber Optic Cable - per linear foot

\* Indicate the type of cable

# MISSISSIPPI DEPARTMENT OF TRANSPORTATION

**SPECIAL PROVISION NO. 907-658-8**

**CODE: (SP)**

**DATE: 08/13/2015**

**SUBJECT: Networking Equipment**

**PROJECT: CM-0017-00(041) / 106852301 -- Desoto County**

Section 907-658, Network Switch, is hereby added to and becomes part of the 2004 Edition of the Mississippi Standard Specifications for Road and Bridge Construction as follows.

## **SECTION 907-658 -- NETWORKING EQUIPMENT**

**907-658.01--Description.** This section specifies the minimum requirements for providing networking communication equipment, including network switches, terminal servers, fiber optic modems, cell modems, and associated cabling, furnished and installed.

Type A, Type B, Type D, and Type E switches shall be environmentally hardened and rated for an operating temperature of 70 degrees celcius. These switches support Intelligent Transportation Elements deployed on arterial streets and the highway system. Elements include but are not limited to traffic signals, dynamic message signs, surveillance cameras, and vehicle detection systems. Type C switches will support the Intelligent Transportation System and be installed in the Traffic Management Center and Communications Huts which are environmentally controlled. Type C switches are not required to be hardened.

This Section also specifies the minimum requirements for stand alone and network switch module Terminal Servers, stand alone and network switch module cellular modems, and Category 6 cable. The Terminal Servers shall be hardened. The Terminal Server device, also commonly referred to as a Port Server device, will be used to communicate bi-directionally between IP-based Ethernet network systems and existing field devices that communicate or are controlled via a full-duplex serial interface. Cellular modems shall be used to communicate via cell to remote sites such as portable traffic signal sites, portable CMS, smart work zones or ITS site locations, or sites or devices, that need serial or Ethernet communication that can be provided over cellular service.

The Category 6 cable will be installed in conduit and cabinets between elements that are within 300 feet of each other to eliminate the need for two hardened switches. The work shall consist of providing all labor, materials, equipment, and incidentals necessary to furnish, install, and test the networking equipment.

**907-658.02--Materials.** Network Switches Type A, Type B, Type C, Type D, Type E, Terminal Servers, Cell Modems, and associated cabling will be placed in the field device cabinets and shall meet the following requirements:

**907-658.02.1--Network Switch Requirements.** The Type A, Type B, Type C, Type D, and Type E Network switches shall adhere to the following minimum requirements.

- 1) Field switch optical ports shall meet the following:
  - a. The minimum optical budget between transmit and received ports shall be 18dB.
  - b. Shall include LC connector types.
  - c. Optical receiver maximum input power level shall not be exceeded.
  - d. Optical attenuators shall be added as needed; fiber optic attenuator patch cords shall be in accordance with Section 657 of the Mississippi Standard Specifications for Road and Bridge Construction. It is the Contractor's responsibility to determine where attenuators are needed and shall be included in the cost of the switch.
  - e. The Contractor shall be required to measure the optical power on each optical port to ensure that power entering the receiver is within the acceptable power budget of the optical port.
  - f. Optical interface equipment shall operate at 1310 nm.
- 2) Operate from 100 VAC to 200 VAC.
- 3) The field switches [this excludes Type C] shall operate between -34 to +74 degree Celsius, including power supply.
- 4) The field switches [this excludes Type C] shall operate from 10% to 90% non-condensing humidity.
- 5) Meet the IEEE 802.3 (10Mbps Ethernet) standard.
- 6) Meet the IEEE 802.3u (Fast Ethernet 100 Mbps) standard.
- 7) Meet the IEEE 802.3x (Full Duplex with Flow Control) standard.
- 8) Meet the IEEE 802.1p (Priority Queuing) standard.
- 9) Meet the IEEE 802.1Q (VLAN) standard per port for up to four VLAN's.
- 10) Meet the IEEE 802.1w (Rapid Spanning Tree Protocol) standard.
- 11) Meet the IEEE 802.3ad (Port Trunking) standard for a minimum of two groups of four ports.
- 12) The field switches shall meet IEEE 802.3D (Spanning Tree Protocol) standard.
- 13) Capable of mirroring any port to any other port within the switch.
- 14) Password manageable through:
  - a. SNMP
  - b. Telnet/CLI
  - c. HTTP (Embedded Web Server) with Secure Sockets Layer (SSL)
- 15) Full implementation of SNMPv1 and SNMPv2c.
- 16) Full implementation of GVRP (Generic VLAN Registration Protocol).
- 17) Full implementation of IGMP and IGMP snooping.
- 18) Minimum MTBF of 100,000 hrs using Bellcore TS-332 standard.
- 19) Full implementation of RFC 783 (TFTP) to allow remote firmware upgrades.
- 20) UL approved.
- 21) The field switch shall provide status indicators as follows: 1) power on an off, 2) network status per port (transmit, receive, link, speed), and 3) status indicators shall be LED.
- 22) Unused ports (copper and optical) shall be covered with rubber or plastic dust caps/cover.

**907-658.02.2--Type A Network Switch.** Type A network switches shall adhere to the following minimum requirements.

- 1) Minimum of six 10/100Base-TX ports. Each port shall connect via RJ-45 connector.
- 2) Minimum of two 1000 Base Long Reach optical ports.
- 3) Full implementation of RMON I and RMON II.
- 4) Rack, shelf or DIN Rail mountable. If shelf mounted, the Contractor must furnish and install a shelf if shelf space is not available in the facility. Any shelf used shall be ventilated as per the Network Switch manufacturer recommendation.
- 5) All power transformers provided shall be "fastening mechanism" type. No plug-in types shall be permitted. All corded transformers shall be mountable with the ability to neatly secure power cords.

**907-658.02.3--Type B Network Switch.** Type B network switches shall adhere to the following minimum requirements.

- 1) Minimum of twelve 10/100 Base-TX ports. Each port shall connect via RJ-45 connector.
- 2) Minimum of one 10/100/1000 Base-TX ports. Each port shall connect via RJ-45 connector.
- 3) Full implementation of RMON I and RMON II.
- 4) Minimum of two 1000 Base Long Reach optical ports.
- 5) Rack, shelf or DIN Rail mountable. If shelf mounted, the Contractor must furnish and install a shelf if shelf space is not available in the facility. Any shelf used shall be ventilated as per the Network Switch manufacturer recommendation.
- 6) All power transformers provided shall be "fastening mechanism" type. No plug-in types shall be permitted. All corded transformers shall be mountable with the ability to neatly secure power cords.

**907-658.02.4--Type C Network Switch Requirements.** The Type C Network Switch will be installed in the Communication Hubs and shall meet the following requirements:

- 1) Each switch shall be populated with modules including the following features and capabilities:
  - i. Layer 2/3 switching and routing services
  - ii. Minimum of 64Gbps/48Mpps module Bandwidth
  - iii. Min of 8-GE uplink ports available per network switch assembly. The Contractor shall provide an uplink SFP optical module compatible with the interface for the uplink as indicated in the Location & Configuration of Communication Nodes notice to bidders for each uplink
  - b. In one (or more)Fiber SFP-based module(s): a minimum of 48 1000Base-X (SFP-based) compatible access ports and a minimum of 8 1000Base-X (SFP-based) uplink ports. The Contractor shall provide whichever is greater between a min number of SFP optic modules to interface to the fiber as indicated in the plans and NTBs, or a min of 14 and shall meet the following minimum requirements:
    - i. Optical budget of 18dB
    - ii. Hot-swappable network modules
    - iii. Same optical wavelength as Type A & B switches
    - iv. Same optical transmitter power as Type A & B switches
  - c. In one (or more) modules: 24 Ethernet 10/100/1000 RJ-45 ports

- 2) Optical receiver maximum input power level shall not be exceeded.
- 3) Optical attenuators shall be added as needed; fiber optic attenuator patch cords shall be in accordance with Section 657 of the Mississippi Standard Specifications for Road and Bridge Construction. It is the Contractor's responsibility to determine where attenuators are needed and shall be included in the cost of the switch.
- 4) 19" rack mountable.
- 5) Operate from 5 to 40 degree Celsius.
- 6) NEBS Level 3 compliant.
- 7) Operate from 10 to 80 non-condensing humidity
- 8) Designed as a chassis with easy to remove modules.
- 9) Chassis backplane shall be passive.
- 10) All modules shall be hot-swappable.
- 11) Meet the IEEE 802.1d (Virtual Bridge) standard.
- 12) Meet the IEEE 802.1x (authentication) standard.
- 13) Meet the requirements of :
  - a. IEEE 802.3z
  - b. IEEE 802.3ab
  - c. GR-20-CORE: Generic requirements for Optical Fiber and Optical Fiber Cable
  - d. GR-326-CORE: Generic Requirements for Singlemode
- 14) Full implementation of RIP protocol as outlined by RFCs: 1058, 1723, 1812
- 15) Full implementation of OSPF protocol as outlined by RFCs: 2178, 1583, 1587, 1745, 1765, 1850, 2154, 2328, 1850, 1997, 2385, 2439, 2842, 2918, 2370.
- 16) Capable of mirroring any port to any other port within the switch.
- 17) Password manageable through:
  - a. SSH (Secure Shell)
- 18) Full implementation of MLD (Multicast Listener Discovery).
- 19) Full implementation of IGMPv2.
- 20) Full implementation of PIM-SM and PIM-DM.
- 21) Comply with FCC 47 CRF Part 15 Class A emissions.
- 22) Bandwidth flow rate limiting policing support per port.
- 23) Full security implementation of
  - a. Support SSH, 802.1x (rel 2)
  - b. Access Control Lists (ACL's)
  - c. RADIUS authentication
  - d. TACACS+ authentication
- 24) Have redundant power supplies installed.
- 25) The power supply units shall be hot swappable.
- 26) Switch assembly shall have a minimum of 4 module slots.
- 27) Blank covers for all remaining slots.

**907-658.02.1.5--Type D Network Switch Requirements.** The Type D Network Switch shall be of chassis design. The switch shall be able to accept a minimum of 4 different type modular cards and have Layer 2 switch and Layer 3 routing capabilities. The Type D Network Switch shall meet the minimum requirements specified below:

- 1) The switch shall be chassis designed with a minimum of 4 module slots.



- 2) Each switch shall be able to accept the following type modules:
  - a. Ethernet module:
    - i. A minimum number of six (6) 10/100Base-TX compatible RJ45 ports.
    - ii. The Contractor shall provide the minimum number of modules necessary to meet or exceed the required number of ports as indicated in the plans and NTBs.
    - iii. Total required bandwidth shall per chassis shall not exceed 10 Gbps
  - b. Fiber based modules:
    - i. The module shall accept SFP type fiber modules
    - ii. The Contractor shall supply any necessary fiber modules that meet the requirements of speed, type of fiber, and link budget connection.
    - iii. The Contractor shall provide the minimum number of modules necessary to meet or exceed the required number of ports as indicated in the plans and NTB
  - c. WAN module:
    - i. T1, DS3 or Metro Ethernet Interface (as per NTB or project plans)
      - 1) The Interface shall be T1, DS3 or Metro Ethernet
      - 2) The ports shall connect via RJ45 connector.
    - ii. Cellular Interface
      - 1) Contractor shall provide information to the Project Engineer to enable activation of the modem.
      - 2) Contractor shall get prior approval from the Projcet Engineer on selection of cellular radio type (HSPA/EVDO)
  - d. Terminal Server module:
    - i. Module that meets Terminal Server requirements section 658.02.6
  - e. Power Supply module:
    - i. The power module provided shall be "screw terminal block" type. No pluggable terminal block.
    - ii. Input power: Same as Type A and Type B switches.
    - iii. Power module shall be hot-swappable.
    - iv. The Contractor shall supply the necessary amount of power supplies to meet power requirements for all cards installed and the chassis itself
- 3) Software license shall provided to match functionality of installed modules.
- 4) Shall be DIN or Panel mountable.
- 5) The swich shall provide layer 2 and 3 switching and routing services
- 6) Meet the IEEE 802.1d (Virtual Bridge) standard.
- 7) Meet the IEEE 802.1x (authentication) standard.
- 8) Password manageable through:
  - a. SSHv2 (Secure Shell)
- 9) Full implementation of VRRP.
- 10) Comply with FCC 47 CRF Part 15 Class A emissions.
- 11) Bandwidth flow rate limiting policing support per port.
- 12) Full security implementation of
  - a. Support SSH2, 802.1x (rel 2)
  - b. Access Control Lists (ACL's)
  - c. RADIUS
- 13) Blank covers for all remaining slots.

- 14) Electronic surfaces shall be covered with conformal coating for additional environmental protection.

**907-658.02.1.6--Type E Network Switch Requirements.** The Type E NetworkSwitch will be installed in locations where multiple backbone fibers converge or high concentration of ports are needed for a field location but need a hardened switch and shall meet the following requirements:

- 1) Each switch shall be populated with redundant switch fabric modules that meet the following minimum requirements:
  - a. Layer 2/3 switching and routing services
  - b. 64Gbps/48Mpps module Bandwidth
  - c. Min of 2-GE uplinks available per card with a minimum capability to expand to 8. The Contractor shall provide an uplink SFP optical module compatible with the interface for the uplink as indicated in the Location & Configuration of Communication Nodes notice to bidders for each uplink.
- 2) Optical interfaces shall include 1000 Base-X (SFP-based module(s)) with a minimum of 8 ports. The Contractor shall provide whichever is greater between a min number of SFP optic modules to interface to the fiber as indicated in the plans and NTBs, or a min of 6 and shall have a minimum Optical budget of 18dB and be the same optical wavelength as Type A & B switches.
  - a. Optical receiver maximum input power level shall not be exceeded.
  - b. Optical attenuators shall be added as needed; fiber optic attenuator patch cords shall be in accordance with Section 657 of the Mississippi Standard Specifications for Road and Bridge Construction. It is the Contractor's responsibility to determine where attenuators are needed and shall be included in the cost of the switch.
- 3) Include a minimum 8 Ethernet 10/100/1000 ports
- 4) 19" rack mountable.
- 5) Operate from -30 to +70 degree Celsius.
- 6) Operate from 10 to 90 non-condensing humidity
- 7) Chassis backplane shall be passive.
- 8) All modules shall be hot-swappable.
- 9) Meet the IEEE 802.1d (Virtual Bridge) standard.
- 10) Meet the IEEE 802.1x (authentication) standard.
- 11) Meet the requirements of :
  - a. IEEE 802.3z
  - b. IEEE 802.3ah
  - c. GR-20-CORE: Generic requirements for Optical Fiber and Optical Fiber Cable
  - d. GR-326-CORE: Generic Requirements for Singlemode
- 12) Full implementation of RIP protocol as outlined by RFCs: 1058, 1723, 1812
- 13) Full implementation of OSPF protocol as outlined by RFCs: 2178, 1583, 1587, 1745, 1765, 1850, 2154, 2328, 1850, 1997, 2385, 2439, 2842, 2918, 2370.
- 14) Capable of mirroring any port to any other port within the switch.
- 15) Password manageable through:
  - a. SSHv2 (Secure Shell)
- 16) Full implementation of GMRP (Generic Multicast Registration Protocol).

- 17) Full implementation of IGMPv2.
- 18) Full implementation of PIM-SM and PIM-DM.
- 19) Full implementation of DVMRPv3.
- 20) Full implementation of VRRP.
- 21) Comply with FCC 47 CRF Part 15 Class A emissions.
- 22) Bandwidth flow rate limiting policing support per port.
- 23) Full security implementation of
  - a. Support SSH2, 802.1x (rel 2)
  - b. Access Control Lists (ACL's)
  - c. RADIUS
  - d. TACACS
- 24) Have redundant power supplies installed.
- 25) Blank covers for all remaining slots.
- 26) Have options or modules to add a terminal server as specified in section 658.02.2
- 27) Have options or modules to add a cellular interface as specified in section 658.02.3

**907-658.02.2--Terminal Server.** Terminal server shall adhere to the following minimum requirements.

- 1) 10/100 Base-T Ethernet port connection
- 2) RJ-45/DB9 Serial port connection
- 3) RS-232/422/485 selectable serial connections
- 4) Baud rates up to 230 Kbps
- 5) Full Modem and hardware flow control
- 6) TCP/UDP Socket Services
- 7) UDP Multicast
- 8) Telnet and Reverse Telnet
- 9) Modem emulation
- 10) SNMP (Read/Write)
- 11) PPP
- 12) Port buffering
- 13) HTTP
- 14) Remote management
- 15) DHCP/RARP/ARP-Ping for IP address assignment
- 16) LED status for link and power
- 17) The Terminal Server shall support a minimum of Four (4) bi-directional serial communications over Ethernet 10/100 Base-TX.
- 18) Each Terminal Server shall have a minimum of four (4) EIA-232/422/485 serial interface ports. These ports shall be individually and independently configurable, directly or over the network, to EIA-232/422/485 mode of operation as defined by the EIA for data format, data rate and data structure (e.g., the number of bits, parity, stop bits, etc.). Each serial port shall support up to 230 Kbps.
- 19) Each serial port shall support IP addressing and socket number selection.
- 20) The equipment shall provide the capability to establish an IP connection directly from a workstation to any encoder IP address and socket number transport serial data.

- 21) Each Terminal Server shall have an Ethernet Interface (10/100Base-TX protocol, Full/Half-Duplex, Auto Sense (802.3), RJ-45).

**907-658.02.3--Cell Modem.** Cellular Modem, and associated equipment shall be new and constructed using the highest quality, commercially available components and techniques to assure high reliability and minimum maintenance and meet the following requirements.

**907-658.02.3.1--Functional Requirements.** Cellular Modem, antenna, wiring assemble, configuration software, and installation necessary shall be provided and furnished for a working cellular wireless communication connection in accordance with plans and specifications and compatible with the requirements of the MDOT system, and the wireless service carrier used by MDOT. Unless otherwise indicated on the plans, all items that are required to complete the installation and ensure an operational system shall be supplied by the contractor whether listed above or not. Items required but not listed above shall be at no direct pay. All components supplied by the contractor are the responsibility of the contractor. It shall be the responsibility of the contractor to properly configure and deliver a working cellular communications system. It shall be the responsibility of the contractor to determine the final configuration of all electrical connections. Cellular account setup shall be coordinated with MDOT Traffic Engineering Division. Warranty and cellular carrier account shall be transferred into MDOT's name upon acceptance of the project.

**907-658.02.3.2--Cellular Modem System.** The Cellular Modem shall adhere to the following minimum requirements.

- 1) Model and Type provided shall be pre-approved on a MDOT cellular service carrier.
- 2) Highest available on a MDOT cellular service carrier of 4G, EVO, or higher service.
- 3) Minimum of one 10/100 Base-T RJ45 Ethernet port
- 4) Minimum of one RS-232 serial port
- 5) Minimum of one external antenna connector
- 6) GPS Data available
  - a. Acquisition Time under 2 seconds
  - b. Accuracy: under 5m 90% of time
  - c. Tracking Sensitivity: -161 dBm
- 7) Device Configuration and Management Software via web interface.
- 8) Communications and Protocols supported:
  - a. Network: TCP/IP, UDP/IP, DNS
  - b. NAT and DHCP routing with VLAN, VRRP, and Static Routes configurable
  - c. Includes TELNET, SMTP, SNMP, SMS sessions and services
  - d. Serial: TCP/UDP PAD Mode, Modbus (ASCII,
  - e. GPS: NMEA V3.0, TAIP, RAP
  - f. Provides VPN security with up to 5 tunnels
- 9) Provides event reporting for GPS/AVL, Network Parameters, Data Usage, Time, Power, and Device Temperature over SMS, SNMP, or Email, SNMP.
- 10) Input Voltage: 10 to 36 VDC
- 11) Operating Temperature of -30° to +70°C

**907-658.02.4--Category 6 Cable.** Category 6 cable shall adhere to the following minimum requirements.

- 1) 4 Pair #24 AWG UTP Category 6 Cable
- 2) This item is paid for Category 6 cables installed between cabinets and does not apply to other patch cords installed inside cabinets or huts.
- 3) Supplied Category 6 cable shall be suitable for use outdoors in duct and as a minimum meet the following requirements:
- 4) Fully water blocked
- 5) Conforms to the National Electrical Code Article 800
- 6) UL 1581 certified
- 7) Voltage Rating 300 Volts or greater
- 8) Operating and installation temperature (-4°F to 140°F)
- 9) Bend Radius 10 x Cable OD or smaller
- 10) Recommended for 1000Base-T applications for a distance of 100 meters.

**907-658.02.4.1--Category 6 Patch Cords.** The Cat 6 Patch Cords shall be furnished and installed as needed to connect the Network Switches with other equipment. Cat 6 Patch Cords shall be considered an incidental component for this project and furnished and installed as needed to provide a functional system. Cat 6 Patch Cords shall meet the following minimum requirements:

- 1) All patch cords shall be from the same manufacturer.
- 2) Shall incorporate four (4) pair 24 AWG stranded PVC Category 6.
- 3) Shall be factory made; Contractor or vendor assembled patch cords are not permitted.
- 4) Shall be TIA/EIA 568-B.2-1 compliant. Patch Cords shall be compliant to T568B pin configuration (which ever is used).
- 5) Certified by the manufacturer for Category 6 performance criteria.
- 6) Length as needed. Excessive slack is not permitted.

**907-658.02.5--Project Submittal Program Requirements.** The Contractor shall provide project submittals for network switches including scheduling requirements. The project submittals for network switches, terminal servers, cellular modems, and fiber optic modems shall include but are not limited to the specific requirements in this subsection.

- 1) The Contractor shall submit detailed cut sheets which document compliance with all parameters required in this section. If a parameter is not covered in the cut sheet a signed statement from the manufacturer on letterhead shall be submitted as an attachment. Failure to address all requirements will result in rejection of the submittal.
- 2) The Contractor shall submit documentation and proof of manufacturer-recommended training and certification for the installation and configuration of network switches.
- 3) The Contractor shall submit technical specifications for the minimum transmitter port to receiver port optical attenuation required for the switches to function in accordance with this specification for the optical links shown on the plans.

**907-658.03--Construction Requirements.** All networking equipment shall be installed

according to the manufacturer's recommendations, the Plans and as follows:

- 1) Network switches shall only be configured and installed by the switch manufacturer trained personnel.
- 2) Network switches shall be installed in accordance with manufacturer's guidelines and requirements.
- 3) The Contractor shall request from the Department, switch configuration information (such as IP address, VLAN Tag values, etc.) not more than 30 days after the switch submittals have been approved.
- 4) The Contractor shall provide as needed the necessary Cat 6 patch cords and fiber optic patch cords for a complete and functional installation.
- 5) Category 6 cable installed in conduit shall be installed and terminated per the manufacturers recommended procedures. Five feet of spare slack shall be provided in the pull boxes nearest each Type B or Type C cabinet.
- 6) The Contractor shall provide training for proper management of the equipment installed. This training should cover daily operation as well as maintenance and configuration of the switching equipment installed as part of this project and meet the requirements of subsection 658.03.4 of this document.
- 7) The Contractor shall provide the MDOT with a written inventory of items received and the condition in which they were received. Inventory shall be inclusive of make, model, and serial numbers, MAC address, and installation GPS coordinates. All equipment shall be installed according to the manufacturer's recommendations or as directed by the MDOT.
- 8) Any new, additional or updated drivers required for the existing ATMS software to communicate and control new Networking Equipment installed by the Contractor shall be the responsibility of the Contractor.

**907-658.03.1--Switch Configuration Requirements.** The Contractor shall configure Network Switches as follows:

- 1) All 100 Base-TX ports shall be configured as follows:
  - a. RSTP/STP – Off.
  - b. Unused TX ports shall be disabled.
  - c. Operating TX ports shall be programmed to filter only for the MAC address of the connected device.
- 2) All 1000 Base-FX ports shall be configured as follows:
  - a. RSTP/STP – On.
  - b. IGMP Snooping – On.
- 3) The Type D switch configuration shall be as outline in the Project plans and details.
- 4) All network switches shall be installed and configured with the same firmware configuration. The optimum settings shall be used consistently system-wide. Any locations that require different settings for optimum performance shall be approved by the Engineer.
- 5) The Switches shall be configured to enable multicasting and turn on multicast protocols.
- 6) The Contractor may submit an alternate switch configuration to the ITS Engineer for review and approval; The ITS Engineer will review alternate switch configuration

documentation. The goal of the switch configuration is to reduce the network delay, as well as provide network redundancy.

- 7) The Contractor shall submit an electronic copy of all final and approved configurations of all switches to the Project engineer and to the ITS Engineer.

**907-658.03.2--Testing.** The Contractor shall conduct a Project Testing Program as required below. All costs associated with the Project Testing Program shall be included in the overall contract price; no separate payment will be made for any testing.

- 1) All test results shall confirm physical and performance compliance with these Special Provisions.
- 2) Each test shall fully demonstrate that the equipment being tested is clearly and definitely in full compliance with all project requirements.
- 3) Contractor shall submit all test results documentation to the Engineer for review within 14 calendar days of completion of the tests.
- 4) All tests deemed by the Project Engineer to be unsatisfactorily completed shall be repeated by the Contractor. In the written request for each test occurrence that is a repeat of a previous test, the Contractor shall summarize the diagnosis and correction of each aspect of the previous test. The Contractor shall summarize the diagnosis and correction of each aspect of the previous test that was deemed unsatisfactory. The test procedures for a repeated test occurrence shall meet all the requirements of the original test procedures, including review and approval by the Project Engineer and ITS Manager or designee.
- 5) The satisfactory completion of any test shall not relieve the Contractor of responsibility to provide a completely acceptable and operating system that meets all requirements of this project.

**907-658.03.3--Documentation.** As-built Plans showing switch configuration and connections shall be provided to the Project Engineer and ITS Engineer in electronic format.

The Contractor shall submit documentation and proof of measured optical power budgets to all optical links of all type switches. All equipment and software must be fully functional and pass a Final Inspection by the ITS Manager and Project Engineer before being accepted by the MDOT

**907-658.03.4--Warranty.** Minimum warranty requirements shall be as follows.

- 1) All warranties and guarantees shall be assigned to the Mississippi Department of Transportation.
- 2) The warranty shall be a minimum of one (1) year warranty

**907-658.03.5--MDOT Employee Training.** After the installation is complete, the Contractor shall provide formal classroom training and "hands-on" operations training for proper operation and maintenance of the network switch. The training shall be provided for up to six personnel designated by the ITS Engineer and shall be a minimum of four hours in duration. The training shall cover as a minimum preventive maintenance, troubleshooting techniques, fault isolation and circuit analysis. All training materials shall be provided by the Contractor.

- 1) Prior to training, submit resume and references of instructor(s). Also submit an outline of the training course in a Training Plan. Submit the Training Plan within 90 days of Contract Notice-to-Proceed. Obtain approval of the Plan from the Engineer and the Traffic Engineering ITS Department. Explain in detail the contents of the course and the time schedule of when the training will be given.
- 2) Furnish all handouts, manuals and product information.
- 3) For the training, use the same models of equipment furnished for the project. Furnish all media and test equipment needed to present the training.
- 4) Training shall be conducted in the Jackson area.
- 5) Training instructor(s) shall be manufacturer-certified, experienced in the skill of training others.
- 6) The training shall be conducted by a trainer with a minimum of four years of experience in training personnel on the operation and maintenance of fiber optic systems.

**907-658.04--Method of Measurement.** Network Switches of the type specified will be measured per each installation as specified in the Project plans. Such measurement shall be inclusive of furnishing, installing, system integration and testing of a Network Switch including all chassis, modules, power cables, power supplies, software, license, fiber optic patch cords, fiber optic attenuator patch cords, Cat 6 patch cords, and all incidental components, attachment hardware, mounting shelf and hardware, testing and training requirements, and all work, equipment and appurtenances as required to provide a fully functional switch ready for use. Type C, Type D, and Type E Network Switch module cards shall be specified per Project plans or NTBs for each site location. It shall also include all system documentation including: shop drawings, operations and maintenance manuals, wiring diagrams, block diagrams, and other material necessary to document the operation of the switch and network.

Terminal Server will be measured per each installation. Such measurement shall be inclusive of furnishing, installing, system integration and testing of a Terminal Server including all incidental components, attachment hardware, mounting shelf and hardware, testing and training requirements, and all work, equipment and appurtenances as required to provide a fully functional Terminal Server ready for use.

Cellular modem shall be measured per each and will include the, modem, antenna, reset timers, cabling, factory and manufacturing inspection, testing, storage, packaging, shipping, warranty, and all work, equipment, and appurtenances as required to effect the full operation and control of the cellular modem complete in place and ready for use.

Category 6 Cable, Installed in Conduit, will be measured for payment by the linear foot, horizontally.

**907-658.05--Basis of Payment.** Network Switches, Terminal Servers, cell modems and fiber optic modems, measured as prescribed above, will be paid for at the contract unit price bid per each. The price shall be full compensation for all labor, tools, materials, equipment and incidentals necessary to complete the work.



Category 6 cable installed between cabinets will be paid for by linear foot measured horizontally.

Payment will be made under:

907-658-A: Network Switch, Type \_\_\_ - per each

907-658-B: Terminal Server - per each

907-658-C: Category 6 Cable, Installed in Conduit - per linear foot

907-658-D Cellular Modem - per each

## MISSISSIPPI DEPARTMENT OF TRANSPORTATION

**SPECIAL PROVISION NO. 907-659-4**

**CODE: (SP)**

**DATE: 07/13/2015**

**SUBJECT: Traffic Management Center (TMC) Modifications**

**PROJECT: CM-0017-00(041) / 106852301 -- Desoto County**

Section 907-659, Traffic Management Center (TMC) Modifications, is hereby added to and becomes part of the 2004 Edition of the Mississippi Standard Specifications for Road and Bridge Construction as follows:

### **SECTION 907-659 -- TRAFFIC MANAGEMENT CENTER (TMC) MODIFICATIONS**

**907-659.01--Description.** The MDOT Statewide Traffic Management Center (TMC) is located in the Traffic Engineering Division in the MDOT Shop Complex at 2567 North West Street, Jackson, Mississippi. Regional and City Traffic Management Centers may be located statewide. The following is a list of existing/planned centers and their addresses:

City of Jackson TMC – 300 North State Street, Jackson, Mississippi (basement)

Northwest Regional Combined TMC – 8791 Northwest Drive, Southaven, Mississippi (Police Department)

City of Ridgeland TOC – 304 Hwy 51, Ridgeland, Mississippi (City Hall)

Oxford Combined TMC – 715 Mollybarr Road, Oxford, Mississippi (Oxford Police Department)

Hattiesburg Regional TMC/EOC – 6356 Hwy 49N, Hattiesburg, Mississippi (MDOT District 6 Headquarters)

Batesville Regional TMC/EOC – 150 Hwy 51N, Batesville, Mississippi (MDOT District 2 Headquarters)

Natchez Combined TMC – 233 Devereaux Drive, Natchez, Mississippi (Police Department)

Gulf Regional TMC – 16499 Hwy 49, Saucier, Mississippi (MDOT Lyman Project Office)

Additional Traffic Management Centers may be added as needed.

### **907-659.02--Blank.**

### **907-659.03--Construction and Operation Requirements.**

**907-659-03.1--TMC Modifications.** The MDOT TMC modifications required to integrate and operate the traffic systems and devices shall be provided. These include, but are not limited to, expanding the central video management system, interconnecting the appropriate number of video interfaces to the TMC video management systems, expanding the MSTraffic backbone network through radio communications, wireless communications, T1 lines or fiber communications, expanding or configuring signals in the existing Central Traffic Signal software system, or upgrading existing signal systems, expanding the Automated Traffic Management

System (ATMS), and integrating all the existing computing facilities. All TMC modifications must meet U.S. Department of Transportation Intelligent Transportation System (ITS) Standards, Policies, and Architectures as well as MDOT's applicable Statewide or Regional Architecture.

**907-659.03.2--TMC Modifications - Monitor Systems.** Roadway traffic monitor locations shall provide local control functions related to traffic slowdowns and other congestion monitors as defined by MDOT Traffic Engineering. Additionally, the traffic monitor systems shall provide on-line data for use by the existing MDOT ATMS for engineering, operations, planning, incident, and mstraffic.com purposes. This data shall include, but is not limited to, per vehicle data raw data which shall be transmitted to and stored and managed by the ATMS. The traffic monitor systems shall be capable of utilizing both or either loop, microloop, radar, and/or video detection information. The system shall provide a consistent communication and management system regardless of detection methods used. All Traffic Monitoring Systems must meet U.S. Department of Transportation Intelligent Transportation System (ITS) Standards, Policies, and Architectures as well as MDOT's applicable Statewide or Regional Architecture.

**907-659.03.3--TMC Modifications – Installation Requirements.** All equipment shall be installed according to the manufacturer's recommendations, the Plans and as follows:

- 1) Any new, additional or updated drivers required for the existing ATMS software to communicate and control new devices installed by Contractor shall be the responsibility of the Contractor.
- 2) Installation of all equipment and software shall be included. The Contractor must provide the MDOT ITS Manager with an Installation Schedule. The Installation Schedule must be approved by the State Traffic Engineer.
- 3) All equipment and software must be fully functional and pass a Final Inspection by the ITS Manager and Project Engineer before being accepted by MDOT.

**907-659.03.4—MDOT Employee Training.** Training shall be provided covering the system architecture, operations, and maintenance of the TMC systems. If training requirements include travel on the part of training participants then the cost of the travel shall be included.

**907-659.04--Method of Measurement.** Traffic Management Center Modifications, Traffic Management Center Modifications – Monitor Systems, and Traffic Management Center Modifications – Training, complete in place, tested and accepted, will be measured on a lump sum basis.

**907-659.05--Basis of Payment.** Traffic Management Center Modifications, Traffic Management Center Modifications – Monitor Systems, and Traffic Management Center Modifications - Training, measured as prescribed above, will be paid for at the contract lump sum price, which price shall be full compensation for furnishing all materials for all installing, connecting, cutting, pulling and testing and for all equipment, tools, labor and incidentals necessary to complete the work.

Payment will be made under:

- 907-659-A: Traffic Management Center Modifications - lump sum
- 907-659-B: Traffic Management Center Modifications – Monitor Systems - lump sum
- 907-659-C: Traffic Management Center Modifications – Training - lump sum

# MISSISSIPPI DEPARTMENT OF TRANSPORTATION

**SPECIAL PROVISION NO. 907-660-1**

**CODE: (SP)**

**DATE: 07/22/2005**

**SUBJECT: OTN Node**

**PROJECT: CM-0017-00(041) / 106852301 -- Desoto County**

Section 907-660, OTN Node, is hereby added to and becomes part of the 2004 Edition of the Mississippi Standard Specifications for Road and Bridge Construction as follows:

## **SECTION 907-660--OTN NODE**

**907-660.01--Description.** Open Transport Network (OTN) is a network transmission system based on the latest fiber optics technology. It is characterized by the dual ring approach, resulting in high network availability, self-healing fault tolerance/recovery, and the integration of different types of services in one network. OTN supports almost all standard and/or customized transmission requirements for voice, data, LAN and video.

OTN nodes can be configured with a range of interface cards which allows them to be used for diverse applications. This diversity of interface cards saves on all kinds of transmission equipment such as protocol converters and conversion equipment. Interface cards available for OTN nodes are:

- Video applications (video distribution and monitoring, CCTV, MPEG4, M-JPEG)
- Data transport (e.g. RS232, RS422, and RS485)
- Telephony purposes (e.g. analog and digital 2-wire and 4-wire voice links, E1, T1)
- Local Area Networks (e.g. Fast Ethernet)

OTN nodes will be installed in Traffic Management Centers (TMC) and climate controlled OTN Node Communication Huts. A list of OTN node installation locations and specific interface card configurations is shown in Notice To Bidders No. 524.

## **907-660.02--Materials.**

**907-660.02.1--OTN Node.** The OTN node will be a modular 19-inch rack mountable chassis with two redundant power supply units and a hot-swappable common logic card. Each OTN chassis must have eight universal interface slots for interface modules in any combination. A maximum 196 Mbps capacity per interface and 100% user bandwidth utilization shall be provided with a total add-drop capacity of 1.5 Gbps. Two extra slots are required for auxiliary cards. Each node must have three intelligent (temperature switched and fail detect) fan modules to regulate the temperature inside the node. The dual power supply units shall be a minimum

270-Watt System, 10 TE width, with a supply voltage of 90 to 264 VAC (including 125 VDC) or 18 to 60 VDC, or any combination of both.

**907-660.02.2--OTN Node Communication Hut.** The equipment building shall be of a modular, prefabricated type construction. The walls shall be concrete with reinforcing steel, polypropylene fiber reinforced, 4,000 PSI minimum at 28 days compressive strength. The building size shall be a minimum of 8' x 8' x 8'6" for the outside dimensions.

Minimum design loads shall be:

- Seismic load performance category "C", Exposure Group III
- Standard Live Roof Load – 60 PSF
- Standard Floor Load – 250 PSF
- Standard Wind Loading – 130 MPH

The roof panel shall slope 1" from center to sides. The roof shall extend a minimum of 1½" beyond the wall panel on each side.

Roof, floor, and wall panels must each be produced as single component monolithic panels. No roof, floor, or vertical wall joints will be allowed except at corners. Wall panels shall set on top of floor panel.

Included in the building are:

- 3'0" x 7'0" x 1¾" galvanized steel door and frame with dead bolt lock and three (3) keys,
- Distribution panel board, 120/240 VAC interior, single phase, three wire, 125 amp main including breakers,
- 4-foot fluorescent ceiling mount fixture with two 40-watt cool white lamps,
- HPS exterior light with photocell, 120 VAC,
- 800 CFM minimum fan, 20 AMP with thermostat control, air damper, and rainhood,
- 1½ ton, 17,000 BTU, 5-kw unit, 30 AMP, 120 VAC AC unit,
- Minimum of three 120 VAC grounded duplex receptacles and all conduit and wiring,
- Finished walls and ceiling with insulation and vinyl floor tiles,
- Exposed aggregate finish or comparable finish as directed by Engineer,
- 10" x 20" opening in the floor for conduit risers, location to be determined by Engineer; and,
- Halo ground system.

**907-660.03--Construction and Operation Requirements.**

**907-660.03.1--OTN Node.** OTN nodes will be installed in Traffic Management Centers (TMC) or in climate controlled OTN Communication Huts. All OTN nodes in the MSTraffic network must be interconnected by dual point-to-point optical fiber links, where available. These fibers will form two (2) counter-rotating, redundant rings. The second ring will serve as a backup and should be able to, either partly or completely take, over all data transport. Installation will include, but is not limited to, expanding the central video management system & interconnecting

the appropriate number of video interfaces between networked Traffic Management Centers (TMC) located across the State. Nodes should be installed in 19" equipment cabinets and all interface cables must be labeled. Video that is placed on the MDOT OTN Node fiber ring or any city/agency traffic cameras must be available/delivered to a monitoring wall in the TMC.

**907-660.03.2--OTN Node Communication Hut.** The installation of the modular, prefabricated building shall consist of installing the leveling crushed gravel pad, providing 120/240 power to the building and connecting the distribution panel to the power supply, and testing the equipment for proper working/running condition. The building shall be placed closer than 2' 0" to an existing structure.

The building shall be set on a four inch (4") minimum depth, level, crushed gravel base, with that base being at least one foot longer than the length and width of the building. Conduit for the fiber interconnect system is to be in place before the building is set on the gravel base.

The halo ground system shall be connected to four 5/8" x 10' ground rods installed outside each corner of the building. The ground rods are connected with AWG #6 copper ground wire.

**907-660.03.3--OTN Node Installation & Training.** Installation of all equipment and software shall be included. The Contractor must provide the MDOT ITS Manager with an Installation Schedule. The Installation Schedule must be approved by the State Traffic Engineer. All equipment and software must be fully functional and pass a Final Inspection by the ITS Manager and Project Engineer before being accepted by MDOT.

Training shall be provided covering the system architecture, operations, and maintenance of the OTN Nodes and MSTRaffic network. If training requirements include travel on the part of training participants then the cost of travel shall be included.

**907-660.04--Method of Measurement.** OTN Node and OTN Node Communication Hut, complete in place, will be measured per each, inclusive of all wiring, hardware, and incidentals necessary to complete the work.

OTN Training will be measured per lump sum.

**907-660.05--Basis of Payment.** OTN Node and OTN Node Communication Hut, measured as prescribed above, will be paid for at the contract unit price per each, which price shall be full compensation for furnishing all materials, construction installation, connecting, testing, for all equipment, tools, labor, and incidentals required to complete the work.

The OTN Node Training, measured as prescribed above, will be paid for at the contract lump sum price, which price shall be full compensation for all materials and software for all equipment, travel expenses, software and incidentals necessary to complete the work.

Payment will be made under:

907-660-A: OTN Node	- per each
907-660-B: OTN Node Communications Hut	- per each
907-660-C: OTN Node Training	- lump sum



## MISSISSIPPI DEPARTMENT OF TRANSPORTATION

**SPECIAL PROVISION NO. 907-661-2**

**CODE: (SP)**

**DATE: 8/19/2015**

**SUBJECT: Rest Area Video Kiosk**

**PROJECT: CM-0017-00(041) / 106852301 -- Desoto County**

Section 907-661, Multi-channel Video Multiplexer, of the 2004 Edition of the Mississippi Standard Specifications for Road and Bridge Construction is hereby amended as follows.

Delete in total Section 661 and substitute the following:

**907-661.01--Description.** This special provision describes the specifications and requirements for providing, installing, and configuring Rest Area Video Kiosks at locations shown in the Plans.

**907-661.02--Materials.** The Contractor shall provide the materials, services and equipment necessary to assemble, integrate, and test a working Rest Area Video Kiosk as per the requirements stated in this Special Provision, the Plans and any related Notice to Bidders. In the bid package, the Contractor must provide the MDOT ITS Manager with a Kiosk System Description for submittal for review and approval by the ITS Engineer. This submittal shall include a schematic of the kiosk monitors, cabling and the supporting communication equipment. It shall include a list of any proposed Subcontractors and any required control software and licenses for approval by the MDOT ITS Engineer.

The Rest Area Video Kiosk shall be installed and configured to provide a complete, environmentally hardened, secured, video display system with a computer system, integrated to the MDOT TMC, capable of running MDOT's WEB based "First responders Page" and be capable of remote control using MS Remote Desktop access communicating on the MDOT ITS network as approved by the MDOT ITS Manager.

**907-661.02.1--Requirements.** The following are the minimum requirements and performance criteria for the Rest Area Video Kiosk:

- 1) KIOSK Components shall include the following components:
  - a) Monitor display
  - b) Computer system
  - c) Structure enclosure (for a Pedestal Kiosk only)
  - d) UPS capable of supporting the display and computer system for 10 minutes of run time and email functionality for alarms
  - e) An IP power strip with 8 ports and remote reboot of individual power receptacles
  - f) Communication interface equipment as described in an NTB or noted in the plans.

- g) Cabling, connectors, and all accessories required to fully make operational the KIOSK and provide remote monitoring of KIOSK from the MDOT Statewide IP Camera using H.264, meeting requirements as outlined in Special Provision 907-650 for On Street Video Equipment – IP PTZ (SD) camera.
- 2) Kiosks shall either be Wall Mounted or Pedestal Type as indicated in the plans or Notice to Bidders.
- 3) Wall Mounted Kiosk Displays shall be mounted in such a way that the display, cables, and incidentals shall not impede and shall be out of reach of the patrons.
- 4) Cables for Wall mounted Kiosk shall be routed through walls to a secured area for connection to Kiosk equipment, ITS networks, and power receptacles.
- 5) Pedestal based Kiosk shall be a fully enclosed system with access to the internals of the Kiosk subsystem only through keyed entries with cables for communications and power ran through the base of the pedestal.
- 6) The Monitor Display shall be:
  - a) A minimum of 42 inch diagonal or larger.
  - b) LED display.
  - c) Provide HD – 1080p resolution.
  - d) Environmentally Hardened via each individual component or by enclosed system for dust, water, condensation, and temperature.
  - e) Use Anti-reflective protective glass and be readable in direct sunlight.
  - f) Connected to a computer system for the video source.
  - g) Have a remote control that can operate the mounted display.
- 7) Computer system shall:
  - a) Mount to back of Kiosk display, be encased in the enclosure, or be provided in the secure area of the Rest area within the maximum allowable required video and audio signal distance. Final mounting position and location must be submitted and approved by the ITS Engineer.
  - b) Be environmentally hardened via each individual component or by enclosed system for dust, water, condensation, and temperature.
  - c) Be protected against vandalism and theft. The external mounting enclosure shall be individually replaceable.
  - d) Have communications as indicated in the Plans or NTB to the ITS network.
  - e) Have the Operating System Windows 7 or submitted and approved by ITS Engineer.
  - f) Be capable of running the MDOT “First Responders Page” with 16 simultaneous videos configured within two phases. This will be tested for final to system acceptance.
  - g) Have interfaces that allow for IP communications to TMC via network RJ – 45 interface utilizing 10/100/1000 Mbs.
  - h) Be configured and integrated with TMC to allow for MS Remote Desktop access from TMC.
- 8) Kiosk shall have a speaker system that:
  - a) Shall be suitable for outside environmental conditions for dust, water, condensation, and temperature.
  - b) Provides audio from the Kiosk Computer System.
  - c) Has an audio volume level capable of being software adjusted through Computer System

- d) Provides a speaker with a minimum audio output range of 0db to 75db.
- e) Is capable of reproducing human voice with a deviation of  $\pm 3$  dB.
- 9) The proposed Kiosk System shall be comprised of new off-the-shelf components. Discontinued/refurbished products or components will not be allowed.

**907-661.02.2--Operating Environment.** The Rest Area Video Kiosk equipment must be able to continuously operate in the following environment:

- 1) Operating Temperature:  $-40^{\circ}\text{C}$  to  $+50^{\circ}\text{C}$ .
- 2) Humidity: 20% to 90% non-condensing.
- 3) Environmental rating of KIOSK display system shall be rated at IP65.

**907-661.03--Construction Requirements.**

**907-661.03.1--General.** The Contractor will be responsible for complete assembly of the various components of the Kiosk. The Contractor shall provide all equipment necessary for the substructure onto which the Kiosk will be placed. The Contractor shall assemble this substructure in place within the facility.

The Contractor shall be required to submit a Kiosk System Description including shop drawings of the proposed kiosk structure, monitor, and configuration documentation. This submittal shall include a schematic of the kiosk monitors, cabling and the supporting communication equipment. This shall provide detailed mounting and installation schedule for each unit. The mounting details shall illustrate support design, ventilation, cable routing, and maintenance accessibility. It shall include a list of any proposed Subcontractors and any required control software and licenses for approval by the MDOT ITS Engineer. This shall be approved by the ITS Engineer at least two weeks prior to any installation. The installation schedule must be approved by the State Traffic Engineer.

Pedestal Kiosk Structures will house the monitor, computer system, IP based power strip, and a UPS capable of supporting the monitor, and computer system for 10 minutes. Pedestal Kiosks will be bolted to concrete foundation as approved by ITS Engineer.

Wall Mounted Kiosks will be mounted to a structure that limits the public having the ability to touch the structure, as much as feasible. The wall mounted structure should be to provide the best viewing angles for the public as possible. Wall mounted structures should also be mounted to conceal cabling.

Cabling to wall mounted structures should be routed through facility infrastructure to provide connectivity to communications, computer systems, and other ITS components in a secure location. Each connecting wire/cable shall be clearly marked indicating source and destination. The labeling shall correspond to the provided documentation.

The Contractor shall be responsible for the mechanical set up of the Kiosk, including assembly of the Structure, mounting, monitors, computers, and supporting components. This shall include connection of the kiosk to the communication equipment, ITS network and TMC connectivity.

The Contractor shall be responsible for adjustment and set up of all input source parameters. Video settings shall be optimized by Contractor. The Contractor shall setup a remote control system from the TMC to manage the KIOSK and remote logon to the KIOSK computer.

The Contractor shall provide a 2-year extended warranty and 2 years of routine maintenance on all KIOSK equipment.

All software and licenses required for the Rest Area Video Kiosk shall be delivered and registered to MDOT at the time of conditional acceptance.

**907-661.03.2--Training.** Training shall be provided covering the KIOSK system design, operations, and maintenance including the monitor, computer system, and any required software (including remote access),. If training requirements include travel on the part of training participants then the cost of travel shall be included.

The Contractor shall provide training and maintenance materials including detailed specifications and information pertaining to each device in the system.

The Contractor shall also provide documentation that details the technical and operational aspects of the completed system. This shall include operational and maintenance manuals, system diagrams, cabling diagrams and mounting/positioning details. The Contractor shall supply emergency contact information and necessary procedures for obtaining vital replacement parts within a designated, agreed upon time frame.

The Contractor shall conduct a training class for personnel who will operate the system. The class will cover operations and maintenance of the system. It shall instruct personnel on how to use all features and functions of the systems and be a minimum of six (6) hours in duration and shall include “hands-on” activities with the equipment and software.

**907-661.03.3--Testing.** Testing shall consist of the following:

- 1) General Requirements:
  - a. Contractor’s test plans shall cover all areas of the system functionality and shall be in accordance with the manufacturer’s recommendations.
  - b. All equipment and software must be fully functional and pass a Final Inspection by the ITS Manager and State Traffic Engineer before being accepted by MDOT.
- 2) Stand Alone Site Test: At a minimum, the Contractor shall demonstrate the following:
  - a. Display of video monitor page on the kiosk with up to 16 videos sources over two phases and the adjustment of the display and audio settings.
  - b. Ability to switch between a minimum of three (3) pre-configured video layouts.

c. Demonstration of all required software features.

- 3) Remote Site Test to be completed after Stand-alone Site Test will require Contractor demonstrate features of the Stand Alone Site Test using remote access from the TMC.
- 4) The Contractor shall supply any diagnostic and test software and computers necessary to perform the testing for the duration of the tests.

**907-661.04--Method of Measurement.** Rest Area Video Kiosk, complete in place, will be measured as unit quantities per each, including furnishing, installing, system integration and testing of the complete Rest Area Video Kiosk including but not limited to the Structure, monitor, computer system, wiring, connections, communications to TMC, remote access, and all ancillary and incidental materials, testing, documentation and all labor and equipment necessary to complete the work. Any software and licenses required, shall be included and require no additional maintenance, support, or license fee to remain operational.

Rest Area Video Kiosk will be measured for payment on a unit quantity each basis as follows:

- 1) 80% of the contract unit price upon completion of the installation and any standalone acceptance testing, and
- 2) 20% of the contract unit price upon final system acceptance.

Traffic Video System Training will be included in the cost of the Rest Area Video Kiosk.

**907-661.05--Basis of Payment.** Rest Area Video Kiosk, measured as prescribed above, will be paid for at the contract unit price per each, which price shall be full compensation for furnishing all materials, software for all equipment, construction installation, connecting, testing for all equipment, tools, labor, training, travel expenses, and incidentals required to complete the work.

Payment will be made under:

907-661-D: Rest Area Video Kiosk - per each

# MISSISSIPPI DEPARTMENT OF TRANSPORTATION

| SPECIAL PROVISION NO. 907-662-6

CODE: (SP)

| DATE: 10/21/2013

**SUBJECT: Video Communication Equipment**

Section 907-662, Video Communication Equipment, is hereby added to and made a part of the 2004 Edition of the Mississippi Standard Specifications for Road and Bridge Construction as follows:

## **SECTION 907-662 -- VIDEO COMMUNICATION EQUIPMENT**

**907-662.01--Description.** This Section specifies the minimum requirements for video communications equipment furnished and installed to support CCTV camera equipment. The work shall consist of providing all labor, materials, equipment, and incidentals necessary to furnish, install, and test a fully operational video communications system.

The video communication equipment will transport digitized video signals and data communications for the CCTV camera system over the IP-based Ethernet network utilizing video encoders, video decoders, and video fiber codex.

The Contractor shall supply, install, test and integrate the video equipment as indicated in the Contract Documents and Plans, and as further specified in this section.

**907-662.02--Materials.** All proposed encoding and decoding equipment and software shall comply with the following minimum requirements:

**907-662.02.1--General Requirements.** All digital Video Encoders (VE) and Video Decoders (VD) shall support the following general requirements:

- 1) All VE and VD provided by the Contractor shall be new and shall be from the same manufacturer and be fully compatible and interoperable with each type provided.
- 2) All VE and VD types provided by the Contractor shall be fully compatible and interoperable with the network equipment and the MDOT MSTRaffic WEB servers video streaming format and MDOT video wall IP video streaming systems.
- 3) Interoperability: The VE shall fully interoperate with the VD (hardware and/or software) as defined in these Special Provisions.
- 4) Mean Time Between Failures (MTBF): The VE shall have a minimum MTBF of 20,000 hours.
- 5) Latency: The end-to-end system latency between the VE appliance and the VD appliance shall be no more than 300 msec, not including network delays. The VE shall support various frame adjustments to minimize latency.
- 6) Remote Control: VE shall be remotely adjustable via a video management system or command set so that a technician can adjust image quality controls for contrast, brightness, hue and color levels.

- 7) Decoding: The Contractor shall provide decoders that are capable of auto-detecting the corresponding encoder's streaming parameters such as compression, resolution and bit rate, and appropriately decode the encoded digitized video signal.
- 8) Video equipment shall support the NTSC signal format.

**907-662.02.2--Video Encoder/Decoder Requirements.** The Video Encoder (VE) and Video Decoder (VD) shall be of the type defined by the Video Compression Technology and the minimum requirements are as follows:

**907-662.02.2.1--Video and Data Requirements.** The VE/VD shall meet the following minimum video and data requirements:

- 1) The VE /VD shall be capable of decoding or streaming a minimum of the following Video Compression Technology types:
  - a. H.264 (Video Coding Experts Group (VCEG)/Moving Picture Experts Group).
  - b. MPEG -4 (Moving Picture Experts Group).
  - c. MJPEG Motion JPEG(Moving Picture Experts Group).
- 2) VE shall be capable of streaming multiple bandwidth and compression types simultaneously per video input channel.
- 3) VE shall support streaming multicast and unicast streams simultaneously.
- 4) VE shall have the ability to automatically initiate and stream a multicast stream upon starting without any remote request to join the multicast group.
- 5) VE shall support multiple simultaneous Real Time Streaming Protocol (RTSP) requests.
- 6) VE shall be able to supply multiple unique and independent video streams with frame rate, bit rate, and image size settings adjustable through an RTSP request.
- 7) VE shall support a minimum of two (2) simultaneous unique and independent H.264 video streams with frame rate, bit rate, and image size settings adjustable per video input channel.
- 8) The VE shall support capturing of snapshot images of the video stream.
- 9) VE shall be a hardware-based network device able to accept a minimum of one analog National Television System Committee (NTSC) video input and encode for transport across IP networks.
- 10) VE and VD shall be specifically designed for network operation, and adhere to ISO standards.
- 11) VE video encoded streams shall be compatible with the existing video wall server decoders, MSTraffic, and streaming web servers or as approved by the Intelligent Transportation Systems Program Manager.
- 12) Support the following minimum encoded resolutions:
  - a. NTSC - Full D1
  - b. CIF/SIF
  - c. QCIF/QSIF
- 13) Dynamic bandwidth control: Provide up to 3 Mbps or greater rates (The data rate shall be defined as the maximum committed bandwidth to be utilized, which includes data bursting.).
- 14) Bandwidth increments shall be user configurable via the network. The minimum bandwidth setting shall be 56Kbs or less.
- 15) VE streams shall be capable of being set to variable or constant bit rates.

- 16) The default bandwidth for the VE as furnished shall be set to 2Mbps when communicating over fiber and 56kbs when communicating otherwise.
- 17) Provide on-board buffered video memory for protection against potential network disruptions.
- 18) VE shall be capable of providing JPEG snapshots and transfer image via FTP.
- 19) There shall be available standard software decoders that are compatible with the provided hardware VE.

**907-662.02.2.2--Serial Data Interface Requirements.** The VE/VD shall meet the following minimum serial data interface requirements:

- 1) The VE/VD shall provide bi-directional serial communications over Ethernet 10/100 Base-TX via the following methods:
  - a. VE serial port to VD serial port data stream.
  - b. IP socket to VE/VD serial port by TCP protocol.
  - c. The serial interface shall be transparent to the device (i.e. no additional or special protocols shall be used to communicate between the VE/VD and the CCTV control interface).
- 2) Each serial port shall provide full-duplex serial interface and data rates up to 115.2 Kbps (minimum).
- 3) Serial port shall be software configurable, locally or over the network, to EIA-232/422/485 mode of operation as defined by the EIA for data format, data rate, and data structure (e.g., baud rate, the number of bits, parity, stop bits, flow control, etc.) via the management software provided.
- 4) No serial adaptors or interface converters shall be permitted.
- 5) Each VE shall use the serial interface port to support PTZ camera control functions.
- 6) VE serial port shall provide IP addressing and socket number selection and provide the capability to establish an IP connection directly from an operator workstation to any VE IP address and socket number to transport serial data, independent of whether or not the video stream for that VE is being viewed.

**907-662.02.2.3--Network Requirements.** The VE/VD shall meet the following minimum network requirements:

- 1) Network connection shall be Ethernet Compliant IEEE 802.3, 802.3u, and 802.3x; 10/100 Mbps or higher, auto sensing full/half-duplex operations.
- 2) Each VE shall provide encapsulation of the video streams in a UDP packet for network transmission.
- 3) The VE/VD shall connect to a network device (i.e., media converter, Ethernet switch/router, IP wireless device, etc.) via a RJ-45 connector through Category 6 or higher quality stranded patch cords.
- 4) All network RJ-45 ports shall be standard EIA/TIA-568-A pin-outs and shall be rated at 10/100Mbps or greater.
- 5) All VE and VD provided by the Contractor shall be fully interoperable without customization or the addition of appliances within either the remote or primary communications network. All devices shall be fully interoperable with the backbone communications network.



- 6) Static IP Addressing (class A, B, and C).
- 7) RTP, UDP, Unicast and IP Multicast (Internet Group Multicast Protocol / IGMP V2) features for digital video transmission.
- 8) All VE shall support Real Time Streaming Protocol (RTSP) over RTP.
- 9) All VE shall support multiple stream requests.

**907-662.02.2.4--Physical and Environmental Requirements.** The VE/VD shall meet the following minimum physical and environmental requirements:

- 1) The Video Encoder/Decoder shall have the following ports as a minimum:
  - a. Network: 10/100 Mbps RJ-45 or as directed by MDOT.
  - b. Video Connector: BNC
  - c. Serial Data Interface: One (1) minimum RJ-45 port/connector. Serial port may utilize D-sub connectors or thumb screw terminals as approved by the MDOT.
  - d. In locations where there are more than one video source, and VE with multiple video ports are used, each video input port shall meet all the video and data requirements of section 907-662.02.2.1 independently.
- 2) The video input performance measures shall comply with NTSC and EIA requirements, including the EIA-170 standard, with a nominal composite video of 1 volt peak-to-peak (Vp-p). The equipment shall have an electrical impedance of 75 ohms
- 3) The VE at field locations shall operate in outdoor weatherproof field cabinets where the inside cabinet temperature range is -4°F to +158°F, and the relative humidity is between 10% and 90% non-condensing.
- 4) VE shall be installed in a field cabinet with protection from moisture and airborne contaminants, blowing rain, wind, blowing sand, blowing dust, humidity, roadside pollutants, vandalism, and theft.
- 5) The VE shall be resistant to vibration and shock, and conform to Sections 2.1.9 and 2.1.10, respectively, of the NEMA TS 2 standard.
- 6) The VD shall operate in the following minimum environment: Temperature ranging from 32°F to 122°F, and the relative humidity is between 10% to 90% non-condensing.
- 7) VE/VD for field site locations shall be PCB conformal coated to provide a level of protection from humidity, contaminants, dust, pollution, etc.
- 8) VE/VD shall provide a local status display capability for video, data, network interfaces and power. Status indicators shall be LED.
- 9) Cable connections (data/video/power) shall require no tools for installation or removal and be designed with positive locking devices such that they will not vibrate loose.
- 10) Provide external markings for all connectors and indicators. Replaceable components shall be permanently marked and traceable to the supplied documentation, including schematics and parts list. The external markings shall include the product function name, model number, serial number, and manufacturer's name.
- 11) All parts required for a completed video system shall be made of corrosion-resistant materials, such as stainless steel, anodized aluminum, brass, or gold-plated metal.
- 12) All individual VE shall be shelf, rack/module, or DIN rail mountable. Other mounting options may be submitted for review and approval by the Engineer.

**907-662.02.2.5--Chassis Based VE and VD.** In environmentally controlled locations where more than 2 encoders or decoders are needed, Chassis based encoders and decoders should be supplied and in full compliance with these special provisions.

VE/VD Chassis and Cards:

- 1) Chassis shall support a minimum of 12 VE or VD cards.
- 2) Chassis shall be 7U or less and be 19" rack mountable.
- 3) Each VE card shall include a minimum of four (4) encoders per card with a corresponding number of BNC ports per encoder.
- 4) Each VD card shall include a minimum of four (4) decoders per card with a corresponding number of BNC ports per decoder.
- 5) VE and VD cards shall be fully contained and obtain power from the chassis.
- 6) All Contractor provided VE and VD cards shall be compatible with, and of the same make as standalone VE and VD provided by the Contractor

**907-662.02.2.6--On-Screen Display (OSD) Requirements.** Where OSD functionality is not supplied by cameras the minimum on-screen text insertion and display requirements include:

- 1) VE / VD shall support a static text insertion capability and shall be capable of inserting a minimum of one (1) user configurable text messages of up to 20 characters in length.
- 2) VE / VD shall be able to generate a date and time stamp in the video stream and shall be synchronized to a time-server on the network.
- 3) VE / VD shall be able to display camera title in the video stream.
- 4) VE / VD shall have the option to display or not display the on-screen text.

**907-662.02.2.7--Management Requirements.** The minimum management system requirements shall include:

- 1) The VE/VD shall be manageable through SNMP (v2), HTTP, FTP/TFTP, and/or Telnet/CLI.
- 2) The management system shall be provided to remotely configure and diagnose the VE/VD.
- 3) Have capability to reset/reboot and firmware upload via the methods listed above.
- 4) Have the capability to remotely change any of the device configuration settings including bit rates, image resolution and compression settings and serial interface type.
- 5) Provide pre-defined optimized video compression and streaming settings for various bit rates.
- 6) Provide update capability for the firmware in the VE from the central site. Ability to access the serial number, firmware number, IP address and equipment configuration. Have the capability to upload firmware to multiple units automatically.
- 7) Provide ability for remote firmware upgrades.

**907-662.02.2.8--Electrical Requirements.** The minimum electrical/power requirements include:

- 1) Power: nominal input voltage of 120 VAC, 60 Hz.  $\pm 3$  Hz

- 2) If the device requires operating voltages of less than 120 VAC, the appropriate voltage converter shall be supplied. All voltage conversion devices shall also be temperature hardened as specified herein for location (field or central).
- 3) The equipment or it's voltage converter shall operate within a voltage range of 90 VAC to 135 VAC.
- 4) Power Consumption for a single VE or VD shall not exceed 30 Watts per video device.
- 5) The VE/VD shall provide for automatic recovery from an over or under voltage condition when prime power has returned to the tolerance values specified herein. All configuration parameters shall be stored in non-volatile memory and no reprogramming or manual adjustments shall be required upon power recovery.
- 6) Plug type transformer/power supplies shall be provided with a fastening device that shall securely attach the unit to the power outlet. No plug-in types will be accepted without a fastening mechanism. All corded transformers shall be mountable with the ability to neatly secure power cords.
- 7) Include UL listing.

**907-662.02.3--Fiber Video Codex.** Fiber Video Codex will be used where video will be transported in a non IP and/or ETHERNET communication system. This unit will be used when interfacing with current sites or when expanding existing sites or links that require the use of traditional video communication means. All Fiber Video Codex will be completely compatible and of same make and type as with existing Fiber Video Codex in the system unless approved otherwise by the Intelligent Transportation Systems Program Manager.

**907-662.03--Installation Requirements.** All video equipment shall be installed according to the manufacturer's recommendations, the Plans and as follows:

- 1) The Contractor shall furnish and install auxiliary video equipment in support of a communications network that will transport video as specified in these Special Provisions.
- 2) Materials and associated accessories/adapters shall not be applied contrary to the manufacturer's recommendations and standard practices.
- 3) The Contractor shall furnish all tools, equipment, materials, supplies, and manufactured hardware, and shall perform all operations and equipment integration necessary to provide complete, fully operational video equipment as specified herein, within the Plan set, and/or in the Contract Documents.
- 4) The Contractor shall provide the MDOT with a written inventory of items received and the condition in which they were received. Inventory shall be inclusive of make, model, and serial numbers, MAC address, and installation GPS coordinates. All equipment shall be installed according to the manufacturer's recommendations or as directed by the MDOT.
- 5) Any new, additional or updated drivers required for the existing ATMS software to communicate and control new video communication equipment installed by Contractor shall be the responsibility of the Contractor.

**907-662.03.1--Testing.** The Contractor shall conduct a Project Testing Program as required below. All costs associated with the Project Testing Program shall be included in overall contract prices; no separate payment will be made for any testing.

**907-662.03.1.1--Testing General Requirements.** The Contractor shall conduct a project testing program for all VE and VD provided. The project testing program for VE/VD shall include but is not limited to the specific requirements in this subsection.

- 1) All test results shall confirm physical and performance compliance with these Special Provisions.
- 2) Contractor shall submit all test results documentation to the Engineer for review within 14 calendar days of completion of the tests.
- 3) All test results shall be reviewed and approved by the Department prior to continuing with further tests and deployment activities. The Contractor is responsible for planning, coordinating, conducting and documenting all aspects of the Project Testing Program. The ITS Engineer, Project Engineer and/or their designee(s) are only responsible for attending and observing each test, and reviewing and approving the Contractor's test results documentation. The ITS Engineer, Project Engineer and/or their designee(s) reserve the right to attend and observe all tests. The Contractor is required to perform the Stand Alone Acceptance Test (SAT) and the Integration Test with the MDOT ITS Engineer or his designee present.

**907-662.03.1.2--Stand Alone Acceptance Test (SAT).** The Contractor shall perform a complete SAT on all video equipment and materials associated with the field device site, including but not limited to electrical service, cabling, etc. A SAT shall be conducted at every field device site with video equipment.

The SAT shall demonstrate that all video equipment and materials are in full compliance with all MDOT project requirements and fully functional as installed and in final configuration. The SAT shall demonstrate full compliance with all operational and performance requirements of the project requirements. All SATs also include a visual inspection of the cabinet and all construction elements at the site to ensure they are compliant with the Special Provisions. The SATs for each site type shall include but are not limited to the following:

- 1) Verify that physical construction has been completed as detailed in the plans.
- 2) Inspect the quality and tightness of ground and surge protector connections.
- 3) Verify proper voltages for all power supplies and related power circuits.
- 4) Connect devices to the power sources.
- 5) Verify all connections, including correct installation of communication and power cables.
- 6) Verify video image is present and free from over-saturation and any other image defect in both color and monochrome mode.
- 7) Verify network connection to the VE through ping and telnet session from a remote PC.
- 8) Verify serial data transmission through the VE serial ports.

**907-662.03.1.3--Integration Test.** The Contractor shall be responsible for a Integration Test on all provided video communications equipment with MDOTs existing Traffic Management control software and with the existing video wall control. The Contractor shall be responsible to

provide equipment that meets all requirements and is compatible with existing systems, TMC software, software drivers, and video wall systems or the Contractor shall provide new or updated software, software drivers, and system upgrades necessary to meet requirements at no additional cost to the State.

The Integration Test shall demonstrate full compliance with all operational and performance requirements of the project requirements including communications and control from the TMC. Integration Test shall include but are not limited to:

- 1) Verify VE supports unicast, multicast and network management features.
- 2) Video Switching through existing Traffic Management control software.
- 3) Verify integration with CCTV video and controls.
- 4) Compatibility with Existing Video Wall display formats.
- 5) Compatibility with MSTraffic web servers.
- 6) Verify RTSP functionality.

**907-662.03.2--Warranty.** Minimum warranty requirements are as follows:

- 1) All warranties and guarantees shall be assigned to the Mississippi Department of Transportation.
- 2) The warranty shall be a **minimum of one (1) year warranty** per VE and VD and all other installed and/or attached appurtenances.
- 3) The warranty period begins upon final acceptance of the video subsystem.
- 4) During the warranty period, the Contractor shall repair or replace with new or refurbished material, at no additional cost to the State, any product containing a warranty defect, provided the product is returned postage-paid by the Department to the manufacturer's factory or authorized warranty site.
- 5) Products repaired or replaced under warranty by the manufacturer shall be returned prepaid by the manufacturer.
- 6) During the warranty period, technical support shall be available from the Contractor via telephone within **four (4) hours** of the time a call is made by the Department, and this support shall be available from factory certified personnel.
- 7) During the warranty period, **updates and corrections to hardware**, software and firmware shall be made available to the Department by the Contractor at no additional cost.

**907-662.03.3--MDOT Employee Training.** Minimum Training requirements are as follows:

- 1) The training shall be approved two (2) week ahead of the scheduled date.
- 2) For provided devices that MDOT already has the same make and model existing in the system:
  - a. One (1) day of **on site** device operation, maintenance, and configuration training for up to 10 individuals.
  - b. One (1) day of **on site** system training at TMC for up to 10 people, that is separate from above training and specifically for software control of integrated devices.
- 3) For provided devices that MDOT does not have the same make and model existing in the system:

- a. Three (3) days of **on site** device operation, maintenance, and configuration training for up to 10 individuals.
- b. Three (3) days of **on site** system training at TMC for up to 10 people, that is separate from above training and specifically for software control of integrated devices.

**907-662.04--Method of Measurement.** Video Encoder, Video Decoder, Video Encoder / Decoder Chassis, Video Encoder Card, Video Decoder Card, and Fiber Video Codex will be measured per each.

**907-662.05--Basis of Payment.** Video Encoder, Video Decoder, Video Encoder/Decoder Chassis, Video Encoder Card, Video Decoder Card, and Fiber Video Codex, measured as prescribed above, will be paid for at the contract unit price bid per each, which price shall be full compensation for furnishing, installing, warranties, full operation and configuring the equipment in accordance with applicable Standards, Specifications, and requirements. It shall also include the mounting hardware (including any required VE/VD rack and power supplies), Cat-6 patch cords, power cable, user manuals, testing, warranties, serial cable as necessary, and any and all labor, tools, materials, equipment and incidentals necessary to complete the work.

Progress payment for Video Communication Equipment may be paid as follows:

- 1) 50% of the contract unit price upon delivery of equipment and approval of any bench and/or pre-installation test results, as prescribed in Project Testing Program;
- 2) An additional 40% of the contract unit price upon approval of Stand Alone Acceptance Test results; and
- 3) Final 10% of the contract unit price upon Final Project Acceptance.

Payment will be made under:

907-662-A: Video Encoder	- per each
907-662-B: Video Decoder	- per each
907-662-C: Video Encoder/Decoder Chassis	- per each
907-662-D: Video Encoder Card	- per each
907-662-E: Video Decoder Card	- per each
907-662-F: Fiber Video Codex	- per each

## MISSISSIPPI DEPARTMENT OF TRANSPORTATION

**SPECIAL PROVISION NO. 907-663-2**

**CODE: (SP)**

**DATE: 8/18/2015**

**SUBJECT: Traffic Signal Software**

**PROJECT: CM-0017-00(041) / 106852301 - Desoto County**

Section 907-663, Traffic Signal Software, is hereby added to and made a part of the 2004 Edition of the Mississippi Standard Specifications for Road and Bridge Construction as follows.

### **SECTION 907-663 -- TRAFFIC SIGNAL SOFTWARE**

**907-663.01--Description.** This work consists of providing configuration of the Central Management Signal Control Software that operates at the Traffic Management Center (TMC) in accordance with requirements set forth in these specifications.

**907-663.01.1--Central Management Signal Control Software Configuration.** These requirements apply to the configuration and addition of system and intersection maps, configuration of the intersections hardware, detection and devices in the software and databases, and configuration of new user and/or user groups with appropriate security credentials into the existing TMC Central Management Signal Control Software.

The Contractor must supply information regarding successful configuration of Central Management Signal Control System software comprised of a similar number of signal devices communicating on the same type of Ethernet topology. These references must also be provided along with the initial cut-sheet submittals.

#### **907-663.02--Materials.**

**907-663.02.1--Existing System.** The Department is currently migrating from its old ACTRA system to a new central system called Tactics that is to be accessed by both Department and City personnel. The field equipment is 100% Eagle EPAC signal controllers, and the new Tactics central system must be configured to include the existing equipment and new equipment that is included in this project with no additional field equipment being installed, beyond what is shown in the plans and specifications.

**907-663.02.2--System Capacity.** The current system supports up to 250 intersections. As part of this project, the system shall be upgraded to support an additional 100 field controllers. Each System Control Group has the ability to have up to 48 timing plans – 16-cycle and split combinations with three offsets for each.

**907-663.02.3--System Access and Security.** The contractor shall be responsible for setting up system users and user groups to allow for both MDOT and partner agencies to access



intersection system information for the intersections installed on this project. These groups, as a minimum, shall match current groups defined in the ACTRA system in this region. The Contractor shall be responsible for setting up to three (3) additional user groups as directed by the Department.

The System shall allow multiple Users to access the System simultaneously from client workstations in the central control center, from remote locations, and from multiple agencies. The System shall include built-in security features such as unique passwords and privilege levels for different Users, and privileges assigned based on affiliation with a particular jurisdiction or agency.

The System shall support clients that can run on any Windows XP or Windows 7 workstations. Multiple Users with different access privileges can simultaneously log in to the System.

Remote access shall be supported via a WAN, either high-speed or a dial-up. Both types of connections require properly configured and functioning Windows XP or Windows 7 User authentication. Once connected and authenticated, the user can use the System as if locally connected.

The System shall allow multiple agencies to simultaneously utilize the System without interfering with each other's operations. It may be desirable to restrict access to an entity to members of its owning agency. The application shall achieve this functionality by defining multiple jurisdictional agencies to which Users and entities may be assigned. This allows a User's access privileges to be assigned based on his affiliation with a particular agency.

**907-663.02.4--System Maps.** The Contractor is responsible for the creation of both a regional map of this project as well as detailed intersection maps as they exist at the time of system acceptance. This will be for a minimum of no less than 65 intersections. The DEPARTMENT may add to that quantity, at their discretion, not to exceed 10 additional intersections.

The System Maps shall display a geographic overview of the control area, or a map with icons denoting different objects and their respective properties. Examples of objects are intersections, dynamic message signs (DMS), and closed circuit television cameras (CCTV). These icons shall be automatically updated in real-time to display current object information such as the mode of operation of an intersection. Icons can be double-clicked or right-clicked to access further information or perform System operations subject to the user's access privileges, per the Department's direction.

System Maps shall provide current signal, operation, link, and System Detector status, as well as System Control Group membership. It shall be possible to display specific data through a filtering mechanism.

The System Map shall provide an intersection selection interface enabling the user to make a selection by pointing to a particular intersection object. When that object is selected, a more detailed view can be displayed. Right clicking on the intersection icon shall provide a popup menu for phase data, unit data, etc.



**907-663.02.4.1--Background.** The System-wide maps shall be capable of containing commercial vector images of geographically accurate maps or scanned images as backgrounds. Common, industry standard image formats, such as: .bmp, .rlc .jpg .bip .rs .bsq .ntf .tif .gis .img .ras .svf shall be supported.

The vector image formats supported shall include GIS data formats: ESRI Shape files (.shp .shx .dbf) ESRI ArcInfo Coverage files (.adf .tat .pat .rat) CAD drawings (.dwg, .dxf) Vector Product Format (VPF) table files (.pft .lft .aft .tft) and Spatial Database Engine (SDE) layers.

It shall be possible to have all files used for backgrounds be geographically referenced and use the same projection to allow the mapping display software to properly locate each layer relative to the other layers.

It shall also be possible to use simple bitmap files or vector drawings as map backgrounds.

**907-663.02.4.2--Adding Objects.** The Contractor shall be responsible for adding objects to the maps to represent the existing detection and other devices included into the intersection maps. The user shall be able to add objects to a Map by clicking on the graphic where the entity's icon should appear. It shall be possible to add existing objects to the map, or to create new entities while adding them to the map. Dialog boxes shall guide the operator through all of the steps required to define a new entity. The user shall have the capability to reposition objects as necessary. The user shall be able to add Intersections, on-street Masters, System Detectors, CCTV Cameras, Dynamic Message Signs, and other Maps as entities to a System Map.

**907-663.02.5--Intersection Level Maps.** The Contractor is responsible for the creation of an intersection map for all intersections included on this project.

The intersection maps display both static and dynamic information updated in real-time. The static information includes the geometry of the intersection (including a graphic display of the number of lanes and their associated use), adjacent land use, the location of the controller, and a layout of the intersection with the intersection's signal inventory number and name. The dynamic information displayed includes:

- a.) Vehicle signal phase status for each active phase and up to sixteen (16) overlaps
- b.) Pedestrian phase status for a minimum of sixteen (16) active phases
- c.) Call status of up to sixteen (16) vehicle phase detectors
- d.) Call status of up to sixteen (16) pedestrian phase detectors
- e.) Call status for up to eight (8) special detectors
- f.) Status of up to six (6) Special Alarms
- g.) Control mode in effect
- h.) Coordination plan in effect, if any (with cycle length and offset)
- i.) Cycle timer (if in coordinated mode)
- j.) Split timer (for coordinated phases)
- k.) Status of up to eight (8) special functions
- l.) Status of up to three (3) auxiliary outputs

The user is able to add, delete, and modify the phases on these graphical features. The graphical features shall be able to be placed anywhere on the intersection graphics background. The System shall also provide a text window to display data such as intersection name, cycle length, cycle counter, offset, etc. The user shall be able to select intersection backgrounds from a standard library of backgrounds or create a background using any tool that can create a bitmap graphic in a format that is supported by The System.

The intersection display shall use standard terminology. The dynamic information shall be updated in real-time in accordance with the once-per-second monitor messages. The intersection display shall provide a user the same information (in a similar format) that is available at the front panel of the controller. The intersection display shall be capable of being dynamically sized by a workstation user. Resizing the window shall not reduce the amount of data displayed on a workstation monitor and the same aspect ratio shall be maintained as before the resizing.

**907-663.02.6--Multiple Intersection Maps.** The Contractor is responsible for the creation of up to 10 multiple intersection maps selected and as directed by the Department. The user shall be able to create any number of Multiple Intersection Maps. A Multiple Intersection Map is a window divided into a grid of up to 7 by 7 panes. The user can assign a previously defined Local Map to each pane.

The System and the intersection mapping programs shall include the following enhancements:

- a.) Symbol graphics displayed on the screen shall change size accordingly with the map scale. If the user increases the size of the map, the map shall also increase the size of the symbol. This shall be done automatically and also the end user shall have the ability to changes sizes based on personal preferences.
- b.) Intersection map symbols should be readily available for rotation.
- c.) The System shall have the ability to copy existing intersection map symbols and display them on different parts of the intersection map while maintaining the scale and rotation factors.
- d.) The mapping system shall add the scroll bar functionality to the maps and allow the user to pan around using only those bars.
- e.) It shall be possible to bring up the intersection map window by clicking on an intersection icon. It shall also be possible to bring up a popup window with additional information concerning that icon and access to other functionality, by clicking on the icon.
- f.) The system map shall add a legend to the map upon request. It shall show current dataset representation, as well as the current symbols on the map.

**907-663.02.7--Time-Based Control (TBC).** The Contractor is responsible for matching the existing schedules in the central system being replaced. All existing schedules shall be replicated by the Contractor in the new Traffic Central Software, and shall be updated accordingly in the new software technology.

The Time-Based Control shall meet the following.

- a.) The Time-based (i.e., time-of-day (TOD), day-of-week (DOW), day-of-year (DOY)) mode of operation shall allow the advance scheduling of signal timing plans to be implemented for a group. Group commands may select the timing plan for the group to follow, but the specifics of the plan shall be stored in the local controller.
- b.) The software shall include a User-friendly TOD/DOW/DOY event scheduler, which shall allow certain operator commands to be scheduled in addition to mode and timing plan changes. Some specific requirements are as follows:
- c.) Events may be scheduled from any workstation provided that the user has appropriate security level
- d.) The number of events scheduled shall be limited only by the database capacity.
- e.) Event scheduling shall have a resolution of one minute.
- f.) Scheduling of events for multiple entities through a single entry shall be accommodated
- g.) Flash and special function implementation shall be accommodated
- h.) Schedules shall contain the schedule of events for each day of the week and for recurring holidays. Functions stored in the schedule shall remain unchanged after they have been executed.
- i.) The scheduler should not limit the number of day schedules. Each day schedule for each controller should not limit the number of event (state-change) times. Each event time shall be programmable for all possible function changes that are supported by the controller/time-based coordinator.
- j.) All System functions executed by the System shall be recorded in the System Event log. The System Event log shall identify the source of the executed function as being either the scheduler or the interactive User and shall log the source (TOD, Quick Response or User) as well as the user responsible for the function.
- k.) The software shall provide for the programming of a minimum of seven (7) days in advance to implement any of up to a minimum of three (3) temporary schedules to accommodate special circumstances. The temporary schedules shall override the normal daily plans.
- l.) The scheduler shall accommodate automatic adjustment for both the beginning and the end of leap year up to one (1) year in advance and Daylight Savings.

**907-663.02.8--Quick Response.** The Contractor shall program five quick response events as selected by the Department to demonstrate this capability and for use by the Department.

The Quick Response shall meet the following.

- a.) A Traffic Incident/Demand Management (Quick Response) mode of operation shall allow the System to dynamically react to current street conditions. For Quick Response to function, the control group shall use the TOD group mode. The user shall define a series of commands, referred to as the activation response, coupled with a Boolean statement comprised of logically connected (with and/or operators) conditions referred to as the trigger. When the entire logic statement (trigger) is true, the associated activation response shall be executed. The trigger definition, activation response and optional deactivation response together is termed an event.
- b.) A Quick Response event is subject to a User-selected minimum duration time and a lock-out time. The minimum duration time is the minimum time the event must remain active

unless manually disabled by the user. The lock-out time is the minimum time the event must remain inactive following deactivation before it may be reactivated. The event is followed by the deactivation response schedule, which is a series of commands to be executed upon deactivation of the trigger.

- c.) Conditions comprising the trigger may include time-of-day; volume, occupancy, or speed on a specified detector; intersection or System status; special function on/off; external command; or even another trigger.
- d.) Actual event activation and deactivation, User abort and activation errors shall be recorded in the System log. The System shall warn the user of conflicting activation response files, allowing the user to define conditions to alleviate the problem.
- e.) Quick response events shall be enabled or disabled by the user. A disabled event is one not eligible for execution even if its trigger condition is satisfied.

**907-663.02.9--Computer Hardware.** PC workstations shall not be provided by the Contractor, however, the Contractor shall be responsible for full testing and integration of the client software interface on the DEPARTMENT provided workstations. The Contractor shall notify the DEPARTMENT of any necessary hardware or operating system requirements for the PC workstations prior to integration of the system.

**907-663.03--Construction Requirements.** The Contractor shall be responsible for all configuration, integration, testing, and training of the Central Management Signal Control Software system and related components. Installation and Integration shall occur at the traffic signal operations center at the District 6 Hattiesburg, MS District Office. The installation requirements include onsite support for all deployment phases of the central software. The Contractor shall submit a plan for the cut-over of the old ACTRA system to the new Tactics software. The plan shall outline the steps for the cut-over, including system down time, intersection down time, system turn-on, and back up plans should the CMSC encounter issues with communications to the existing field devices. All configurations in the database and application software shall be completed and tested prior to system cut-over. Should communications to intersections be down more than seven (7) days, the Contractor shall submit an alternative plan for keeping all signal controller timing plans coordinated in the field.

**907-663.03.1--Integration & Configuration.** The Contractor shall be responsible for the full onsite configuration of the CMSC software and associated equipment. This integration includes both pre-installation as well as onsite work, including database configuration, map generation, and coordination for the appropriate parameters needed for a fully functional central management signal control system, as necessary for a full and complete operation.

Although the system can be set up in a bench area and tested prior to delivery, it is the Contractor’s responsibility to be onsite at all times during the physical configuration, turn-on, and cut over of the system. Remote access to the system for the configuration, and turn-on shall not be allowed unless approved by the MDOT State Traffic Engineer or their designee.

**907-663.03.2--Testing.** The Contractor shall be responsible for testing all components and software functions for new intersections once they are installed and configured in the field. The Contractor shall submit a test plan to be approved by MDOT.

**907-663.03.3--Training.** The Contractor shall conduct onsite training sessions for the CMSC Software. For each training session type, the Contractor shall submit a syllabus to the Engineer for approval, prior to scheduling the meeting. The training for all sessions shall be no more than 2 days in length unless otherwise approved by the engineer. These training sessions shall consist of:

- a.) Manager's Operation and Configuration Training – This training shall review the PC client-based detailed operation and device configuration parameters of the Central Signal Control System software. The detailed operation of the Central software shall also be shared with the managers, with specific attention to detailed report generation, and troubleshooting techniques, as well as startup and shut down of the server systems. The intended audience for this training is traffic signal engineers and advanced system operators/technicians.
- b.) Operators Monitoring, Reporting and Troubleshooting – This training shall review the PC/Server/Controller relationship, the general GUI and screen outputs of the system, general troubleshooting and reporting techniques, and what information should be monitored on a day to day basis. Reporting and monitoring features of the central software shall be reviewed with “hands-on” training by the attendees. Each attendee shall be able to pull general reports from the system and be able to monitor necessary functioning of the central software, and identify errors or issues for the Manager or Timing Engineer to address.
- c.) The Contractor shall provide all training materials, including manuals, ‘quick tips’ sheets, and written instructions for up to 5 attendees for each training module. These materials shall be in a neat, bound and tabbed format for easy and quick identification of the necessary sections. All training courses shall be coordinated with the DEPARTMENT, prior to scheduling. Each course or session shall be on successive days, but shall not run concurrent to each other, unless approved by the DEPARTMENT. Each type of training shall be scheduled with the appropriate personnel, as determined by the DEPARTMENT. Training shall be Monday through Thursday only, and shall not be scheduled on a DEPARTMENT recognized holiday.

**907-663.04--Method of Measurement.** The Central Management Signal Control Software shall be measured on a lump sum basis. This measurement shall include the cost of the configuration and integration of the new intersections and users into the existing software and associated databases. This measurement shall include all database license fees associated with the database software. Database licenses shall be provided for fifty (100) intersections. All database setup and testing shall be included in this pay item. This pay item shall include all labor, materials and equipment necessary for configuring the new a complete central software system. This payment shall also include all testing and training support as outlined in this special provision.

**907-663.05--Basis of Payment.** The CMSC software, measured as prescribed above, will be paid for at the contract unit price bid for the configuration of the central system software, modules and necessary companion software; which price shall be full compensation for

integration, configuration, testing and training, and all other materials, equipment, labor, tools and incidentals necessary to complete the work in accordance with the contract documents.

Payment will be made under:

907-663-A: Central Management Signal Control Software

- lump sum

**MISSISSIPPI DEPARTMENT OF TRANSPORTATION**

**SPECIAL PROVISION NO. 907-666-1**

**CODE: (SP)**

**DATE: 08/13/2015**

**SUBJECT: Electric Cable**

**PROJECT: CM-0017-00(041) / 106852301 -- Desoto County**

Section 666, Electric Cable, of the 2004 Edition of the Mississippi Standard Specifications for Road and Bridge Construction is hereby amended as follows.

**907-666.01--Description.** Delete the last sentence of the last paragraph in Subsection 666.01 on page 551 and substitute the following.

It shall include excavating, laying, placing tracer cable or tape, backfilling, replacing sod, aerial supports and/or pull-through conduits, as applicable; and transformer enclosures and/or terminal boxes when not placed under other items of the contract.

**907-666.02--Materials.** After the paragraph of Subsection 666.02 on page 551, add the following.

**907-666.02.1--Ground Mounted Meter Enclosure.**

**907-666.02.1.1--Meter Base.** Meter bases shall be NEMA Type 3R with a minimum rating of 100 amps and shall meet the requirements of the local utility. The meter base shall be provided with ampere rating of meter sockets based on sockets being wired with insulated wire rated at least 167 F. The meter base shall be designed for underground service.

Meter bases shall be 4 terminal, 600 volt, single phase, 3-wire furnished with the following:

- (a) Line, load and neutral terminals accepting #8 to 2/0 AWG copper/aluminum wire,
- (b) Ringed or ringless type, with or without bypass,
- (c) Made of galvanized steel,
- (d) Listed as meeting UL Standard UL-414, and
- (e) Underground service entrance as specified.

The meter bases shall have electrostatically applied dry powder paint finish, light gray in color, with a minimum thickness of 2.4 mils.

A 1-inch watertight hub for threaded rigid conduit shall be furnished with meter base.

**907-666.02.1.2--Disconnect.** External electrical service disconnects shall be furnished with a single pole 50-amp inverse time circuit breaker with at least 10,000 RMS symmetrical amperes short circuit current rating in a lockable in open or closed position in accordance with National

Electric Code (NEC) and be a NEMA 3R Type enclosure. The disconnect shall be listed as meeting UL Standard UL-489 and marked as being suitable for use as service equipment.

The disconnect enclosure shall be fabricated from galvanized steel and electrostatically apply dry powder paint finish, light gray in color, to yield a minimum thickness of 2.4 mils. Ground bus and neutral bus shall be provided with at least four terminals with minimum wire capacity range of number 14 through number 4.

For 480V service, a local utility approved, lockable, non-fused disconnect switch on the supply side of the meter base shall be furnished, installed, and labeled as “Utility Disconnect”. A separate load side disconnect with overcurrent protection shall be provided within two feet (2’) of the meter.

**907-666.02.1.3--Ground Mounted – Pedestal – Service Panel.** The pedestal shall be of NEMA Type 3R rainproof construction and shall be UL Listed as “Enclosed Industrial Control Equipment” (UL 508A). External construction shall comply with UL50 requirements and shall be of G90 galvanized steel with light green #14672 Federal Specification 595 polyurethane industrial grade powder paint

Hinges shall be stainless steel and of the continuous piano hinge type.

The pedestal mounting bolts shall not be externally accessible. The pedestal shall be able to be embedded in concrete or use anchor bolts for mounting on concrete base. Either pedestal mounting base or anchor bolt kit shall be used for installation.

The service pedestal should have three separate isolated sections for metering equipment, utility termination and customer equipment.

The metering section shall be pad-lockable and sealable and have a hinged swing hood with an integral hinged polycarbonate sealable window for access to demand meters. Meter socket type shall meet the requirements of the serving utility.

The utility termination section shall be pad-lockable and sealable and shall have a stainless steel handle provided on a lift-off cover. Sufficient clearance shall be provided for a 4-inch diameter conduit for utility cables entrance. Utility landing lugs shall be UL listed and shall accommodate conductor sizes between AWG #6 – 350 kcmil.

The customer compartment door shall be hinged on the left hand side. A stainless pad-lockable hasp shall be provided to secure customer compartment. A door keeper shall be provided to keep the door in an open position. A print pocket shall be provided on the inside of the door in a weatherproof sleeve. Required UL labeling shall be located on the inside of the customer door. Distribution and control equipment shall be behind an internal dead-front door with a quarter-turn securing latch and be hinged to open more than 90 degrees. The dead-front door shall be hinged on the same side as the customer section door. All distribution and control equipment shall be factory wired using 600-volt wire sized to NEC and UL requirements.



The service pedestal shall be rated for operation at 10K minimum amps interrupting capacity (AIC). The provided documentation shall list circuit breaker combinations and those to be used for de-rated operation for series ratings. Circuit breakers shall be permanently labeled with engraved name plates.

The serving utility shall be contacted for necessary requirements before ordering or installing equipment.

**907-666.02.2--Ground Mounted Transformer Enclosure.**

**907-666.02.2.1--Disconnect.** The disconnect shall meet the requirements of Subsection 907-666-01.2.

**907-666.02.2.2--Ground Mounted - Pedestal – Service Panel.** The ground mounted - pedestal – service panel shall meet the requirements of Subsection 907-666.01.3. In addition, the transformer shall be rated to match the requirement of the primary service and the types of load served as specified in the plans. The transformer unit shall be installed inside the enclosure and meet all applicable codes. Each transformer shall be furnished as one complete unit and wiring of multiple transformers to meet the required ratings at each enclosure location is not allowed. Step-up and Step-down transformers shall be designed specifically for each application. Reverse feeding of step-up and step-down transformers is not allowed. All transformers shall be designed for outdoor installation and rated 600 VAC and below.

**907-666.04--Method of Measurement.** After the first paragraph of Subsection 666.04 on page 553, add the following.

Ground Mounted Enclosures, complete in place and accepted, will be measured as a unit quantity per each for a complete and operable unit in accordance with the contract provisions.

**907-666.05--Basis of Payment.** After the first paragraph of Subsection 666.05 on page 553, add the following.

Ground mounted enclosures, measured as prescribed above, will be required wherever ground mounted meter enclosures or step-up or step-down transformers are noted as required in the plans. The enclosures shall be paid for at the contract unit price bid per each; which price shall be full compensation for any transformers (as described in the plans), foundation construction, cabinets, pedestals, meter bases, disconnects, relays, terminals, circuit breakers, sockets, hubs, buses, connectors, mounting material, all other materials for constructing, installing, connecting, testing and final cleanup; and for all equipment, labor, tools and incidentals necessary to complete the work in accordance with the contract documents.

After the last pay item listed on page 554, add the following.

907-666-F: Ground Mounted \* Enclosure - per each

\* Indicates Meter or Transformer Enclosure Type

## MISSISSIPPI DEPARTMENT OF TRANSPORTATION

SPECIAL PROVISION NO. 907-668-1

CODE: (SP)

DATE: 04/01/2009

SUBJECT: Traffic Signal Conduit

Section 668, Traffic Signal Conduit, of the 2004 Edition of the Mississippi Standard Specifications for Road and Bridge Construction is hereby amended as follows:

**907-668.03--Construction Requirements.** After the last paragraph of Subsection 668.03.1 on page 556 add the following:

- (i) Where indicated on the plans, individual conduits shall be configured into a continuous duct bank from terminal to terminal.

**907-668.04--Method of Measurement.** Delete Subsection 668.04 on page 559 and substitute the following:

Traffic signal conduit or conduit bank will be measured by the linear foot computed horizontally along the signal conduit or conduit bank, such measurement being made from the point of beginning to the point of termination of all sections of conduit or conduit bank, in trench, under roadways, or supported on structures.

Jacking, drilling, excavating, backfilling and replacement of sod will not be measured for separate payment, but shall be incidental to and included in the contract unit prices for Direct Burial and Jacked or Drilled underground installations as applicable.

Messenger cable and other supporting devices for aerial supported signal conduit or conduit bank will not be measured for separate payment but shall be incidental to and included in the contract unit price for traffic signal conduit, aerial supported.

When a "conduit bank" is specified, the per linear foot price of the conduit bank shall include the total number of conduits specified. Each conduit is NOT paid for separately.

The bid price for underground conduit shall be the same regardless of whether it is installed by trenching, plowing or boring, except for locations specifically identified as "Bored" in the contract plans and those items shall be paid for under the drilled or jacked pay item.

**907-668.05--Basis of Payment.** Delete the first paragraph of Subsection 668.05 on page 559, and substitute the following:

Traffic signal conduit or conduit bank, measured as prescribed above, will be paid for at the contract unit price per linear foot, which price shall be full compensation for furnishing, laying, placing, forming, curing, connecting, supporting aurally, cleaning and testing all conduit, pull

boxes, junction boxes not specified on plans or ordered, and incidental materials; for all excavating, backfilling, boring, drilling and/or jacking necessary for subsurface installations; for replacing sod; encasement in concrete; final cleaning up; and for all labor, equipment, tools and incidentals necessary to complete the work.

After the last Pay Item on page 560, add the following Pay Items:

- 907-668-E: Traffic Signal Conduit Bank, Underground, Type,  
Size and Number - per linear foot
- 907-668-F: Traffic Signal Conduit Bank, Underground Drilled or Jacked,  
Type, Size and Number - per linear foot
- 907-668-G: Traffic Signal Conduit Bank, Aerial Supported, Type,  
Size and Number - per linear foot
- 907-668-H: Traffic Signal Conduit Bank, Underground Encased in Concrete,  
Type, Size and Number - per linear foot

# MISSISSIPPI DEPARTMENT OF TRANSPORTATION

SPECIAL PROVISION NO. 907-670-2

CODE: (SP)

DATE: 08/15/2015

SUBJECT: ITS Radar Detection System

Section 907-670, ITS Radar Detection System (IRDS), is hereby added to and becomes a part of the 2004 Edition of the Mississippi Standard Specifications for Road and Bridge Construction as follows.

## **SECTION 907-670--ITS RADAR DETECTION SYSTEM (IRDS)**

**907-670.01--Description.** This special provision specifies the minimum requirements for ITS Radar Detection Systems (IRDS) furnished and installed on this project. The work shall consist of providing all labor, materials, equipment, and incidentals necessary to furnish, install, test, train and operate the IRDS.

The IRDS will provide roadway monitoring capabilities via microwave radar detectors. The data provided includes, but is not limited to, speeds, volume, lane occupancy and classification.

### **907-670.02--Materials.**

**907-670.02.1--Microwave Transmission.** The microwave radar detector shall transmit in the 24 GHz frequency band. The IRDS shall not interfere with any known equipment.

**907-670.02.2--Area of Coverage.** The IRDS's field of view shall cover an area with a minimum detection range of six feet (6') from the IRDS and a maximum detection range of 250 feet from the IRDS.

**907-670.02.3--Detection Zones.** The minimum number of detection zones defined shall be no less than twelve (12) for simultaneous detection. The range resolution of each zone shall be no greater than 1.3 feet, and the zone width shall be user defined within a range of 6 – 20 feet for the area of coverage limits described above.

**907-670.02.4--Capabilities.** The IRDS shall be a true presence detector. It shall be suitable for mounting on roadside poles or on overhead structure and provide the following:

- 1) Presence indication of moving or stopped vehicles in its detection zones, provided by contact closure to existing controllers.
- 2) Traffic data, periodically accumulated over user defined time intervals in a 10 to 600 sec range, shall be transmitted to the TMC via the communications network.
- 3) Traffic data shall be available simultaneously with detection zone contact closures and serial communications.

- 4) Side-fired configuration data shall include the following in each of up to twelve (12) detection zones (lanes): Volume, lane occupancy, and average speed, as well as vehicle classification by length in up to six (6) user-defined classes.
- 5) IRDS in forward-looking configuration shall monitor traffic in one lane and be capable providing the following data: Volume, occupancy, average speed and travel direction in the lane.
- 6) Furnish the unit with the required software for data collection, processing, configuration and set-up and data logging and retrieval. An operator shall be able to use the software to set detector count periods, sensitivities and other operational features and parameters. The software must be capable of providing both manual and automatic setup and calibration.

**907-670.02.5--Measurement Accuracy.** The following error levels shall be achievable and demonstrated during testing:

<u>Parameter</u>	<u>Error Percentage</u>
Volume	±8%
Average Speed	±10% or ±5 mph
Lane Occupancy	±20%

**907-670.02.6--Environmental Conditions and Protection.** Except as stated otherwise herein, the equipment shall meet all its specified requirements during and after subjecting to any combination of the following:

- 1) Ambient temperature range of -37° to +74°C
- 2) Relative humidity from 5 to 95 percent, non-condensing
- 3) Winds up to 90 mph (sustained) with a 30% gust factor
- 4) Rain and other precipitation up to 3.5 inches/hour
- 5) Power surge that meets the EN 61000-4-5 standards shall be included.

**907-670.02.7--Mechanical.** The microwave radar detector shall be enclosed in a rugged weatherproof box and sealed to protect the unit from wind up to 90 mph, dust and airborne particles and exposure to moisture ).

The mounting assembly shall have all coated steel, stainless steel, or aluminium construction and shall support a load of 20 pounds. The mounting assembly shall be constructed in a manner to provide the necessary degrees of rotation to ensure proper installation.

**907-670.02.8--Electrical.** The IRDS unit and power supply shall operate on 12–24 VDC or 115-220 VAC input voltage with power converter provided. The AC to DC power converter shall be provided in the cabinet. The actual IRDS shall consume less than eight (8) Watts with a DC input between 12VDC and 28VDC.

Surge Suppression shall be provided to protect the equipment from surges on the IRDS power supply and the IRDS communications wiring. Surge suppression shall meet all manufacturer recommendations.

**907-670.02.9--IRDS Comm Cables.** The IRDS Comm Cable shall be a composite cable for power and communications. IRDS Comm Cable shall be provided between the IRDS and the cabinet located on the same pole as the IRDS. This length of IRDS Comm cable shall be included in the cost of the IRDS and is not called out separately on the plans.

The plans also identify additional locations where IRDS Comm Cable is measured and paid separately. These longer runs are between the standalone IRDS and the closest Type B cabinet. These longer runs of IRDS Comm Cable shall provide power and communications to the IRDS. The size and design of this IRDS Comm Cable shall meet manufacturers recommendations based on a maximum length of 2,000 feet from the IRDS to the Type B cabinet. The same cable type shall be used at all locations.

Cable connectors and termination pin-out on all cables shall be in accordance with the manufacturer's recommendations.

Connection between the IRDS and the cabinet equipment shall be provided by a single IRDS Comm Cable using a single MS crimp multi-pin connector providing multiple options of power and output signals meeting all manufacturer's recommendations.

At a minimum, the IRDS Comm Cable shall be outdoor wet/dry rated UV-resistant and provide multiple twisted pairs of stranded AWG wire size and materials as recommended by manufacturer based on specific field conditions.

The MS connector pins must be crimped to the cable conductors and assembled and tested by the manufacturer prior to installation and pulling of cable on site.

**907-670.02.10--Electrical Isolation and Surge Protection.** All communication and power lines, contact closures and the serial port shall be surge protected within the unit. Contact closures and the serial port shall be isolated. When IRDS Comm cable lengths exceed 40 feet, surge suppression shall also be provided on each end of the IRDS Comm Cable. All surge suppression shall meet IRDS manufacturers recommendations for the specific field conditions present and shall be included in the cost of the IRDS. Surge protection shall be provided in a cabinet mounted on the same pole as the IRDS. If the IRDS is mounted on a CCTV pole, the surge protection shall be provided inside the Type B cabinet. If the IRDS is mounted on a standalone pole, a separate fiberglass enclosure cabinet shall be provided. This cabinet size and design shall meet manufacturer recommendations and shall be included in the cost of the IRDS.

Surge suppressor for the RS485 data signal, wired between the terminal server and the IRDS units shall be provided. The surge suppressor shall protect the 4-wire RS485 data signal with hybrid multi-stage suppression components including gas tube and silicon avalanche diode. The surge suppressor shall have a response time no greater than one (1) nanosecond. The surge suppressor shall provide terminal facilities for a minimum of four two-pair cables of #22 AWG conductors.

**907-670.02.11--Data Interface.** Data communications shall be full duplex asynchronous, configurable as:

- 1) The IRDS shall include isolated Serial ports programmable to RS-232 and/or RS-485.
- 2) Both point-to-point and multi-dropped configurations shall be supported.
- 3) The IRDS shall be upgradable (optional) to include integral 10/100 Base-T Ethernet supporting TCP, UDP, IP, ARP, ICMP.

**907-670.03--Installation Requirements.** All equipment shall be installed according to the manufacturer's recommendations, the Plans and as follows:

- 1) The IRDS shall be mounted in side-fired or front facing configuration on poles as shown in the Plans, using mounting brackets. The brackets shall be attached with approved 3/4-inch wide stainless steel bands.
- 2) The Contractor shall install the detector unit on a pole at the manufacture's recommended height above the road surface so that the masking of vehicles is minimized and that all detection zones are contained within the specified elevation angle as suggested by the manufacturer.
- 3) When installing a detector near metal structures, such as building, bridges, or sign supports, the sensor shall be mounted and aimed so that the detection zone is not under and does not pass through any structure to avoid distortion and reflection.
- 4) The IRDS mode of operation, detection zones and other calibration and set up will be performed using a MS-Windows-based software and a Notebook PC. The software shall allow verification of correct setup and diagnostics. It shall include facilities for saving verification data and collected data as well as saving and retrieving sensor setup from disk file.
- 5) Unused conductors in the ITS RDS Comm Cable shall be grounded or terminated in the cabinet in accordance with the manufacture's recommendations. Terminated conductors shall be individually doubled back and taped, then loosely bundled and secured.
- 6) The Contractor shall provide the MDOT with a written inventory of items received and the condition in which they were received. Inventory shall be inclusive of make, model, and serial numbers, MAC address, and installation GPS coordinates. All equipment shall be installed according to the manufacturer's recommendations or as directed by the MDOT.
- 7) Any new, additional or updated drivers required for the existing ATMS software to communicate and control new IRDS installed by Contractor shall be the responsibility of the Contractor.

**907-670.03.1--Testing.** The Contractor shall conduct a Project Testing Program as required below. All costs associated with the Project Testing Program shall be included in overall contract prices; no separate payment will be made for any testing.

- 1) The Contractor is responsible for planning, coordinating, conducting and documenting all aspects of the Project Testing Program. The ITS Engineer, Project Engineer and/or their designee(s) are only responsible for attending and observing each test, and reviewing and approving the Contractor's test results documentation. The ITS Engineer, Project Engineer and/or their designee(s) reserve the right to attend and observe all tests. The Contractor is required to perform the Conditional Acceptance test with the MDOT ITS Engineer or his designee present.
- 2) Each test shall fully demonstrate that the equipment being tested is clearly and definitely in full compliance with all project requirements.
- 3) Test procedures shall be submitted and approved for each test as part of the project

submittals. Test procedures shall include every action necessary to fully demonstrate that the equipment being tested is clearly and definitively in full compliance with all project requirements. Test procedures shall cross-reference to these specifications or the project plans. Test procedures shall contain documentation regarding the equipment configurations and programming.

- 4) No testing shall be scheduled until approval of all project submittals and approval of the test procedures for the given test.
- 5) The Contractor shall provide all ancillary equipment and materials as required in the approved test procedures.
- 6) The Contractor shall request in writing the Project Engineer's approval for each test occurrence a minimum of 14 days prior to the requested test date. Test requests shall include the test to be performed and the equipment to be tested. The Project Engineer reserves the right to reschedule test request if needed.
- 7) All tests shall be documented in writing by the Contractor in accordance with the test procedure and submitted to the Project Engineer within seven (7) days of the test. Any given test session is considered incomplete until the Project Engineer has approved the documentation for that test session.
- 8) All tests deemed by the Project Engineer to be unsatisfactorily completed shall be repeated by the Contractor. In the written request for each test occurrence that is a repeat of a previous test, the Contractor shall summarize the diagnosis and correction of each aspect of the previous test. The Contractor shall summarize the diagnosis and correction of each aspect of the previous test that was deemed unsatisfactory. The test procedures for a repeated test occurrence shall meet all the requirements of the original test procedures, including review and approval by the Project Engineer and ITS Manager or his designee.
- 9) The satisfactory completion of any test shall not relieve the Contractor of responsibility to provide a completely acceptable and operating system that meets all requirements of this project.
- 10) Test shall include verification of detection for each lane of traffic per site.

**907-670.03.2--Standalone Acceptance Test (SAT).** The Contractor shall perform a complete SAT on all equipment and materials associated with the field device site, including but not limited to electrical service, conduit, pull boxes, communication links (fiber, leased copper, wireless), control cables, poles, etc. An SAT shall be conducted at every field device site. Where applicable, a SAT shall be conducted for a fully installed and completed connection to the designated Traffic Management Center (TMC) or central data/video collection site.

The SAT shall demonstrate that all equipment and materials are in full compliance with all project requirements and fully functional as installed and in final configuration. The SAT shall also demonstrate full compliance with all operational and performance requirements of the project. All SATs will include a visual inspection of the cabinet and all construction elements at the site to ensure they are compliant with the specifications.

**907-670.03.3--Warranty.** The Radar Detection System shall be warranted to be free of manufacturer defects in materials and workmanship for a period of one year from the date of Final Acceptance. Equipment covered by the manufacturer's warranties shall have the registration of that component placed in MDOT's name prior to Final Inspection. The Contractor is responsible for ensuring that the vendors and/or manufacturers supplying the components and providing the equipment warranties recognize MDOT as the original purchaser



and owner/end user of the components from new. During the warranty period, the supplier shall repair or replace with new or refurbished material, at no additional cost to the State, any product containing a warranty defect, provided the product is returned postage-paid by the Department to the supplier's factory or authorized warranty site. Products repaired or replaced under warranty by the supplier shall be returned prepaid by the supplier.

During the warranty period, technical support shall be available from the supplier via telephone within four hours of the time a call is made by the Department, and this support shall be available from factory certified personnel. During the warranty period, updates and corrections to control unit software shall be made available to the Department by the supplier at no additional cost.

**907-670.03.4--MDOT Employee Training.** The supplier of the ITS Radar Detection System shall, at a minimum, provide a 4-hour operations and maintenance training class with suitable documentation for up to eight (8) persons selected by the Department. The training must include both classroom style training and hands-on training in the field of the maintenance and troubleshooting procedures required for the system. The training should also consist of a hands-on demonstration of all software configuration and functionality where applicable. The operations and maintenance class shall be scheduled at a mutually acceptable time and location.

**907-670.03.5--Maintenance and Technical Support.** The supplier shall maintain an adequate inventory of parts to support maintenance and repair of the ITS Radar Detection System. The manufacturer of the ITS Radar Detection System must provide, and have a parts support system capable of providing parts for a period of five (5) years from the date of system acceptance. Spare parts shall be available for delivery within 30 days of placement of an acceptable order at the supplier's then current pricing and terms of sale of said spare parts.

The suppliers shall maintain an ongoing program of technical support for the ITS Radar Detection System. This technical support shall be available via telephone or via personnel sent to the installation site upon placement of an acceptable order at the supplier's then current pricing and terms of sale of said technical support services.

**907-670.04--Method of Measurement.** The ITS Radar Detection System provided will be measured per each IRDS installation. Such installation shall be inclusive of furnishing, installing, system integration and testing and training of a complete IRDS including the unit, the ITS RDS Comm Cable between the unit and the cabinet, pole mounted cabinet (except where Type B cabinet is required), surge suppressions, Communication Protocol Converters (if required), all conduit, risers and weatherhead between the IRDS and the cabinet, interconnection wiring, power supply, surge suppression, connections to support structures (includes all incidental components, attachment hardware, mounting brackets, mounting arms, bolts, or any other items to mount the IRDS as intended), satisfactory completion of testing and training requirements and all work, equipment and appurtenances as required to effect the full operation including remote and local control of the IRDS site complete in place and ready for use. The price bid shall also include all system documentation including: shop drawings, operations and maintenance manuals, wiring diagrams, block diagrams and other material necessary to document the operation of the IRDS.

ITS RDS Comm Cable, where specified in the plans, will be measured by the linear foot, measured horizontally along the conduit. This shall be inclusive of furnishing, installing, system integration and testing of the ITS RDS Comm Cable. It shall also include all connections and terminations. Note that the ITS RDS Comm Cable between the actual RDS unit and the cabinet on the same pole is NOT measured or paid separately and shall be included in the cost of the IRDS.

**907-670.05--Basis of Payment.** ITS Radar Detection System, measured and prescribed above, will be paid for at the contract unit price bid per each, which price shall be full compensation for furnishing all materials, construction installation, connecting, testing, for all equipment, tools, labor and incidentals required to complete the work.

Progress payments for the ITS Radar Detection System may be paid in accordance with the following:

- 1) 80% of the contract unit price upon completion of the installation and any standalone acceptance testing, and
- 2) 20% of the contract unit price upon final system acceptance.

ITS RDS Comm Cable, measured and prescribed above, will be paid for at the contract unit price bid per linear foot, which price shall be full compensation for furnishing all materials, construction installation, connecting, testing, for all equipment, tools, labor and incidentals required to complete the work.

Progress payments for ITS RDS Comm Cable may be paid in accordance with the following:

- 1) 30% of the contract unit price upon delivery to the site. Delivery cannot be more than 60 days before anticipated installation; and
- 2) 70% of the contract unit price upon complete installation and Stand Alone testing of the Radar Detection System connected to the ITS RDS Comm Cable.

Payment will be made under:

907-670-A: ITS Radar Detection System - per each

907-670-B: ITS RDS Comm Cable - per linear foot

# MISSISSIPPI DEPARTMENT OF TRANSPORTATION

SPECIAL PROVISION NO. 907-674-1

CODE: (SP)

DATE: 09/15/2015

SUBJECT: Travel Time Sign

Section 907-674, Travel Time Sign, is hereby added to and made a part of the 2004 Edition of the Mississippi Standard Specifications for Road and Bridge Construction as follows.

## SECTION 907-674--TRAVEL TIME SIGN

**907-674.01--Description.** This consists of furnishing, installing and integrating a stationary electronic Travel Time Sign (TTS) assembly. The Contractor shall supply a complete operating Light Emitting Diode (LED) sign including the sign housing, the static sign detail face, sign controller unit (SCU), roadside TTS controller cabinet, all cabling, conduits, electrical service, surge suppression and all hardware associated with a complete installation as required by these Special Provisions.

The TTS assemblies will provide MDOT personnel with a means to visually communicate travel times with motorists to specific destinations or roadways on the roadway network.

### **907-674.02--Materials.**

**907-674.02.1--TTS Components.** Each TTS shall include the following main components:

- 1) Housing
- 2) Face Panel
- 3) Support Structure
- 4) LED Modules.
- 5) LED Drivers.
- 6) Power Supplies
- 7) TTS Cabinet.
- 8) Sign Controller
- 9) Surge Protection Device (SPD)

**907-674.02.1.1--Housing.** The housing shall allow for surface mounting using Mill finish Aluminum. Engineer shall approve sign housing dimensions.

**907-674.02.1.2--Face Panel.** The Face Panel shall be capable of being mounted on the housing and shall be an Aluminum mask over polycarbonate. The face panel shall be capable of displaying static roadway information as defined and layed out in plans for Sign Face Detail while making visible the LED modules.

**907-674.02.1.3--Support Structure.** The TTS and the TTS components shall be pole mounted

on two roadside sign supports as shown in the TTS Sign Mounting Details.

**907-674.02.1.4--LED Modules.** LED Modules shall be as follows:

- 1) Use High Intensity Amber LEDs
- 2) LED Intensity of 9200 candelas
- 3) Uses Pixel Matrix of 7 rows by 10 columns with 46mm pitch.
- 4) Each Pixel Matrix capable of displaying 12 inch Character using 7x4 font
- 5) Capable of using up to 6 LED Panels to create a single set.

**907-674.02.1.5--LED Driver.** LED Driver shall be as follows:

- 1) Use NTCIP 1203 protocol
- 2) Ethernet communications through sign controller

**907-674.02.1.6--Power Supplies.** The TTS power shall be 120/240 VAC using single phase power and 3 wire interconnect plus ground. The TTS shall consume no more than 160 watts even with up to six (6) LED panels in the configuration.

**907-674.02.1.7--TTS Cabinet.** The TTS Cabinet shall be as follows:

- 1) Front Access with single door
- 2) Pole Mounted
- 3) Shall use Corbin #2 Key
- 4) Shall have a Aluminum Mill Finish
- 5) Shall be no larger than 3'6" x 2' x 1'4" and no more than 135 lbs

**907-674.02.1.8--Sign Controller.** The TTS Sign Controller shall include the following:

- 1) Communicate using NCIP 1203 protocol.
- 2) Support Ethernet communications over cellular, fiber, radio, and network
- 3) Have local control port and LCD keyboard
- 4) Capable of power and communication between controller to LED Panels of up to 350'

**907-674.02.1.9--Surge Protection Device (SPD).** A SPD intalled for TTS control equipment protection shall be connected in series and meet the following minimum electrical requirements:

- 1) Withstand a peak 50,000-ampere surge current for an 8x20 microsecond wave form
- 2) Maximum continuous operating current of 15 amps at 120 VAC, 60 Hz
- 3) UL 1449 surge rating of 400V or less
- 4) Temperature range of -40°F to +158°F (-40°C to +70°C)

**907-674.02.10--Environmental Requirements.** Each TTS system shall be capable of operating between -34°F to +115°F and up to 99% Humidity non-condensing

**907-674.02.11--NTCIP Compliance Documentation.** Software shall be supplied with full

documentation, including a CD-ROM containing ASCII versions of the following Management Information Base (MIB) files in Abstract Syntax Notation 1 (ASN.1) format:

- 1) The relevant version of each official standard Mill Module referenced by the device functionality.
- 2) If the device does not support the full range of any given object within a Standard Mill Module, a manufacturer specific version of the official Standard Mill Module with the supported range indicated in ASN.1 format in the SYNTAX and/or DESCRIPTION fields of the associated OBJECT TYPE macro. The filename of this file shall be identical to the standard MIB Module, except that it will have the extension ".man".
- 3) A MIB Module in ASN.1 format containing any and all manufacturer-specific objects supported by the device with accurate and meaningful DESCRIPTION fields and supported ranges indicated in the SYNTAX field of the OBJECT-TYPE macros.
- 4) A MIB containing any other objects supported by the device.
- 5) Additionally, the manufacturer shall provide a test procedure that demonstrates how the NTCIP compliance of both, the data dictionaries (NTCIP 1203 and their amendments) and the communications protocols have been tested.
- 6) The manufacturer shall allow the use of any and all of this documentation by any party authorized by the Procuring Agency for systems integration purposes at any time initially or in the future, regardless of what parties are involved in the systems integration effort.

**907-674.03--Installation Requirements.** All equipment shall be installed according to the manufacturer's recommendations, the Plans and as follows:

- 1) The Contractor shall provide the MDOT with a written inventory of items received and the condition in which they were received. Inventory shall be inclusive of make, model, and serial numbers, MAC address, and installation GPS coordinates. All equipment shall be installed according to the manufacturer's recommendations or as directed by the MDOT.
- 2) Any new, additional or updated drivers required for the existing ATMS software to communicate and control new TTS installed by the Contractor shall be the responsibility of the Contractor.

**907-674.03.1--Certified Installation.** Installation of the Travel Time Signs shall be performed by the supplier or a Contractor trained and certified by the supplier. If a certified Contractor performs the installation and configuration, a supplier factory representative shall supervise and assist a Contractor during installation and configuration.

**907-674.03.2--Testing.** Each TTS shall undergo testing to verify conformance to special provision as follows. The Contractor shall conduct a Project Testing Program as required below. All costs associated with the Project Testing Program shall be included in overall contract prices; no separate payment will be made for any testing.

**907-674.03.2.1--General Requirements.**

- 1) The Contractor is responsible for planning, coordinating, conducting and documenting all aspects of the Project Testing Program. The Project Engineer, ITS Engineer, and/or their

designee(s) are only responsible for attending and observing each test, and reviewing and approving the Contractor's test results documentation. The Project Engineer, ITS Engineer, and/or their designee(s) reserve the right to attend and observe all tests. The Contractor is required to perform the TTS Sub-System test and the Conditional Acceptance test with the MDOT ITS Engineer or his designee present.

- 2) Each test shall fully demonstrate that the equipment being tested is clearly and definitely in full compliance with all project requirements.
- 3) Test procedures shall be submitted and approved for each test as part of the project submittals. Test procedures shall include every action necessary to fully demonstrate that the equipment being tested is clearly and definitely in full compliance with all project requirements. Test procedures shall cross-reference to these specifications or the project plans. Test procedures shall contain documentation regarding the equipment configurations and programming.
- 4) No testing shall be scheduled until approval of all project submittals and approval of the test procedures for the given test.
- 5) The Contractor shall provide all ancillary equipment and materials as required in the approved test procedures.
- 6) The Contractor shall request in writing the Project Engineer's approval for each test occurrence a minimum of 14 days prior to the requested test date. Test requests shall include the test to be performed and the equipment to be tested. The Project Engineer reserves the right to reschedule test request if needed.
- 7) All tests shall be documented in writing by the Contractor in accordance with the test procedure and submitted to the Project Engineer within seven (7) days of the test. Any given test session is considered incomplete until the Project Engineer has approved the documentation for that test session.
- 8) All tests deemed by the Project Engineer to be unsatisfactorily completed shall be repeated by the Contractor. In the written request for each test occurrence that is a repeat of a previous test, the Contractor shall summarize the diagnosis and correction of each aspect of the previous test. The Contractor shall summarize the diagnosis and correction of each aspect of the previous test that was deemed unsatisfactory. The test procedures for a repeated test occurrence shall meet all the requirements of the original test procedures, including review and approval by the Project Engineer and ITS Manager.
- 9) The satisfactory completion of any test shall not relieve the Contractor of responsibility to provide a completely acceptable and operating system that meets all requirements of this project.

**907-674.03.2.2--TTS Factory Acceptance Test (FAT).** The Contractor shall perform FAT on the TTS prior to shipping from the factory. The goal of the TTS FAT is to verify that the TTS meets the requirements of this special provision.

Factory Acceptance Tests shall be conducted at the Manufacturer or Contractor facility or at a facility acceptable to all parties. All equipment to be utilized for this project shall be subject to tests that demonstrate the suitability of the design and compliance with the contract requirements, unless an exception for an equipment item is granted by the Project Engineer. The tests shall be performed on production units identified to be delivered under this contract.

The FAT procedure shall demonstrate all requirements defined in these specifications are met, including, but not limited to: functional/system performance requirements, electrical requirements, data transmission/communication requirements, safety/password requirements, environmental requirements, and interface requirements with other components of the project system.

The Project Engineer reserves the right to waive FATs which are deemed to be unnecessary and reserves the right to witness all FATs that are determined to be critical to the project. At a minimum, the Project Engineer and/or the Project Engineer's representative, will be in attendance at the FAT for the first three (3) units tested. The FAT for the first three (3) units shall be conducted during the same period. The Project Engineer shall be notified a minimum of forty- five (45) calendar days in advance of such tests. Salary and travel expenses of the Project Engineer and the Project Engineer representatives will be the responsibility of MDOT. In case of equipment or other failures that make a retest necessary, travel expenses of the Project Engineer and the Project Engineer's representatives shall be the responsibility of the Contractor. This shall include all costs including, but not limited to, airfare, automobile rental, lodging, and per diem. These costs, excluding airfare shall not exceed \$500.00, per representative, per day. These costs shall be deducted from payment due or charged to the withholding account of the Contractor when the project is terminated.

The vendor must complete the FAT on all remaining units on their own and submit documentation to the Project Engineer that the FATs were completed. The Project Engineer reserves the right to randomly attend those FAT tests.

No equipment for which a FAT is required shall be shipped to the project site without successful completion of factory acceptance testing as approved by the Project Engineer and the Engineer's approval to ship.

**907-674.03.2.3--TTS Pre-Installation Test (PIT).** The Contractor shall perform PIT on the TTS as they arrive from the factory. The goal of the TTS PIT is to verify that the TTS were not damaged during shipping. The PIT shall test or inspect the following TTS components:

- 1) External or internal visible damage
- 2) TTS display damage
- 3) Verify all pixels are operational
- 4) Verify the ventilation system works
- 5) Verify all equipment is secured
- 6) Verify sign configurations

**907-674.03.2.4--TTS Stand Alone Test (SAT).** The Contractor shall perform SAT on the TTS as they arrive from the factory. The goal of the SAT is to verify that the TTS has been properly installed and commissioned according to the manufacturer requirements. The SAT shall include at minimum the following tests and inspections:

- 1) Verify the signs have been attached properly to the structure.
- 2) Verify the sign case and roadside cabinet have been grounded.

- 3) Verify the sign has been properly connected to the power.
- 4) Verify the sign case has no structural damage or deformities.
- 5) Verify all pixels are operational
- 6) Verify local sign control through the serial port
- 7) Verify local sign control through the Ethernet port.

**907-674.03.2.5--TTS Sub-System Test (SST).** The Contractor shall perform SST on the TTS to verify that the sign is operational from central. The goal of the SST is to verify that all remote TTS functions and alarms are operational. The Contractor shall coordinate the SST with the MDOT ITS Engineer. The Contractor shall provide a SST plan to the MDOT ITS Engineer and be approved a minimum of two week in advance of tests being performed.

**907-674.03.2.6--Conditional System Acceptance Test (CSAT).** The Contractor shall perform a complete conditional system acceptance test on all equipment and materials in the project. The Contractor shall not request the conditional system acceptance test for a phase until the SATs have been satisfactorily completed, all as-built documentation has been submitted and approved, and all other project work has been completed to the satisfaction of the Engineer. Prior to a Conditional System Acceptance Test, the Contractor shall provide advance notice of and written test results documentation that the Contractor has performed a dry-run of the conditional system acceptance test, and the Engineer reserves the right to require attendance of a dry-run test session.

The Contractor shall test all project systems simultaneously from the TMC in a manner equivalent to the normal day-to-day operations of the system. The Conditional System Acceptance Test shall demonstrate that all equipment and materials in the network are in full compliance with all project requirements and fully functional as installed and in final configuration, communicating with and being controlled through the control center at the TMC. Upon completion and full approval of the Conditional System Acceptance Test for all equipment, Conditional System Acceptance will be given and the Burn-in Period will begin. The Contractor shall coordinate the CSAT with the MDOT ITS Engineer. The Contractor shall provide a CSAT plan to the MDOT ITS Engineer and be approved a minimum of thirty (30) calendar days in advance of tests being performed. The CSAT plan shall be inclusive of steps and procedures to be performed and scheduled times to perform test procedures.

**907-674.03.2.7--Burn-In Period.** Following the Engineer's written notice of successful completion of the Conditional System Acceptance Test, the entire newly installed system must operate successfully for a three (3) month burn-in period. During this burn-in period the Contractor shall be responsible for the full maintenance of the newly installed equipment. However, no separate payment will be made for the burn-in period activities and shall be included in the cost of other items. Successful completion of the burn-in period will occur at the end of three complete months of operation without a major system failure attributable to hardware, software or communications components. Each system failure during the burn-in period will require an additional month of successful operation prior to being eligible for Final Acceptance. (i.e., if there are two system failures during the initial six month period, the burn-in period would be increased to five (5) months.)



### **Burn-In General Requirements**

- Determination of a system failure shall be at the sole discretion of the Engineer. System failure is defined as a condition under which the system is unable to function as a whole or in significant part to provide the services as designed. While a single component failure will not constitute a system failure, chronic failure of that component or component type may be sufficient to be considered a system failure. Chronic failure of a component or component type is defined as three (3) or more failures for the same component during the burn-in period.
- Components are defined as contract items or major material elements in a contract item. For electrical and electronic contract items, components are defined as the complete assembly of materials that makes up the contract item.
- Specifically exempted as system failures are failures caused by accident, acts of God, or other external forces that are beyond the control of the Contractor. However, failure of the contractor to respond to the repair request for that failure within 24 hours may be considered a system failure.
- The Department will advise the Contractor in writing when it considers that a system failure has occurred or chronic failure exists.
- If multiple system and/or chronic failures continue to occur throughout the burn-in period due to a single component type, the Contractor may be required to replace all units of that component type with a different model or manufacturer.
- The Contractor shall document all failures and subsequent diagnosis and repair. The repair documentation shall include as a minimum:
  - Description of the problem
  - Troubleshooting and diagnosis steps
  - Repairs made
  - List of all equipment and materials changed including serial numbers.
  - Update of the equipment inventory where needed.
- The Contractor shall provide the repair documentation to the Engineer within 2 days of completing the repair; failure to provide acceptable documentation as required shall be reason to not approve the repair as complete. The Engineer will provide acceptance or rejection of the repair and documentation within seven (7) days.
- The Engineer reserves the right to require, at no additional expense to the State, the presence of a qualified technical representative of the equipment and/or software manufacturers as related to the diagnosis and/or repair of any system failure.
- During the burn-in period the Contractor shall perform incidental work such as touching up, cleaning of exposed surfaces, leveling and repair of sites, sodding/grassing and other maintenance work as may be deemed necessary by the Engineer to insure the effectiveness and neat appearance of the work sites.

- During the burn-in period the Engineer shall maintain a “burn-in period punch list” that contains required Contractor actions but that the Engineer does not define as a system failure. Each burn-in period punch list action item shall be completed by the Contractor to the Engineer’s satisfaction within seven (7) days of Contractor notification of the action item.
- During the burn-in period the Contractor is required to meet the following response times once notified there is a problem. A response is defined as being on-site to begin diagnosing the problem.
  - Monday thru Friday: The Contractor shall respond no later than 9:00 a.m. the following morning after being notified.
  - Weekends: If the Contractor is notified on Friday afternoon or during the weekend, the Contractor shall respond by 9:00 a.m. on Monday morning.
- During the burn-in period the Contractor shall provide all labor, materials, equipment and replacement parts to completely maintain, troubleshoot and repair all items installed under this contract. No separate payment will be made for any labor, materials, equipment or replacement parts needed during the burn-in period.
- The overall burn-in period will be considered complete upon the successful completion of the burn-in time periods, the Engineer’s acceptance of all repairs and repair documentation, completion of all burn-in period punch list actions and a final inspection as described below.

**907-674.03.2.8--TTS Final Inspection.** Upon successful completion of the burn-in period, the project shall be eligible for the TTS final inspection. The TTS final inspection will be conducted provided the burn-in period has demonstrated the entire system is operating successfully. The TTS final inspection shall include but is not limited to;

- monitoring of all system functions at the TMC to demonstrate the overall system is operational
- a field visit to each site to ensure all field components are in their correct final configuration
- verification that all burn-in punch list items have been completed
- verification that all final cleanup requirements have been completed
- approval of final as-built documentation

Prior to conducting the TTS final inspection, the burn-in period shall demonstrate that all requirements defined in this Special Provision have been met.

The Contractor shall request in writing the Engineer’s approval to start the TTS final inspection a minimum of 14 days prior to the requested start date. The Engineer reserves the right to reschedule the start date if needed. The start date for the TTS final inspection cannot be prior to the successful completion of the overall burn-in period.

An unsuccessful or incomplete TTS final inspection shall require a new TTS final inspection after the Contractor has made the necessary corrections. Up to 14 days shall be allowed for the Engineer to conduct a TTS final inspection.

The Engineer reserves the right to require, at no additional expense to the State, the attendance of a qualified technical representative of the equipment and/or software manufacturers to attend a portion of a TTS final inspection. The presence of the MDOT ITS Engineer or his designee is required during the final inspection.

The Contractor shall be responsible for the full maintenance of all project equipment and materials during the entire time period from the successful completion of the burn-in period until Final System Acceptance is granted.

**907-674.03.2.9--Final System Acceptance.** Upon successful completion of the TTS final inspection and all other items of work on the project, the Engineer will conduct a project final inspection in accordance with Subsection 105.16.2 of the Standard Specifications.

**907-674.03.3--Documentation.** TTS documentation shall meet all of the performance and testing requirements as outline in Section 12 of NEMA TS-4 standard.

**907-674.03.4--Warranty.** The TTS shall be warranted to be free of manufacturer defects in materials and workmanship for a period of one year from the date of Final Acceptance. Equipment covered by the manufacturer's warranties shall have the registration of that component placed in MDOT's name prior to Final Inspection. The Contractor is responsible for ensuring that the vendors and/or manufacturers supplying the components and providing the equipment warranties recognize MDOT as the original purchaser and owner/end user of the components from new. During the warranty period, the supplier shall repair or replace with new or refurbished material, at no additional cost to the State, any product containing a warranty defect, provided the product is returned postage-paid by the Department to the supplier's factory or authorized warranty site. Products repaired or replaced under warranty by the supplier shall be returned prepaid by the supplier. During the warranty period, technical support shall be available from the supplier via telephone within four hours of the time a call is made by the Department, and this support shall be available from factory certified personnel. During the warranty period, updates and corrections to control unit software shall be made available to the Department by the supplier at no additional cost.

**907-674.03.5--MDOT Employee Training.** Minimum Training Requirements are as follows:

- 1) The Contractor shall submit to the Project Engineer for approval a detailed Training Plan including course agendas, detailed description of functions to be demonstrated and a schedule. The Contractor must also submit the Trainer's qualifications to the Project Engineer for approval prior to scheduling any training. The training must include both classroom style training and hands-on training in the field of the maintenance and troubleshooting procedures required for each component. The training should also consist of a hands-on demonstration of all software configuration and functionality where applicable.

- 2) The supplier of the TTS shall, at a minimum, provide a sixteen-hour operations and maintenance training class with suitable documentation for up to eight (8) persons selected by the Department. This training shall include One (1) day of site device operation, maintenance, and configuration training for up to ten (10) individuals and One (1) day of on site system training at the TMC for up to ten (10) individuals that is separate from the above training and specifically for software control of the integrated devices. The operations and maintenance class shall be scheduled at a mutually acceptable time and location.
- 3) The training shall be approved two (2) week ahead of the scheduled date.

**907-674.03.6--Maintenance and Technical Support.** The supplier shall maintain an adequate inventory of parts to support maintenance and repair of the TTS. Spare parts shall be available for delivery within 30 days of placement of an acceptable order at the supplier's then current pricing and terms of sale of said spare parts.

**907-674.04--Method of Measurement.** Travel Time Sign will be measured per each TTS installation.

**907-674.05--Basis of Payment.** Travel Time Sign, measured as prescribed above, will be paid for at the contract unit price per each, which price shall be full compensation for all labor, tools, materials, equipment, installing, system integration and testing of the complete Travel Time sign including the sign case, light sources, display apparatus, wiring, controller, roadside TTS cabinet, communications interface, wiring between the sign case and TTS cabinet, structure mounted conduit, fittings, and junction boxes, sign case support connections to the sign support structure, satisfactory completion of testing and training requirements and all work, equipment and appurtenances as required to effect the full operation including remote and local control of the sign complete in place and ready for use. It shall also include all system documentation including: shop drawings, operations and maintenance manuals, wiring diagrams, block diagrams, and incidentals necessary to complete the work for a complete and functional TTS.

This work does not include the sign support structure.

Progress payments for Travel Time signs shall be paid as follows:

- 1) 80% of the contract unit price upon completion of the installation and any standalone acceptance testing, and
- 2) 20% of the contract unit price upon final system acceptance.

Payment will be made under:

907-674-A: Travel Time Sign	- per each
907-674-B: Travel Time Sign Training	- lump sum

# MISSISSIPPI DEPARTMENT OF TRANSPORTATION

SPECIAL PROVISION NO. 907-697-3

CODE: (SP)

DATE: 08/13/2015

SUBJECT: Bluetooth Detection System (BDS)

PROJECT: CM-0017-00(041) / 106852301 -- Desoto County

Section 907-697, Bluetooth Detection System, is hereby added to and made a part of the 2004 Edition of the Mississippi Standard Specifications for Road and Bridge Construction as follows.

## **SECTION 907-697 -- BLUETOOTH DETECTION SYSTEM**

**907-697.01--Description.** This section specifies the minimum requirements for Bluetooth Detection Systems (BDS) furnished and installed in accordance with the Plans and contract documents. The work consists of providing all labor, materials, equipment, and incidentals necessary to furnish, install, and test a fully operational BDS. The Contractor shall install a fully operational BDS that supplies a compatible data format for the detection data that can be integrated into the existing ITS or traffic management system.

The BDS will provide point-to-point detection of vehicles carrying devices that utilize Bluetooth technology. The vehicles are anonymously detected by discovering Bluetooth enabled devices and collecting their Media Access Control (MAC) addresses. The MAC addresses are stored such that the data retrieved is in a format that cannot be tracked, and any data distinctive to a device is not retrieved (i.e., device name or description). The MAC address is affixed with a time stamp and origin or destination information which is used to determine travel time, direction, and speed data. The BDS will support Traffic Management Center (TMC) operations by providing personnel with concurrent travel time and speed data corresponding to the traffic sampled.

The BDS shall be located in an equipment cabinet, pole-mounted, or mounted to overhead structures. The system shall include power source, processor, antenna, data processing/monitoring software, mounting equipment, up to 100 feet of cable per detector to the nearest ITS or traffic signal cabinet, and all items necessary for a complete fully functional installation. The software package shall include all necessary software licenses for functionality including, but not limited to, web interface, configuration tools, GIS map, data processing, data archiving, XML and GPS data transmission to be used with the MDOT ATMS information systems.

**907-697.02--Materials.** Bluetooth Detection Systems Type A, Type B, and associated equipment shall meet the following requirements.

**907-697.02.1--Functional Requirements.** The Bluetooth Detection System (BDS) shall process and analyze data collected from vehicles traveling along a route. The BDS shall discover devices within a distance of 150 feet from its antenna at the height suggested by the

manufacturer. The system shall detect visible Bluetooth devices at the point of origin/destination and temporarily store their associated MAC addresses to memory to be transmitted to a centralized server/database. The MAC addresses shall be anonymous or encrypted. Each anonymous MAC address shall be affixed with the time of detection and the location of origin or destination. Travel time and speed shall be processed for each unique MAC address by utilizing the times of detection and locations detected. The BDS shall not be used to monitor vehicle presence or traffic volume as the system accuracy is dependent on Bluetooth device sample rates.

The BDS shall transmit detection information over an Ethernet connection or cellular data connection to a centralized remote database or server. A software package shall be available to provide a web interface used to monitor BDS data, monitor BDS status information, and view statistical reports. The web interface shall provide real-time BDS data on a GIS map with reporting tools. The reporting tools shall include, but not limited to, real-time and statistical travel time data, real-time and statistical traffic speed data, anonymous MAC addresses, location(s) of detection, time of detection, and date of detection.

**907-697.02.2--Bluetooth Detection System.** The BDS Type A and Type B shall adhere to the following minimum requirements.

The Bluetooth radio and antenna shall operate in the unlicensed ISM band at 2.4 GHz. The radio shall comply with all FCC regulations and standards. A single Cat-5e Outdoor Rated Ethernet cable shall provide power and network connection to each BDS unit. No coaxial cable shall be allowed. The antenna shall be omnidirectional or directional as indicated in the Plans and per the manufacturer's recommendations. The BDS shall not interfere with any other ITS devices operating on the same frequency. If separation is needed for such devices to operate, it shall be surveyed and determined by the Contractor prior to installation, and then relocated with approval of the Engineer. Costs for positioning and/or moving the BDS shall be included in the cost of the BDS unit.

The microcontroller shall include SD host and card for data logging and processing by standalone BDS detector units detached from the MDOT network. The Bluetooth microcontroller shall include sufficient non-volatile RAM(NVRAM), Flash memory, SD host, SD card, and Ethernet controller/module.

The BDS system shall be capable of utilizing either directional or Omni directional antennas. Omni directional antennas shall be standard unless indicated otherwise in plans or as approve by the Engineer.

**907-697.02.3--Type A Bluetooth Detector.** The Type A Bluetooth Detector shall be a pole mounted self-enclosed unit capable of detecting Bluetooth enabled devices traveling along a roadway. The following are the minimum Type A Bluetooth Detector requirements.

- 1) The Type A BDS shall be located outside the equipment cabinet and enclosed inside a NEMA 4X enclosure that is resistant to damage by weather or vandalism. The cabinet shall be mounted on a pole, or overhead structure as appropriate for the site and as specified in the Plans.

- 2) The Contractor shall provide a power supply or PoE injector to convert the available single phase 110 – 220 VAC to the manufactures specified operational voltage. The power supply or PoE injector shall be located in the equipment cabinet. The PoE injector shall conform to the IEEE 802.3af and IEEE 802.3at PoE standards.

**907-697.02.4--Solar Power.** A Type A BDS with solar power shall be optional to include a solar panel, battery, mounting equipment, cables, and all items necessary for a complete fully functional installation. All solar panels shall be in accordance with UL1703, or equivalent. The solar cell shall have a minimum power capacity of 30 watts. The battery shall provide sufficient power for all BDS component operation for a minimum of 168 hours (7 days). The supplier shall provide documentation specifying approximate daily power generation, power consumption, storage capacity, and charge rates representing an optimal power source to the satisfaction and approval of the Project Engineer. The Contractor shall test the battery for faulty irregularities and provide documentation to the Project Engineer stating the battery's voltage, and resistance. The battery voltage and resistance shall be meet the manufacturers specifications. Should solar power be specified with the Type A BDS, the NEMA 4 enclosure shall be sized appropriately for the solar power components.

**907-697.02.5--Type B Bluetooth Detector.** The Type B Bluetooth Detector shall be a cabinet mounted unit capable of detecting Bluetooth enabled devices traveling along a roadway. The following are the minimum Type B Bluetooth Detector requirements.

- 1) The Type B BDS shall be located inside the equipment cabinet and be shelf, rack, module, or DIN rail mountable. Other mounting options may be submitted for review by the Project Engineer.
- 2) The Contractor shall provide a power supply to convert the available single phase 110 – 220 VAC to the manufactures specified operational voltage. The power supply shall be located in the equipment cabinet.
- 3) POE injectors shall conform to the distances shown on the plans.

**907-697.02.6--Wireless Communications.** The Type A and Type B BDS shall be upgradable to include a cellular modem and antenna capable of transmitting data using a MDOT cellular service provider. The Contractor shall coordinate with the MDOT for cellular service. The Contractor shall be responsible for establishing cellular service. The cellular modem shall be Quad-band GSM 850/900/1800/1900 MHz GSM/GPRS. The GSM modem shall have the option to use a high gain omnidirectional antenna or directional antenna via an external SMA connector on the enclosure. The cellular modem shall support the TCP/IP networking protocols: TCP, UDP, DNS, DHCP, HTTP, HTTPS, FTP and NTP.

**907-697.02.7--Bluetooth Detection System Server.** The Bluetooth Detection System Server shall be a centralized server capable of analyzing and processing BDS Detector data from the roadways where the detectors are deployed and distributed to the MDOT ATMS system. The following are the minimum requirements for the BDS software package and database.

- 1) No more than one (1) software package shall be required for each regional TMC network.
- 2) The software package shall include a secure web-based monitoring system (web GUI).

The web GUI shall allow the Contractor or TMC personnel to view, analyze and configure data.

- 3) The web GUI shall include a GIS map overlay and display dynamic real-time BDS detector data.
- 4) The server shall be located locally at the regional TMC or hosted offsite by a third party.
- 5) The server shall be capable of adding an undefined number of detectors forming a BDS network.
- 6) The web GUI shall be used to monitor data (i.e., speed and travel times) from any BDS detector pair on the network.
- 7) The server shall be capable of logging any change in a devices status in its network.
- 8) The logging of devices shall include unique device identifier, BDS detector status, and BDS detector battery status (solar power option).
- 9) The server shall be capable of logging all data collected from each device in its network. The logging of devices shall include MAC address pairs, detection origin, detection destination, origin detection time, destination detection time, number of paired MAC addresses, percentage of paired MAC addresses, real-time speed, and travel times.
- 10) The web server shall archive all BDS data for a minimum of 365 days at a frequency equivalent to the detection sampling rate.
- 11) The server shall be capable of generating performance measurement reports including traffic speed, travel times, raw data and smoothed data, origin and destination. All reports generated shall be in the format that includes day, month, year, hours, minutes, and seconds.
- 12) All data served from the server shall be transmitted via XML.
- 13) The Contractor shall provide an uninterruptable power supply (UPS) for the server. The UPS cost shall be absorbed into the BDS Server cost. The UPS shall meet the following minimum operational requirements.
  - a. The UPS shall protect the server and associated equipment from power surges, spikes, and other power disturbances. The UPS shall be capable of restoring power automatically upon return of utility power.
  - b. In the event of a power disturbance the UPS battery backup shall maintain a 1000W load for a minimum runtime of 3600 seconds (1 hour).
  - c. The UPS shall indicate the availability of battery backup power.
  - d. The UPS shall be configurable over the network via remote management.
  - e. The UPS battery shall be hot-swappable for uninterrupted power to the server and associated equipment.

**907-697.02.8--Network Requirements.** The Type A and Type B BDS shall meet the following minimum network requirements.

- 1) The network connection shall be Ethernet Compliant IEEE 802.3, 802.3u, and 802.3x; 10/100 Mbps or higher, auto sensing full/half-duplex operations.
- 2) The BDS shall connect to a network device (i.e., media converter, Ethernet switch /router, etc.) via a RJ45 port/connector through outdoor rated Category 5e or higher cable.
- 3) All RJ45 ports shall be standard EIA/TIA-568-A pin-outs and shall be rated at 10/100 Base-T or better.
- 4) The BDS shall support protocols TCP, UDP, DNS, DHCP, HTTP, HTTPS, FTP and NTP.



**907-697.02.9--Environmental Conditions.** Unless stated otherwise, the equipment shall meet all operational requirements during and after exposure to any variation of the following environmental conditions.

- 1) Ambient temperature range of -30°C to +65°C
- 2) Relative humidity from 5% to 90% humidity
- 3) Rain and other precipitation up to 3.5 inches/hour

**907-697.02.10--Mounting Requirements.** The BDS and antenna shall be mounted in accordance with the manufacturers specifications at the location stated in the Plans so that it collects data from each travel lane in both directions of travel. Mounting of the antenna shall meet any FCC rules and regulations and include any special permits and licenses given the geographical location. The Contractor shall be responsible for attaining all FCC licenses and permissions.

**907-697.02.11--Surge Suppression.** Surge Suppression shall be provided to protect the equipment from surges across the BDS power or communications cables. The minimum surge protection requirements include the following.

- 1) Surge protectors shall be furnished for all non-dielectric cable and conductors between the BDS or BDS antenna and the equipment cabinet.
- 2) The surge protectors shall have leads that are kept to a minimum length as recommended by the surge device manufacturer.
- 3) All surge protection devices shall be designed to meet the temperature and humidity requirements expected in this type of outdoor application.
- 4) All surge protectors shall be U.L. listed and bonded to the same single-point ground point.

**907-697.03--Construction Requirements.** All equipment shall be installed according to the manufacturer's recommendations, the Plans, and as follows.

- 1) The Contractor shall install the BDS or BDS antenna on a pole at the manufacture's recommended height above the road surface so the best sampling rate is achieved.
- 2) The Contractor shall provide the MDOT with a written inventory of items received and the condition in which they were received. Inventory shall be inclusive of make, model, and serial numbers, MAC address, and installation GPS coordinates. All equipment shall be installed according to the manufacturer's recommendations or as directed by the MDOT.
- 3) All equipment and software must be fully functional and pass a Final Inspection by the ITS Manager and Project Engineer before being accepted by the MDOT
- 4) The Contractor is responsible for the installation and configuration of the server and server software. The Contractor shall provide a fully-functional server integrated into the MDOT existing ITS management system network that maintains all operational requirements. The server shall meet the Bluetooth Detection System manufacturers recommendation for hardware requirements, software requirements and network requirements.

**907-697.03.1--Testing.** The Contractor shall conduct a Project Testing Program as required

below. All costs associated with the Project Testing Program shall be included in the overall contract price; no separate payment will be made for any testing.

**907-697.03.1.1--General Requirements.** The Contractor shall conduct a project testing program for all BDS provided. The project testing program for BDS shall include but is not limited to the specific requirements in this subsection.

- 1) All test results shall confirm physical and performance compliance with these Special Provisions.
- 2) Each test shall fully demonstrate that the equipment being tested is clearly and definitely in full compliance with all project requirements.
- 3) Contractor shall submit all test results documentation to the Engineer for review within 14 calendar days of completion of the tests.
- 4) All tests deemed by the Project Engineer to be unsatisfactorily completed shall be repeated by the Contractor. In the written request for each test occurrence that is a repeat of a previous test, the Contractor shall summarize the diagnosis and correction of each aspect of the previous test. The Contractor shall summarize the diagnosis and correction of each aspect of the previous test that was deemed unsatisfactory. The test procedures for a repeated test occurrence shall meet all the requirements of the original test procedures, including review and approval by the Project Engineer and ITS Manager or designee.
- 5) The satisfactory completion of any test shall not relieve the Contractor of responsibility to provide a completely acceptable and operating system that meets all requirements of this project.

**907-697.03.1.2--Standalone Acceptance Test (SAT).** The Contractor shall perform a complete SAT on all BDS equipment and materials associated with the field device site, including but not limited to electrical service, cabling, etc. A SAT shall be conducted at every field device site with BDS equipment.

The SAT shall demonstrate that all BDS equipment and materials are in full compliance with all MDOT project requirements and fully functional as installed and in final configuration. The SAT shall demonstrate full compliance with all operational and performance requirements of the project requirements. All SATs also include a visual inspection of the cabinet and all construction elements at the site to ensure they are compliant with the Special Provisions. The SATs for each site type shall include but are not limited to the following.

- 1) Verify that physical construction has been completed as detailed in the plans.
- 2) Inspect the quality and tightness of ground and surge protector connections.
- 3) Inspect the integrity of all cable connections and terminations and verify that the cables are connected and terminated as specified in the Plans.
- 4) Verify proper voltages for all power supplies and related power circuits.
- 5) Verify that the power applied to the BDS meets the power rating stated in the manufacture specifications.
- 6) Verify network connection to the BDS through ping and telnet session from a remote PC.
- 7) Confirm that the system is fully functional, detecting Bluetooth devices at a sample rate approved by the ITS Engineer.

**907-697.03.2--Warranty.** Minimum warranty requirements shall be as follows.

- 1) All warranties and guarantees shall be assigned to the Mississippi Department of Transportation.
- 2) The warranty shall be a minimum of one (1) year warranty per BDS, BDS Server, BDS Server software and all other installed and/or attached appurtenances.
- 3) The warranty period begins upon final acceptance of the BDS system.
- 4) During the warranty period, the Contractor shall repair or replace with new or refurbished material, at no additional cost to the State, any product containing a warranty defect, provided the product is returned postage-paid by the Department to the manufacturer's factory or authorized warranty site.
- 5) Products repaired or replaced under warranty by the manufacturer shall be returned prepaid by the manufacturer.
- 6) During the warranty period, technical support shall be available from the Contractor via telephone within four (4) hours of the time a call is made by the Department, and this support shall be available from factory certified personnel.
- 7) During the warranty period, updates and corrections to hardware, software and firmware shall be made available to the Department by the Contractor at no additional cost.
- 8) During the warranty period, software updates including bug/ error patches, performance improvements, and firmware shall be made available to the Department by the Contractor at no additional cost to the MDOT.

**907-697.03.3--Maintenance and Technical Support.** The supplier shall maintain a sufficient inventory of parts to provide support and maintenance/repair of the Bluetooth Detection System. These parts shall be available for delivery within 30 days of receipt of a purchase order by the supplier at the supplier's then current pricing and terms of sale.

The supplier shall maintain an ongoing program for customer support for the system. This support shall be via telephone, email or personnel sent to the installation upon receipt of a purchase order at the suppliers then current pricing and terms of sale for technical support services.

**907-697.04--Method of Measurement.** Bluetooth Detection System of the Type specified, Bluetooth Detection System Server, and Bluetooth Detection System Server Licensing will be measured per each installation, and as specified in the Plans.

**907-697.05--Basis of Payment.** Bluetooth Detection System, Bluetooth Detection System Server, and Bluetooth Detection System Server Licensing, measured as prescribed above, will be paid for at the contract price per each, which price shall be full compensation for installation, system integration, documentation, training and testing of a complete BDS system site including radio, processor, antenna, system enclosure, solar power, surge protection devices, and all cables between BDS and the cabinet (up to 100'), attachment hardware and brackets, completion of all testing requirements and all work, labor, tools, materials, equipment, incidentals equipment, and appurtenances as required to provide and install a complete BDS system. It shall also include all system documentation including shop drawings, operations and maintenance manuals, wiring

diagrams, block diagrams and other materials necessary to document the operation of the BDS.

Payment will be made under:

907-697-A: Bluetooth Detection System, Type \_\_\_ - per each

907-697-B: Bluetooth Detection System Server - per each

907-697-C Bluetooth Detection System Server Licensing - per each

# MISSISSIPPI DEPARTMENT OF TRANSPORTATION

SPECIAL PROVISION NO. 907-699-5

CODE: (SP)

DATE: 12/17/2013

SUBJECT: Construction Stakes

Section 699, Construction Stakes, of the 2004 Edition of the Mississippi Standard Specifications for Road and Bridge Construction is hereby deleted and replaced as follows.

## SECTION 907-699 - CONSTRUCTION STAKES

**907-699.01--Description.** This work consists of performing all calculations and other work necessary to establish and/or verify all horizontal and vertical control data; and furnishing, placing and maintaining roadway construction stakes or bridge construction stakes, or both, necessary for the proper prosecution of all features and items of the work under contract. This shall include, but not be limited to, grades and drainage structure locations, lengths, elevations and skews. When the contract includes a pay item for roadway construction stakes as provided herein, any references in other sections of the Standard Specifications to establishment of control points or construction staking "by the Department" shall be construed to mean "by the Contractor".

This work may be performed utilizing Automated Machine Guidance technologies and systems in accordance with the standard specifications and contract documents. Automated Machine Guidance (AMG) is defined as the utilization of positioning technologies such as Global Positioning Systems (GPS), Robotic Total Stations, lasers, and sonic systems to automatically guide and adjust construction equipment according to the intended design requirements. Global Positioning Systems (GPS) shall NOT be used for determining any points above the subgrade line. The Contractor may use any type of AMG system(s) that result in compliance with the contract documents and applicable Standard Specifications.

Automated Machine Guidance (AMG) is not a mandatory requirement. Automated Machine Guidance (AMG), conventional staking, or a combination of both may be used at the Contractor's option for staking on this project.

**907-699.02--Materials.** The Contractor shall furnish all personnel, materials, equipment and devices necessary for determining, establishing, setting, checking and maintaining points, lines, grades and layout of the work. All surveying equipment shall be properly adjusted and suited for performing the work required. Traffic control necessary for the proper execution of the work shall be furnished by the Contractor without separate measurement for payment. Stakes shall be of sufficient length, thickness and quality to serve the purpose for which they are being used.

All equipment required to accomplish automated machine guidance shall be provided by the Contractor. The Contractor may use any type of AMG equipment that achieves compliance with the contract documents and applicable Standard Specifications.

The Contractor shall provide the Department with an acceptable portable grade-verification device (Rover) to be used by the Department during the duration of the contract. On large projects with high production rates, the Contractor may have to provide more than one device. At the end of the contract, the device will be returned to the Contractor. This device shall have the same capabilities as the unit used by the Contractor.

**907-699.03--Construction Requirements.**

**907-699.03.1--General.** The Department will establish, one time only, secondary control points with elevations at distances not to exceed 1500 feet or that minimum distance necessary to maintain inter-visibility. For bridge work, the Engineer's field control will consist of a stationed baseline reference point near each end of the bridge(s) and one accessible bench mark near each bridge site. For the purpose of determining responsibility for construction stakes, lines and grades, a box bridge will not be considered as a bridge. The Contractor shall verify the accuracy of the control points before proceeding with the layout for construction.

When errors are discovered and control points do not agree with the plans, the Contractor shall promptly notify the Engineer in writing, and explain the problem in detail. The Engineer will advise the Contractor within five (5) working days of any corrective actions which may be deemed necessary.

The Contractor will be responsible for verifying and modifying, as necessary to best fit existing field conditions, lengths, locations, elevations and skew angles of all drainage structures shown on the construction plans. All junction box and inlet locations and heights shall also be verified and modified as necessary to fit existing field conditions. Modifications to the plans shall not be made without the consent of the Project Engineer. The Contractor will not be responsible for determining the size of drainage structures, but should immediately report any suspected error to the Engineer. Heights of fill over drainage structures shall be checked to verify class of pipe, bedding and the appropriate standard and/or modified standard drawing(s) required in the construction with any differences from the plans being reported to the Engineer.

The Contractor shall perform work necessary to verify alignment and plan grades on all roadway intersections and tie-ins. Any discrepancies in grades, alignment, location and or dimension detected by the Contractor shall immediately be brought to the attention of the Project Engineer.

The Contractor shall employ sufficient qualified personnel experienced in highway surveying and layout to complete the work accurately. The Contractor shall also determine and provide all additional grade controls and staking operations necessary to secure a correct layout and construction of the work. All minor variations in layout and grades required to meet field conditions shall be resolved with the Engineer and shall not be considered justification for adjusting contract price or time.

Examples of minor variations in layout and grades are:

- (a) Adjustment of drainage or other structure length, alignment, and flow line elevation.

- (b) The adjustment of grades and alignment at roadway intersections, cross-overs, railroad crossings, interchanges, existing bridges and roadways.
- (c) Adjustment of curve data.

The Contractor will be responsible for calculating and laying out all additional lines, grades, elevations and dimensions necessary to construct the work required in the plans. All grades and other layout data computed by the Contractor shall be recorded and a copy of this data shall be furnished, with sufficient time for checking, to the Engineer before field work is started. The originals of all data shall be furnished to the Engineer on or before final inspection for the Department's permanent file. The Contractor shall also furnish personnel to assist the Engineer in taking tolerance verification checks or other notes to determine whether specified tolerances are met. Any inspection or checking of the Contractor's layout by the Engineer and the approval of all or any part of it will not relieve the Contractor of the responsibility to secure proper dimensions, grades, and elevations of the several parts of the work.

Prior to beginning construction on any structure which is referenced to an existing structure or topographical feature, the Contractor shall check the pertinent location and grades of the existing structures or topographical features to determine whether the location and grade shown on the plans are correct.

The Contractor shall stake centerline control at each station, BOP, EOP, PC, PT, SC, CS, TS, ST, and equations just before field cross sectioning by the Department for both original and final cross sections.

The Contractor shall furnish "as built" finish centerline elevations to the Project Engineer prior to final inspection of the project.

The Contractor shall set stakes and/or flags on the right-of-way line at each station and right-of-way break or as directed by the Engineer before clearing operations are started on any section of roadway.

Regardless of the method used, the Contractor shall meet the surface tolerances addressed in Section 321.

The Contractor shall exercise care in the preservation of stakes and bench marks and shall reset them when they are damaged, lost, displaced or removed. The Contractor shall use competent personnel and suitable equipment for the layout work required and shall provide that it be performed under the supervision of, or directed by, a Registered Professional Engineer or Registered Land Surveyor who is duly registered and entitled to practice as a Professional Engineer or Professional Land Surveyor in the State of Mississippi. The duties performed by said Registrant shall conform to the definitions under the "practice of engineering" and practice of "land surveying" in Mississippi Law and the latest edition of the MDOT Survey Manual. The MDOT Survey Manual can be obtained online at the following address.

<http://sp.mdot.ms.gov/RoadwayDesign/Pages/MDOT-Survey-Manual.aspx>

The Contractor shall not engage the services of any person in the employ of the Department for the performance of any of the work covered by this Section or any person who has been employed by the Department within the past six months except those who have legitimately retired from service with the Department during this period.

All cross sections, measurements, and tickets required for determining pay quantities will be the responsibility of the Department.

The Department reserves the right to check for accuracy any or all of the Contractor's layout work and shall be assisted by the Contractor's personnel in such checking. When errors or discrepancies are found, the Contractor will take measures necessary to correct, at no expense to the State, any construction that has been performed using the improper layout. Any inspection, checking and approval thereof by the Engineer of work for which the Contractor is responsible will not relieve the Contractor of responsibility to secure correct dimensions, grades, elevations, alignments and locations of the work for satisfactory completion of the project and as a condition for final acceptance by the Department.

**907-699.03.2--Conventional Staking.** In addition to the requirements set forth in Subsection 907-699.03.1, the following shall be required when using the conventional staking method.

On grading projects, the Contractor shall set slope stakes at each station and at the beginning and end of spirals and curves. Closer intervals will be required for sharp changes in grades or alignment, widening and certain other geometric details.

The Contractor shall set subgrade blue tops on centerline, break points and at the left and right subgrade shoulder lines at intervals of not more than 100 feet on tangents and intervals of not more than 50 feet in curves. Closer intervals will be required for sharp changes in grades or alignment, widening, or super elevation.

The Contractor shall furnish personnel to assist the Engineer in taking stringline and other notes to determine whether specified tolerances are met.

On paving contracts, the Contractor shall set subgrade, base and paving blue tops. The base and pavement grade stakes shall be set on intervals in accordance with the applicable requirements of Sections 321, 403 and 501.

**907-699.03.3--Automated Machine Guidance.** In addition to the requirements set forth in Subsection 907-699.03.1, the following shall be required when using the automated machine grading method.

**907-699.03.3.1--Automated Machine Guidance Work Plan.** The Contractor shall submit a comprehensive written Automated Machine Guidance Work Plan to the Engineer for review at least 30 days prior to use. The Project Engineer will have to concur with the Plan prior to the Contractor performing any AMG work. The submittal of an AMG Work Plan shall be an indication of the Contractor's intention to utilize AMG instead of conventional methods on the



project areas and elements stated in the Work Plan. The Engineer shall review the Automated Machine Guidance Work Plan to ensure that the requirements of this special provision are addressed. The Contractor shall assume total responsibility for the performance of the system utilized in the Work Plan. Any update or alteration of the Automated Machine Guidance Work Plan in the course of the work shall be approved and submitted to MDOT for determination of conformance with requirements of this special provision.

The Automated Machine Guidance Work Plan shall describe how the automated machine guidance technology will be integrated into other technologies employed on the project. This shall include, but not limited to, the following:

1. A description of the manufacturer, model, and software version of the AMG equipment.
2. Information on the Contractor's experience in the use of Automated Machine Guidance system (or Related Technologies) to be used on the project, including formal training and field experience of project staff.
3. A single onsite staff person as the primary contact, and up to one alternate contact person for Automated Machine Guidance technology issues.
4. A definition of the project boundaries and scope of work to be accomplished with the AMG system.
5. A description of how the project proposed secondary control(s) is to be established. It shall also include a list and map detailing control points enveloping the site.
6. A description of site calibration procedures including, but not limited to, equipment calibration and the frequency of calibration as well as how the equipment calibration and information will be documented to MDOT and the Project Engineer. The documentation shall contain a complete record of when and where the tests were performed and the status of each equipment item tested within or out of the ranges of required tolerances.
7. A description of the Contractor's quality control procedures for checking mechanical calibration and maintenance of equipment. It shall also include the frequency and type of checks to be performed.
8. A description of the method and frequency of field verification checks and the submission schedule of results to the Project Engineer.
9. A description of the Contractor's contingency plan in the event of failure/outage of the AMG system.
10. A schedule of Digital Terrain Models (DTM) intended for use on the project. This shall be submitted to the Engineer for review, feedback, and communication.

**907-699.03.3.2--State's Responsibilities.** The District Surveyor will set the primary horizontal and vertical control points in the field for the project as per latest edition of the MDOT Survey Manual. The control points shall be in Mississippi State Plane coordinate system.

MDOT will provide an electronic alignment file and primary control file for the project. This file will be based on the appropriate Mississippi State Plane Coordinate Zone either West or East. These files will be created with the computer software applications MicroStation (CADD software) and GEOPAK (civil engineering software). The data files will be provided in the native formats. The Contractor shall perform necessary conversion of the files for their selected grade control equipment, field verify the data for accuracy, and immediately report any errors to

MDOT.

MDOT will provide design data, if available, in an electronic format to the Contractor. These files will be created with the computer software applications MicroStation (CADD software) and GEOPAK (civil engineering software). The data files will be provided in the native formats as specified in the Data Format section of this specification. No guarantee is made to the data accuracy or completeness, or that the data systems used by MDOT will be directly compatible with the systems used by the Contractor. Information shown on the paper plans marked with the seal (official plans as advertised) shall govern.

The Engineer will perform spot checks as necessary of the Contractor's machine control grading results, surveying calculations, records, field procedures, and actual staking. If the Engineer determines that the work is not being performed in accordance with the Specifications, the Engineer shall order the Contractor to re-construct the work to the requirements of the contract documents at no additional cost to the Department.

**907-699.03.3.3--Contractor's Responsibilities.** The Contractor shall provide formal training, as requested, on the use of the Automated Machine Guidance Equipment, including Rover, and the Contractor's systems to MDOT project personnel prior to the start of construction activities utilizing AMG. This training is for providing MDOT project personnel with an understanding of the equipment, software, and electronic data being used by the Contractor.

The Contractor shall use the alignment and control data provided by MDOT.

The Contractor shall bear all costs, including but not limited to the cost of actual reconstruction work that may be incurred due to errors in application of Automated Machine Guidance techniques or manipulation of MDOT design data in Digital Terrain Models (DTM). The Contractor shall also bear all costs associated with any graphical grading outside the model / typical section, such as tying to existing grades at the beginning or end of a project.

The Contractor shall be responsible for converting the information on the plans and/or electronic data file provided by MDOT into a format compatible with the Contractor's AMG system.

The Contractor shall establish secondary control points at locations along the length of the project and outside the project limits and/or where work is performed beyond the project limits as required by the Automated Machine Guidance system utilized. The Contractor shall establish this secondary control using survey procedures as outlined in the latest edition of the MDOT Survey Manual. A copy of all new control point information shall be provided to the Engineer prior to construction activities. The Contractor shall be responsible for all errors resulting from their efforts and shall correct deficiencies to the satisfaction of the Engineer and at no additional cost to the State.

The Contractor shall preserve all reference points and monuments that are established by the District Surveyor outside the construction limits. If the Contractor fails to preserve these items, they shall be re-established by the Contractor to their original quality at no additional cost to the State.

The Contractor shall set grade stakes at the top of the finished sub-grade and base course at all hinge points on the typical sections at 1000-foot maximum intervals on mainline, critical points such as, but not limited to, PC's, PT's, beginning and ending super elevation transition sections, middle of the curve, and at least two locations on each of the side roads and ramps, and at the beginning and end of each cross slope transition where Automated Machine Guidance is used. These grade stakes shall be established using conventional survey methods for use by the Engineer to check the accuracy of the construction.

On grading projects, the Contractor shall set slope stakes and centerline stationing every 500 feet and at the beginning and end of spirals and curves. Closer intervals will be required for sharp changes in grades or alignment, widening and certain other geometric details.

The staking requirements for pavement grade stakes addressed in Sections 403 and 501 will not apply. The Contractor shall furnish an acceptable portable grade-verification device(s) (Rover) to verify grade tolerances.

The Contractor will be required to set 20 grade points (hubs) per mile at locations determined by the Engineer for field verification. If tolerances are not met, additional grade points may be required by the Engineer.

The Contractor shall furnish personnel to assist the Engineer in taking tolerance verification checks as necessary to determine whether specified tolerances are met.

The Contractor shall meet the same accuracy requirements as detailed in the Mississippi Standard Specifications for Road and Bridge Construction.

The Contractor shall be responsible for implementing the AMG system using the Mississippi State Plane Coordinate System. No localization methods will be accepted.

**907-699.03.3.4--Data Format.** It is the Contractor's responsibility to produce the Digital Terrain Model(s) and/or 3D line work needed for Automated Machine Guidance. MDOT does not produce this data in its design process. MDOT does provide CADD files created in the design process to the Contractor. The CADD files provided by MDOT are provided in the native software application formats in which they are created with no conversions, and their use in developing 3D data for machine guidance is at the discretion of the Contractor. The CADD files that may be available are listed below. Cross-Sections are one of the items provided but are not necessarily created at critical design locations. Therefore their use in Digital Terrain Models (DTM) for AMG is limited.

1. Project Control - Microstation DGN file and ASCII file
2. Existing Topographic Data - Microstation DGN file(s)
3. Preliminary Surveyed Ground Surface - GeoPak TIN, if available
4. Horizontal and Vertical alignment information - GeoPak GPK file and/or Microstation DGN file(s)
5. 2D Design line work (edge of pavement, shoulder, etc.) - Microstation DGN file(s)

- 6. Cross sections - Microstation DGN file(s), GeoPak format
- 7. Superelevation - Microstation DGN file(s), GeoPak format
- 8. Form Grades - Microstation DGN file(s)
- 9. Design Drainage - Microstation DGN file(s)

It is expressly understood and agreed that MDOT assumes no responsibility in respect to the sufficiency or accuracy of these CADD files. These files are provided for convenience only and the contract plans are the legal document for constructing the project.

**907-699.04--Method of Measurement.** Construction stakes will be measured as a lump sum quantity. When Pay Item No. 907-699-A, Roadway Construction Stakes, is provided in the contract, measurement shall include the staking of all bridges, including detour bridges, which are a part of the contract.

**907-699.04.1--Roadway Construction Stakes.** Roadway Construction Stakes will be measured for payment in accordance with the following schedule:

- (a) When one percent of the original contract amount is earned from all direct pay items, 10 percent of the amount bid for Roadway Construction Stakes will be paid.
- (b) When five percent of the original contract amount is earned from all direct pay items, 25 percent of the amount bid for Roadway Construction Stakes will be paid.
- (c) When 20 percent of the original contract amount is earned from all direct pay items, 50 percent of the amount bid for Roadway Construction Stakes will be paid.
- (d) After the Contractor has earned 50 percent of the original value of all direct pay items, the amount paid will be based on the contract percent complete.

**907-699.04.2--Bridge Construction Stakes.** Bridge Construction Stakes will be measured for payment in accordance with the following schedule:

- (a) When one percent of the original contract value of all bridge items is earned, 10 percent of the amount bid for Bridge Construction Stakes will be paid.
- (b) When five percent of the original contract value of all bridge items is earned, 25 percent of the amount bid for Bridge Construction Stakes will be paid.
- (c) When 20 percent of the original contract value of all bridge items is earned, 50 percent of the amount bid for Bridge Construction Stakes will be paid.
- (d) After the Contractor has earned 50 percent of original contract value of all bridge items, the amount paid will be based on the percentage of work completed on all bridge items.

**907-699.05--Basis of Payment.** Construction stakes, measured as prescribed above, will be paid for at the contract lump sum price, which shall be full compensation for completing the work.

Payment will be made under:

907-699-A: Roadway Construction Stakes - lump sum

907-699-B: Bridge Construction Stakes - lump sum

**MISSISSIPPI DEPARTMENT OF TRANSPORTATION**

**SUPPLEMENT TO SPECIAL PROVISION NO. 907-701-5**

**DATE: 09/17/2014**

**SUBJECT: Hydraulic Cement**

In the last paragraph of Subsection 907-701.04.1.1 on page 3, change “AASHTO Designation: M 240, Table 3” to “AASHTO Designation: M 240, Table 4”.

## MISSISSIPPI DEPARTMENT OF TRANSPORTATION

| SPECIAL PROVISION NO. 907-701-5

CODE: (SP)

| DATE: 08/20/2014

**SUBJECT: Hydraulic Cement**

Section 701, Hydraulic Cement, of the 2004 Edition of the Mississippi Standard Specifications for Road and Bridge Construction is hereby amended as follows:

Delete Subsection 701.01 on pages 595 & 596, and substitute the following:

**907-701.01--General.** The following requirements shall be applicable to hydraulic cement:

Only hydraulic cements conforming to Section 701 shall be used. Hydraulic cements shall not be listed or designated as meeting more than one AASHTO or Department type.

Different brands of hydraulic cement, or the same brand of hydraulic cement from different mills, shall not be mixed or used alternately in any one class of construction or structure, without written permission from the Engineer; except that this requirement will not be applicable to hydraulic cement treatment of design soils, or bases.

The Contractor shall provide suitable means for storing and protecting the hydraulic cement against dampness. Hydraulic cement, which for any reason, has become partially set or which contains lumps of caked hydraulic cement will be rejected. Hydraulic cement salvaged from discarded or used bags shall not be used.

The temperature of bulk hydraulic cement shall not be greater than 165°F at the time of incorporation in the mix.

Acceptance of hydraulic cement will be based on the certification program as described in the Department's Materials Division Inspection, Testing, and Certification Manual and job control sampling and testing as established by Department SOP.

Retests of hydraulic cement may be made for soundness and expansion within 28 days of test failure and, if the hydraulic cement passes, it may be accepted. Hydraulic cement shall not be rejected due to failure to meet the fineness requirements if upon retests after drying at 212°F for one hour, it meets such requirements.

Delete Subsection 701.02 on page 596, and substitute the following:

**907-701.02--Portland Cement.**

**907-701.02.1--General.**

**907-701.02.1.1--Types of Portland Cement.** Portland cement (cement) shall be either Type I or Type II conforming to AASHTO Designation: M85. Type III cement conforming to AASHTO Designation: M85 or Type III (MS), as defined by the description below Table 1, may be used for the production of precast or precast-prestressed concrete members.

**907-701.02.1.2--Alkali Content.** All cement types in this Subsection shall meet the Equivalent alkali content requirement for low-alkali cements listed in AASHTO Designation: M85, Table 2.

**907-701.02.2--Replacement by Other Cementitious Materials.** The maximum replacement of cement by weight is 25% for fly ash or 50% for ground granulated blast furnace slag (GGBFS). The minimum tolerance for replacement shall be 5% below the maximum replacement content. Replacement contents below this minimum tolerance by fly ash or GGBFS may be used, but shall not be given any special considerations, like the maximum acceptance temperature for portland cement concrete containing pozzolans. Special considerations shall only apply for replacement of cement by fly ash or GGBFS.

**907-701.02.2.1--Portland Cement Concrete Exposed to Soluble Sulfate Conditions or Seawater.** When portland cement concrete is exposed to moderate or severe soluble sulfate conditions, or to seawater, cement types and replacement of cement by Class F fly ash, GGBFS, or silica fume shall be as follows in Table 1.

**Table 1- Cementitious Materials for Soluble Sulfate Conditions**

Sulfate Exposure	Water-soluble sulfate (SO <sub>4</sub> ) in soil, % by mass	Sulfate (SO <sub>4</sub> ) in water, ppm	Cementitious material required*
Moderate and Seawater	0.10 - 0.20	150 - 1,500	Type II **, ***, **** cement, or Type I cement with one of the following replacements of cement by weight: 25% Class F fly ash, 50% GGBFS, or 8% silica fume
Severe	0.20 - 2.00	1,500 - 10,000	Type I cement with a replacement by weight of 50% GGBFS, or Type II cement with one of the following replacements of cement by weight: 25% Class F fly ash, 50% GGBFS, or 8% silica fume

\* The values listed in this table for replacement of portland cement by the cementitious materials listed are maximums and shall not be exceeded. The

minimum tolerance for replacement shall be 0.5% below the maximum replacement content. Replacement contents below this minimum tolerance by the cementitious materials listed in this table do not meet the requirements for the exposure conditions listed and shall not be allowed.

\*\* Type III cement conforming to AASHTO Designation: M85 with a maximum 8% tricalcium aluminate (C<sub>3</sub>A) may be used in lieu of Type II cement as allowed in Subsection 907-701.02.1; this cement is given the designation "Type III(MS)".

\*\*\* Blended cement meeting the sulfate resistance requirements of Subsection 907-701.04 may be used in lieu of Type II as allowed in Subsection 907-701.04.

\*\*\*\* Class F fly ash or GGBFS may be added as a replacement for cement as allowed in Subsection 907-701.02.2.

Class C fly ash shall not be used as a replacement for cement in any of the sulfate exposure conditions listed above.

**907-701.02.2.2--Cement for Soil Stabilization Exposed to Soluble Sulfate Conditions or Seawater.** When portland cement for use in soil stabilization is exposed to moderate or severe soluble sulfate conditions, or to seawater, cement types and replacement of cement by Class F fly ash or GGBFS shall meet the requirements of Subsection 907-701.02.2.1. Silica fume shall be used to bring the cementitious materials into compliance with the requirements of Table 1.

Delete Subsection 701.03 on page 596, and substitute the following:

**907-701.03--Masonry Cement.** Masonry cement shall conform to ASTM Designation: C 91 and shall only be used in masonry applications.

Delete Subsection 701.04 on page 596, and substitute the following:

**907-701.04--Blended Hydraulic Cement.**

**907-701.04.1--General.**

**907-701.04.1.1--Types of Blended Cement.** Blended hydraulic cements (blended cements) shall be of the following types and conform to AASHTO Designation: M 240:

- Type IS – Portland blast-furnace slag cement
- Type IP – Portland-pozzolan cement
- Type IL – Portland-limestone cement

Blended cement **Types IS and IP** for use in portland cement concrete or soil stabilization exposed to the moderate soluble sulfate condition or exposure to seawater as defined in Table 1 shall meet the Sulfate resistance requirement listed in AASHTO Designation: M 240, Table 3 and the "(MS)" suffix shall be added to the type designation.

**907-701.04.1.2--Alkali Content.** All blended cement shall be made with clinker that would result in cement meeting the requirements of Subsection 907-701.02.1.2 when used in the production of AASHTO Designation: M 85, Type I or Type II cement.



**907-701.04.2--Replacement by Other Cementitious Materials.** The maximum replacement of blended cement Type IL by weight is 35% for fly ash or 50% for GGBFS. Replacement contents below 20% fly ash or 45% GGBFS may be used, but shall not be given any special considerations, like the maximum acceptance temperature for portland cement concrete containing pozzolans. Special considerations shall only apply for replacement of blended cement by fly ash or GGBFS. No additional cementitious materials, such as Portland cement, performance hydraulic cement, fly ash, GGBFS, metakaolin, or others, shall be added to or as a replacement for blended cement Types IS and IP.

**907-701.04.3--Exposure to Soluble Sulfate Conditions or Seawater.** When portland cement concrete or blended cement for soil stabilization is exposed to moderate soluble sulfate conditions or to seawater, where the moderate soluble sulfate condition is defined in Table 1, the blended cement shall meet the sulfate resistance requirement listed in AASHTO Designation: M 240, Table 3.

When portland cement concrete or blended cement for soil stabilization is exposed to severe soluble sulfate conditions, where the severe soluble sulfate condition is defined in Table 1, blended cements shall not be used.

MISSISSIPPI DEPARTMENT OF TRANSPORTATION

SPECIAL PROVISION NO. 907-702-5

CODE: (SP)

DATE: 08/12/2014

SUBJECT: Specifications for Bituminous Materials

Section 702, Bituminous Materials, of the 2004 Edition of the Mississippi Standard Specifications for Road and Bridge Construction is hereby amended as follows.

**907-702.05--Petroleum Asphalt Cement.** Delete the third paragraph of Subsection 702.05 on page 598, and substitute the following.

The bituminous material used in all types of asphalt mixtures shall conform to AASHTO Designation: M 320, Performance Grade PG 67-22, as modified in the table below, except that Polyphosphoric Acid (PPA) may be used at low dosage rates as a modifier to enhance the physical properties of a base binder to meet the requirements for Performance Grade PG 67-22. In addition, PPA may be used as a catalyst or mixing agent at low dosage rates in the production of Polymer Modified, Performance Grade PG 76-22.

When PPA is used as a modifier, in no case shall the PPA modifier be used to adjust the physical properties of the binder a full binder grade. For example: the base binder (unmodified) is graded as a PG 64-22 and should only be modified by the addition of PPA to a modified binder grade of PG 67-22.

When petroleum asphalt cement is modified by PPA, the following dosage limits shall be applied.

Grade	Dosage Limit
PG 67-22	0.75% by weight of binder
PG 76-22	0.50% by weight of binder

**907-702.07--Emulsified Asphalt.**

**907-702.07.2--Anionic and Cationic.** After the last paragraph of Subsection 702.07.2 on page 600, add the following.

LockDown (LD-7) and CQS-1h shall conform to the requirements of Table V.

**907-702.07.3--Polymer Modified Cationic Emulsified Asphalt (CRS-2P).** Delete the paragraph in Subsection 702.07.3 on page 600, and substitute the following.

Polymer Modified Cationic Emulsified Asphalt shall conform to the requirements of AASHTO Designation: M 316, with the following exception:

In Table 1, the Ductility, 25 °C, 5 cm/min, shall be a minimum of 100 cm.

**907-702.12--Tables.** After the last Table of Subsection 702.12 on page 606, add the following.

**TABLE V  
SPECIFICATION FOR FOG SEAL**

Test Requirements	LD-7		CQS-1h		Test Method
	Min.	Max.	Min.	Max.	
Viscosity, Saybolt Furol, @ 25°C, Sec.	15	100	20	150	AASHTO T 72
Storage Stability Test, 24 hr, %	-	1	-	1	AASHTO T 59
Settlement, 5 day, %	-	5	-	-	AASHTO T 59
Particle Charge	-	-	Positive		AASHTO T 59
Oil Distillate, %	-	1	-	-	AASHTO T 59
Sieve Test, % *	-	0.3	-	0.1	AASHTO T 59
Residue by Distillation, %	40	-	60	-	AASHTO T 59
<b>Test on Residue from Distillation</b>					
Penetration @ 25°C	-	20	-	-	AASHTO T 49
Penetration @ 25°C, 100g, 5s	-	-	60	110	AASHTO T 49
Softening Point, °C	65	-	-	-	ASTM 36
Solubility in trichloroethylene, %	97.5	-	97.5	-	AASHTO T 44
Ductility @ 25°C, cm	-	-	40	-	AASHTO T 51
Original DSR @ 82° (G*/Sinδ, 10 rad/sec)	1	-	-	-	AASHTO T 111

\* The Sieve result is tested for reporting purpose only, and it may be waived if no application problems are present in the field.

**MISSISSIPPI DEPARTMENT OF TRANSPORTATION**

**SUPPLEMENT TO SPECIAL PROVISION NO. 907-703-12**

**DATE:** 01/29/2015

**SUBJECT:** Aggregates

In the title of Subsection 907-703.06 on page 2, delete “Hot Mix”.

**MISSISSIPPI DEPARTMENT OF TRANSPORTATION**

**SPECIAL PROVISION NO. 907-703-12**

**CODE: (IS)**

**DATE: 10/28/2014**

**SUBJECT: Aggregates**

Section 703, Aggregates, of the 2004 Edition of the Mississippi Standard Specifications for Road and Bridge Construction is hereby amended as follows:

**907-703.03.2.4--Gradation.** Delete the table in Subsection 703.03.2.4 on page 611 and substitute the following.

**Table of Sizes and Gradation of Coarse Aggregate  
for Portland Cement Concrete**

Square Mesh Sieves	Percent Passing by Weight						
	Size No. 467	Size No. 57	Size No. 67	Size No. 7	Size No. 78	Size No. 8	Size No. 89
2 inch	100						
1½ inch	95-100	100					
1 inch		80-100	100				
¾ inch	35-70		80-100	100	100	100	
½ inch		25-60		90-100	90-100	95 100	100
⅜ inch	10-30		20-55	40-70	40-75	75-100	85 100
No. 4	0-5	0-10	0-10	0-15	5-25	5-30	20-40
No. 8		0-5	0-5	0-5	0-10	0-10	0-10
No. 16					0-5	0-5	0-5

Delete the last sentence of the last paragraph of Subsection 703.03.2.4 on page 611.

**907-703.04--Aggregate for Crushed Stone Courses.**

**907-703.04.1--Coarse Aggregate.** Delete the first paragraph of Subsection 703.04.1 on page 611, and substitute the following.

Coarse aggregate, defined as material retained on No. 8 sieve, shall be either crushed limestone, steel slag, granite, concrete, or combination thereof. Crushed concrete is defined as recycled concrete pavement, structural concrete, or other concrete sources that can be crushed to meet the gradation requirements for Size No. 825B as modified below. In no case shall waste from concrete production (wash-out) be used as a crushed stone base.

**907-703.04.2--Fine Aggregate.** Delete the first sentence of the first paragraph of Subsection 703.04.2 on page 612, and substitute the following.

Fine aggregate, defined as material passing the No. 8 sieve, shall be material resulting from the crushing of limestone, steel slag, granite, concrete, or combination thereof.

Delete the third paragraph of Subsection 703.04.2 on page 612.

**907-703.04.3--Gradation.** In the table of Subsection 703.04.3 on page 613, change the requirement for the 1-inch sieve under Size No. 825 B from “75 - 98” to “75 - 100”.

After the table in Subsection 703.04.3 on page 613, add the following.

If crushed concrete is used, the crushed material shall meet the gradation requirements of Size No. 825 B with the exception that the percent passing by weight of the No. 200 sieve shall be 2 – 18.

**907-703.06--Aggregates for Hot Mix Asphalt.**

**907-703.06.1--Coarse Aggregates.** Delete the third paragraph of Subsection 703.06.1 on page 613, and substitute the following.

When tested in accordance with AASHTO Designation: T 19, the dry rodded unit weight of all aggregates except expanded clay and shale shall not be less than 70 pounds per cubic foot.

**907-703.06.1.2--Fine Aggregates.** Delete the last sentence of Subsection 703.06.1.2 on page 614.

**907-703.14--Aggregates for Bituminous Surface Treatments.**

**907-703.14.2--Detail Requirements.**

**907-703.14.2.1--Gradation.** In the table entitled “Gradation Requirements For Cover Aggregate” in Subsection 703.14.2.1 on page 622, delete the requirement for the No. 16 sieve for Size No. 7 under the column “Slag or Expanded Clay”.

Delete Subsection 703.19 on page 624, and substitute the following.

**907-703.19--Lightweight Aggregate for Concrete.**

**907-703.19.1--Lightweight Aggregate for Structural Concrete.** Lightweight aggregate for structural concrete shall meet the requirements of AASHTO Designation: M 195.

**907-703.19.2--Lightweight Aggregate for Internal Curing of Concrete.** Lightweight aggregate for internal curing of concrete shall meet the requirements of ASTM Designation: C 1761. The lightweight aggregate shall meet the gradation requirements listed in Table 1 for either “9.5 mm to 2.36 mm (3/8 in. to No. 8)” Coarse aggregate, “9.5 mm to 0 (3/8 in. to 0)” Combined fine and coarse aggregate, or “4.75 mm to 0 (No. 4 to 0)” Fine aggregate. The fineness modulus of the lightweight aggregate shall not be less than 2.70.

**907-703.20--Aggregate for Stabilizer.**

**907-703.20.3--Gradation.** Delete the table and notes in Subsection 703.20.3 at the top of page 626, and substitute the following.

**PERCENT PASSING BY WEIGHT**

Square Mesh Sieves	Shell	Coarse			Medium	Fine
		Size I	Size II Note (1)	Size III Note (3)		
3 inch	90-100			100		
2 1/2 inch				90-100		
2 inch		100				
1 1/2 inch		90-100	100	25-60		
1 inch		80-100	97-100			
3/4 inch		55-100	55-100	0-10		
1/2 inch		35-85	35-85	0-5	100	
3/8 inch		12-65	12-65		97-100	
No. 4, Note (2)		0-30	0-30		92-100	
No. 10		0-8	0-8		80-100	100
No. 40				10-40	80-100	
No. 60				0-20	30-100	
No. 100					15-80	
No. 200	0-5	0-4	0-4	0-5	0-30	
PI Material Passing No. 40				6 or less	0	

Note (1): Size II is intended for use in bases in which portland cement is used.

Note (2): Ground shell shall contain at least 97% passing the No. 4 sieve.

Note (3): Size III is intended for use in stabilized construction entrances.

## MISSISSIPPI DEPARTMENT OF TRANSPORTATION

SPECIAL PROVISION NO. 907-711-4

CODE: (IS)

DATE: 06/26/2009

SUBJECT: Synthetic Structural Fiber Reinforcement

Section 711, Reinforcement and Wire Rope, of the 2004 Edition of the Mississippi Standard Specifications for Road and Bridge Construction is hereby amended as follows:

After Subsection 711.03.4.3 on page 665, add the following:

**907-711.04--Synthetic Structural Fiber.** The synthetic structural fibers shall be approved for listing in the Department's "Approved Sources of Materials" prior to use. The synthetic structural fibers shall be added to the concrete and mixed in accordance with the manufacturer's recommended methods.

**907-711.04.1--Material Properties.** The fibers shall meet the requirements of ASTM Designation: C 1116, Section 4.1.3. The fibers shall be made of polypropylene, polypropylene/polyethylene blend, nylon, or polyvinyl alcohol (PVA).

**907-711.04.2--Minimum Dosage Rate.** The dosage rate shall be such that the average residual strength ratio ( $R_{150,3.0}$ ) of fiber reinforced concrete beams is a minimum of 20.0 percent when the beams are tested in accordance with ASTM Designation: C 1609. The dosage rate for fibers shall be determined by the following.

The fiber manufacturer shall have the fibers tested by an acceptable, independent laboratory acceptable to the Department and regularly inspected by the Cement and Concrete Reference Laboratory of the National Institutes of Standards and Technology and approved to perform ASTM Designations: C 39, C 78, and C192.

The laboratory shall test the fibers following the requirements of ASTM Designation: C 1609 in a minimum of three (3) test specimens cast from the same batch of concrete, molded in 6 x 6 x 20-inch standard beam molds meeting the requirements of ASTM Designation: C 31. The beams shall be tested on an 18-inch span. The tests for  $R_{150,3.0}$  shall be performed when the average compressive strength of concrete used to cast the beams is between 3500 and 4500 psi. The tests for compressive strength shall follow the requirements of ASTM Designation: C 39. The average compressive strength shall be determined from a minimum of two (2) compressive strength cylinders.

The value for  $R_{150,3}$  shall be determined using the following equation:

$$R_{150,3.0} = \frac{f_{150,3.0}}{f_1} \times 100$$



The residual flexural strength ( $f_{150,3.0}$ ) shall be determined using the following equation:

$$f_{150,3.0} = \frac{P_{150,3.0} \times L}{b \times d^2}$$

where:

$f_{150,3.0}$  is the residual flexural strength at the midspan deflection of  $L/150$ , (psi),

$P_{150,3.0}$  is the residual load capacity at the midspan deflection of  $L/150$ , (lbf),

$L$  is the span, (in),

$b$  is the width of the specimen at the fracture, (in), and

$d$  is the depth of the specimen at the fracture, (in).

For a 6 x 6 x 20-inch beam, the  $P_{150,3.0}$  shall be measured at a midspan deflection of 0.12 inch.

Additionally,  $R_{150,3.0}$ ,  $f_{150,3.0}$ , and  $P_{150,3.0}$  may also be referred to as  $R_{150}^{150}$ ,  $f_{150}^{150}$ , and  $P_{150}^{150}$  respectively.

At the dosage rate required to achieve the minimum  $R_{150,3}$ , the mixture shall both be workable and the fibers shall not form clumps.

The manufacturer shall submit to the State Materials Engineer certified test reports from the independent laboratory showing the test results of each test specimen.

**907-711.04.3--Job Control Requirements.** The synthetic structural fibers shall be one from the Department's "Approved Sources of Materials."

At the required dosage rate, the mixture shall both be workable and the fibers shall not form clumps to the satisfaction of the Engineer. If the mixture is determined by the Engineer to not be workable or have clumps of fibers, the mixture may be rejected.

## MISSISSIPPI DEPARTMENT OF TRANSPORTATION

| SPECIAL PROVISION NO. 907-713-5

CODE: (SP)

| DATE: 07/01/2015

**SUBJECT: Admixtures for Concrete**

Section 713, Concrete Curing Materials and Admixtures, of the 2004 Edition of the Mississippi Standard Specifications for Road and Bridge Construction is hereby amended as follows.

After the second paragraph of Subsection 713.01.2 on page 676, add the following.

Type 1-D compound may be used on bridge rails, median barriers, and other structures requiring a spray finish. When Type 1-D compound is used, it will be the responsibility of the Contractor to assure that the compound has dissipated from the structure prior to applying the spray finish and that the spray finish adheres soundly to the structure.

Delete Subsection 713.02 on pages 676 & 677, and substitute the following.

**907-713.02--Admixtures for Concrete.** Air-entraining admixtures used in Portland cement concrete shall comply with AASHTO Designation: M 154. Set-retarding, accelerating, and/or water-reducing admixtures shall comply with AASHTO Designation: M 194. Water-reducing admixture shall meet the minimum requirements for Type A. Set-retarding admixtures shall meet the minimum requirements for Type D. Admixtures providing a specific performance characteristic(s) other than those of water reduction or set retardation shall meet the minimum requirements for Type S. For admixtures meeting the requirements for Type S, the manufacturer shall provide data to substantiate the specific performance characteristic(s) to the satisfaction of the State Materials Engineer.

In order to obtain approval of an admixture, the State Materials Engineer shall have been furnished certified test reports, made by an acceptable independent laboratory regularly inspected by the Cement and Concrete Reference Laboratory of the National Institutes of Standards and Technology, which show that the admixture meets all the requirements of the applicable AASHTO Standard Specification.

The Department reserves the right to sample, for check tests, any shipment or lot of admixture delivered to a project.

The Department reserves the right to require tests of the material to be furnished, using the specific cement and aggregates proposed for use on the project, as suggested in AASHTO Designation: M 154 and outlined in AASHTO Designation: M 194.

After an admixture has been approved, the Contractor shall submit to the State Materials Engineer, with each new lot of material shipped, a certification from the manufacturer in accordance with the requirements of Subsection 700.05.1 and stating the material is of the same

composition as originally approved and has not been changed or altered in any way. The requirement in Subsection 700.05.1(b) is not required on the certification from the manufacturer.

Admixtures containing chlorides will not be permitted.

Failure to maintain compliance with any requirement of these specifications shall be cause for rejection of any previously approved source or brand of admixture.

Admixtures shall only be used in accordance with the manufacturer's recommended dosage range as set forth in the manufacturer's approval request correspondence. When an admixture is used in Portland cement concrete, it shall be the responsibility of the Contractor to produce satisfactory results.

**907-713.02.1--Source Approval.** In order to obtain approval of an admixture, the Producer/Suppliers shall submit to the State Materials Engineer the following for review: certified test reports, made by an acceptable independent laboratory regularly inspected by the Cement and Concrete Reference Laboratory of the National Institutes of Standards and Technology, which show that the admixture meets all the requirements of the applicable AASHTO or Department Specification for the specific type and the dosage range for the specific type of admixture.

**907-713.02.2--Specific Requirements.** Admixtures containing chlorides will not be permitted.

**907-713.02.3--Acceptance.** The Department reserves the right to sample, for check tests, any shipment or lot of admixture delivered to a project.

The Department reserves the right to require tests of the material to be furnished, using the specific cement and aggregates proposed for use on the project, as suggested in AASHTO Designation: M 154 and outlined in AASHTO Designation: M 194.

Failure to maintain compliance with any requirement of these specifications shall be cause for rejection of any previously approved source or brand of admixture.

With each new lot of material shipped the Contractor shall submit to the State Materials Engineer, a notarized certification from the manufacturer showing that the material complies with the requirements of the applicable AASHTO or Department Specification.

When an admixture is used, it shall be the responsibility of the Contractor to produce satisfactory results.

**907-713.03--Waterproofing Admixture.** This product is used as a waterproofing admixture for cast in place concrete bridge decks and bridge deck topping.

The Contractor shall submit manufacturer's product data and installation methods for each type of the products required to demonstrate the product complies with specifications.

The materials shall be installed in accordance with manufacturer's instructions.

The waterproofing admixture shall be one of the following, or an approved equal.

- Xypex Admix
- Everdure Caltite
- Hycrete W1000

The dosage rate for the above admixtures shall be as follows:

- Xypex Admix shall be 15 pounds per cubic yard.
- Everdure Caltite shall be a minimum of 1.5% by weight of cement or more as required to meet Testing Requirements outlined below.
- Hycrete W1000 shall be a minimum one (1) gallon per cubic yard or more as required to meet Testing Requirements outlined below.

Any retardation of set that occurs will depend upon the concrete mix design and the dosage rate of the admixture.

## MISSISSIPPI DEPARTMENT OF TRANSPORTATION

| SPECIAL PROVISION NO. 907-714-8

CODE: (IS)

| DATE: 05/01/2013

SUBJECT: Miscellaneous Materials

Section 714, Miscellaneous Materials, of the 2004 Edition of the Mississippi Standard Specifications for Road and Bridge Construction is hereby amended as follows.

**907-714.05--Fly Ash.** Delete Subsections 714.05.1 & 714.05.2 on pages 680 & 681, and substitute the following.

**907-714.05.1--General.** The fly ash source must be approved for listing in the Department's "Approved Sources of Materials" prior to use. The acceptance of fly ash shall be based on certified test reports, certification of shipment from the supplier, and tests performed on samples obtained after delivery in accordance with the Department's Materials Division Inspection, Testing, and Certification Manual and Department SOP.

Different classes of fly ash or different sources of the same class shall not be mixed or used in the construction of a structure or unit of a structure without written permission from the Engineer.

The Contractor shall provide suitable means for storing and protecting the fly ash from dampness. Separate storage silos, bins, or containers shall be provided for fly ash. Fly ash which has become partially set or contains lumps of caked fly ash shall not be used.

The temperature of the bulk fly ash shall not be greater than 165°F at the time of incorporation into the work.

All classes of fly ash shall meet the supplementary option chemical requirement for available alkalis listed in AASHTO Designation: M 295, Table 2. Class F fly ash shall have a calcium oxide (CaO) content of less than 6.0%. Class C fly ash shall have a CaO content of greater than or equal to 8.0%.

The replacement of Portland cement with fly ash shall be in accordance with the applicable replacement content specified in Subsection 907-701.02.2.

In addition to these requirements, fly ash shall meet the following specific requirements for the intended use.

**907-714.05.2--Fly Ash for Use in Concrete.** When used with Portland cement in the production of concrete or grout, the fly ash shall meet the requirements of AASHTO Designation: M 295, Class C or F, with the following exception:

The loss on ignition shall not exceed 6.0 percent.

No additional cementitious materials, such as blended hydraulic cement, GGBFS, metakaolin, or others, shall be added to or as a replacement for Portland cement when used with fly ash.

**907-714.06--Ground Granulated Blast Furnace Slag (GGBFS).** Delete Subsection 714.06.1 on page 681, and substitute the following.

**907-714.06.1--General.** The GGBFS source must be approved for listing in the Department's "Approved Sources of Materials" prior to use. The acceptance of GGBFS shall be based on certified test reports, certification of shipment from the supplier, and tests performed on samples obtained after delivery in accordance with the Department's Materials Division Inspection, Testing, and Certification Manual and Department SOP.

The Contractor shall provide suitable means for storing and protecting the GGBFS against dampness and contamination. Separate storage silos, bins, or containers shall be provided for GGBFS. GGBFS which has become partially set, caked or contains lumps shall not be used.

The State Materials Engineer shall be notified in writing of the nature, amount and identity of any processing or other additions made to the GGBFS during production.

GGBFS from different mills shall not be mixed or used alternately in any one class of construction or structure without written permission from the Engineer; except that this requirement will not be applicable to cement treatment of design soils or bases.

No additional cementitious materials, such as blended hydraulic cement, fly ash, metakaolin, or others, shall be added to or as a replacement for Portland cement when used with GGBFS in the production of concrete. The replacement of Portland cement with GGBFS shall be in accordance with the applicable replacement content specified in Subsection 907-701.02.2.

Delete Subsection 714.07 on page 682, and substitute the following.

**907-714.07--Additional Cementitious Materials.**

**907-714.07.1--Metakaolin.**

**907-714.07.1.1--General.** Metakaolin shall only be used as a supplementary cementitious material in Portland cement concrete for compliance with the requirements for cementitious materials exposed to soluble sulfate conditions. Metakaolin from different sources shall not be mixed or used alternately in any one class of construction or structure without written permission from the Engineer. No additional cementitious materials, such as blended hydraulic cement, fly ash, GGBFS, or others, shall be added to or as a replacement for Portland cement when used with metakaolin in the production of concrete.

The State Materials Engineer shall be notified in writing of the nature, amount and identity of any processing, or other additions made to the metakaolin during production.

**907-714.07.1.2--Source Approval.** The approval of each metakaolin source shall be on a case

by case basis as determined by the State Materials Engineer. In order to obtain approval of a metakaolin source, the Producer/Suppliers shall submit to the State Materials Engineer the following for review: certified test reports, made by an acceptable, independent laboratory regularly inspected by the Cement and Concrete Reference Laboratory of the National Institutes of Standards and Technology, which show that the metakaolin meets all the requirements of AASHTO Designation: M295, including the Effectiveness in contributing to sulfate resistance, Procedure A, listed in AASHTO Designation: M295, Table 4 for Supplementary Optional Physical Requirements, and other requirements listed herein.

In order to demonstrate effectiveness in contributing to sulfate resistance, included in this test data shall be results of metakaolin from the proposed source tested in accordance with ASTM Designation: C 1012. There shall be two sets of test specimens per the following:

- a. One set of test specimens shall be prepared using a Type I Portland cement meeting the requirements of AASHTO Designation: M85 and having a tricalcium aluminate ( $C_3A$ ) content of more than 8.0%,
- b. One set of test specimens shall be prepared using a Type II Portland cement meeting the requirements of AASHTO Designation: M85.
- c. The proposed metakaolin shall be incorporated at the rate of 10% cement replacement in each set of test specimens and shall meet both of the acceptance criteria listed below for source approval.

The requirement for acceptance of the test sample using Type I Portland cement is an expansion of 0.10% or less at the end of six months. The requirement for acceptance of the test sample using Type II Portland cement is an expansion of 0.05% or less at the end of six months.

**907-714.07.1.3--Storage.** The Contractor shall provide suitable means for storing and protecting the metakaolin against dampness and contamination. Metakaolin which has become partially set, caked, or contains lumps shall not be used.

**907-714.07.1.4--Specific Requirements.** Metakaolin shall meet the requirements of AASHTO Designation: M 295, Class N with the following modifications:

1. The sum of  $SiO_2 + Al_2O_3 + Fe_2O_3$  shall be at least 85%. The Material Safety Data Sheet shall indicate that the amount of crystalline silica, as measured by National Institute of Occupation Safety and Health (NIOSH) 7500 method, after removal of the mica interference, is less than 1.0%.
2. The loss on ignition shall be less than 3.0%.
3. The available alkalis, as equivalent  $Na_2O$ , shall not exceed 1.0%.
4. The amount of material retained on a No. 325 mesh sieve shall not exceed 1.0%.
5. The strength activity index at seven (7) days shall be at least 85%.

**907-714.07.1.5--Acceptance.** With each new lot of material shipped the Contractor shall submit to the State Materials Engineer a certified test report from the manufacturer showing that the material meets the requirements AASHTO Designation: M295, Class N and the requirements of this Subsection.

The Department reserves the right to sample, for check tests, any shipment or lot of metakaolin delivered to a project.

**907-714.07.2--Silica Fume.**

**907-714.07.2.1--General.** Silica fume shall only be used as a supplementary cementitious material in Portland cement concrete for compliance with the requirements for cementitious materials exposed to soluble sulfate conditions. Silica fume from different sources shall not be mixed or used alternately in any one class of construction or structure without written permission from the Engineer. No additional cementitious materials, such as blended hydraulic cement, performance hydraulic cement, fly ash, GGBFS, or others, shall be added to or as a replacement for Portland cement when used with silica fume in the production of concrete.

The State Materials Engineer shall be notified in writing of the nature, amount and identity of any processing, or other additions made to the silica fume during production.

**907-714.07.2.2--Source Approval.** The approval of each silica fume source shall be on a case by case basis as determined by the State Materials Engineer. In order to obtain approval of a silica fume source, the Producer/Suppliers shall submit to the State Materials Engineer the following for review: certified test reports, made by an acceptable, independent laboratory regularly inspected by the Cement and Concrete Reference Laboratory of the National Institutes of Standards and Technology, which show that the silica fume meets all the requirements of AASHTO Designation: M307, Table 3, including the Sulfate resistance expansion, listed in the table for Optional Physical Requirements, and other requirements listed herein.

In order to demonstrate effectiveness in contributing to sulfate resistance, included in this test data shall be results of silica fume from the proposed source tested in accordance with ASTM Designation: C 1012. There shall be two sets of test specimens per the following:

- a. One set of test specimens shall be prepared using a Type I Portland cement meeting the requirements of AASHTO Designation: M85 and having a tricalcium aluminate ( $C_3A$ ) content of more than 8.0%,
- b. One set of test specimens shall be prepared using a Type II Portland cement meeting the requirements of AASHTO Designation: M85.
- c. The proposed silica fume shall be incorporated at the rate of 8% cement replacement in each set of test specimens and shall meet both of the acceptance criteria listed below for source approval.

The requirement for acceptance of the test sample using Type I Portland cement is an expansion of 0.10% or less at the end of six months. The requirement for acceptance of the test sample using Type II Portland cement is an expansion of 0.05% or less at the end of six months.

**907-714.07.2.3--Storage.** The Contractor shall provide suitable means for storing and protecting the silica fume against dampness and contamination. Silica fume which has become partially set, caked, or contains lumps shall not be used.



**907-714.07.2.4--Acceptance.** With each new lot of material shipped, the Contractor shall submit to the State Materials Engineer a certified test report from the manufacturer showing that the material meets the Chemical and Physical Requirements of AASHTO Designation: M307.

The Department reserves the right to sample, for check tests, any shipment or lot of silica fume delivered to a project.

Delete Subsection 714.11.6 on pages 690 and 691, and substitute the following.

**907-714.11.6--Rapid Setting Cementitious Patching Compounds for Concrete Repair.**

Rapid setting concrete patching compounds must be approved for listing in the Department's "Approved Sources of Materials" prior to use. Upon approval, a product must be recertified every four (4) years to remain on the "Approved Sources of Materials" list. Each product shall be pre-measured and packaged dry by the manufacturer. All liquid solutions included by the manufacturer as components of the packaged material shall be packaged in a watertight container. The manufacturer may include aggregates in the packaged material or recommend the addition of Contractor furnished aggregates.

The type, size and quantity of aggregates, if any, to be added at the job site shall be in accordance with the manufacturer's recommendations and shall meet the requirements of Subsection 703.02 for fine aggregate and Subsection 703.03 for coarse aggregate. Required mixing water to be added at the job site shall meet the requirements of Subsection 714.01.2.

Only those bonding agents, if any, recommended by the manufacturer of the grout or patching compounds may be used for increasing the bond to old concrete or mortar surfaces.

Patching compounds containing soluble chlorides will not be permitted when in contact with steel.

Site preparation, proportioning of materials, mixing, placing and curing shall be performed in accordance with the manufacturer's recommendation for the specific type of application, and the Contractor shall furnish a copy of these recommendations to the Engineer.

Rapid setting cementitious concrete patching compounds, including components to be added at the job site, shall conform to the following physical requirements:

Non-shrink cementitious grouts shall not be permitted for use.

Compressive strength shall equal or exceed 3000 psi in 24 hours in accordance with ASTM C 928 for Type R2 concrete or mortar.

Bond strength shall equal or exceed 1000 psi in 24 hours in accordance with ASTM C 928 for Type R2 concrete or mortar.

The material shall have a maximum length change of  $\pm 0.15\%$  in accordance with ASTM C 928 for Type R2 concrete or mortar.

The Contractor shall furnish to the Engineer three copies of the manufacturer's certified test report(s) showing results of all required tests and certification that the material meets the specifications when mixed and placed in accordance with the manufacturer's instructions. When the mixture is to be placed in contact with steel, the certification shall further state that the packaged material contains no chlorides. Certified test report(s) and certification shall be furnished for each lot in a shipment.

The proportioning of materials must be approved by the State Materials Engineer and any subsequent change in proportioning must also be approved. A sample of each component shall be submitted to the Engineer along with the quantity or percentage of each to be blended. At least 45 days must be allowed for initial approval.

The proportioning of materials for subsequent lots may be approved by the State Materials Engineer upon receipt of certification from the manufacturer that the new lot of material is the same composition as that originally approved by the Department and that the material has not been changed or altered in any way.

**907-714.11.7--Commercial Grout for Anchoring Doweled Tie Bars in Concrete.** Before Subsection 714.11.7.1 on page 691, add the following.

Approved Non-“Fast Set” Epoxy anchor systems as specified below may be used for the repair of concrete pavements that do not involve permanent sustained tension applications or overhead applications.

“*Fast Set Epoxy*” may not be used for any Adhesive Anchor Applications. Adhesive Anchor Systems (Fast Set epoxy or otherwise) shall not be used for permanent sustained tension applications or overhead applications. “Fast Set Epoxy” refers to an epoxy produced by the Sika Corporation called Sikadur AnchorFix-3 and repackaged for sale under a variety of names/companies listed at the Federal Highway Administration web site at the following link:

<http://www.fhwa.dot.gov/Bridge/adhesives.cfm>

**907-714.11.7.4--Acceptance Procedure.** After the last sentence of the first paragraph of Subsection 714.11.4 on page 691, add the following.

Upon approval, a product must be recertified every four (4) years to remain on the “Approved Sources of Materials” list.

**907-714.11.8--Epoxy Joint Repair System.**

**907-714.11.8.1--General.** After the last sentence of the first paragraph of Subsection 714.11.8.1 on page 692, add the following.

Upon approval, a product must be recertified every four (4) years to remain on the “Approved Sources of Materials” list.

# MISSISSIPPI DEPARTMENT OF TRANSPORTATION

SPECIAL PROVISION NO. 907-715-4

CODE: (IS)

DATE: 05/01/2013

SUBJECT: Roadside Development Materials

Section 715, Roadside Development Materials, of the 2004 Edition of the Mississippi Standard Specifications for Road and Bridge Construction is hereby amended as follows.

**907-715-02.2.1--Agricultural Limestone.** Delete the first sentence of Subsection 715-02.2.1 on page 704 and substitute the following.

Agricultural limestone shall be either a hard-rock limestone material or a marl or chalk agricultural liming material as addressed in the latest amendment to the Mississippi Agricultural Liming Material Act of 1993, published by the Mississippi Department of Agriculture and Commerce.

**907-715.02.2.1.1--Screening Requirements.** Delete the first sentence of Subsection 715.02.2.1.1 on page 704.

Delete Subsection 715.02.2.1.2 on page 704 and substitute the following.

**907-715-02.2.1.2--Calcium Carbonate Equivalent.** Marl or chalk liming material shall not have less than 70% calcium and magnesium carbonate calculated as calcium carbonate equivalent when expressed on a dry weight basis.

**907-715-02.2.1.3--Neutralizing Values.** Hard-rock limestone material shall have a minimum Relative Neutralizing Value (RNV) of 63.0%, which is determined as follows.

$$\% \text{ RNV} = \text{CCE} \times (\% \text{ passing \#10 mesh} + \% \text{ passing \#50 mesh})/2$$

Where: CCE = Calcium Carbonate Equivalent

**907-715.03--Seed.**

**907-715.03.2--Germination and Purity Requirements.** Add the following to Table B on page 705.

Name (Kind)	Name (Variety)	Percent Germination	Percent Purity
<b>GRASSES</b>			
Rye Grass	Annual	80	98
Wheat	-	80	98

**MISSISSIPPI DEPARTMENT OF TRANSPORTATION**

**SPECIAL PROVISION NO. 907-804-16**

**CODE: (SP)**

**DATE: 12/02/2014**

**SUBJECT: Concrete Bridges and Structures**

Section 804, Concrete Bridges and Structures, of the 2004 Edition of the Mississippi Standard Specifications for Road and Bridge Construction is hereby deleted and replaced as follows.

**SECTION 907-804--CONCRETE BRIDGES AND STRUCTURES**

**907-804.01--Description.** This work consists of constructing concrete bridges and structures in accordance with these specifications and in reasonably close conformity with the dimensions, designs, lines, and grades indicated on the plans or established.

Construction of box bridges shall be in accordance with Sections 601 and 602.

**907-804.02--Materials.**

**907-804.02.1--General.** Concrete produced and controlled from this specification shall be accepted upon proper certification of concrete production through an approved quality control program and verification by job site acceptance criteria. The Contractor shall develop and implement a quality control program which shall be used to maintain the required properties of concrete. For projects with 1000 cubic yards and more, quality control and acceptance shall be achieved through statistical evaluation of test results. For projects of more than 200 but less than 1000 cubic yards, quality control and acceptance shall be achieved by individual test results. For projects less than or equal to 200 cubic yards, refer to the requirements of TMD-20-05-00-000 "Sampling and Testing of Small Quantities of Miscellaneous Materials" for mixture design and testing requirements.

The materials for concrete bridges and structures, when sampled and tested in accordance with Subsection 700.03, shall meet the requirements of the following Subsections:

Portland Cement .....	701.01 and 701.02
Blended Cement .....	907-701.01 and 907-701.04
Admixtures .....	713.02
Fly Ash .....	714.05
Ground Granulated Blast Furnace Slag (GGBFS) .....	907-714.06
Silica Fume .....	907-714.07.2
Water .....	714.01.1 and 714.01.2
Fine Aggregate .....	703.02
Coarse Aggregate .....	703.03
Lightweight Aggregate .....	907-703.19
Curing Materials .....	713.01

Joint Materials ..... 707.01, 707.02, and 707.07  
 Structural Steel Joints and Bearing Devices ..... 717.01  
 Bearing Pads ..... 714.10  
 Wire Rope or Wire Cable for Prestressed Concrete ..... 700.01 and 711.03  
 Sprayed Finish for Concrete Surface ..... 714.12  
 Reinforcing Steel ..... 711.02

**907-804.02.2--Use, Care, and Handling.** The use, care, and handling of materials shall conform to the applicable requirements of Subsection 501.03.10 and the specific requirements of Subsections 907-804.02.4 and 907-804.02.5. Unless otherwise authorized, only fine aggregate or coarse aggregate of one type and from the same source shall be used in the construction of any one unit of a structure. Should the Contractor, with written permission of the Engineer, elect to substitute high early strength cement for cement of the type specified, the Contractor will not receive additional compensation for the substitution.

**907-804.02.3--Blank.**

**907-804.02.4--Care and Storage of Concrete Aggregates.** The handling and storage of aggregates shall be such as to prevent segregation or contamination with foreign materials. The Engineer may require that aggregates be stored on separate platforms at satisfactory locations.

When specified, coarse aggregates shall be separated into two or more sizes in order to secure greater uniformity of the concrete mixture. Different sizes of aggregate shall be stored in separate stock piles sufficiently removed from each other to prevent the material at the edges of the piles from becoming intermixed.

**907-804.02.5--Storage of Cementitious Materials.** All cementitious materials shall be stored in suitable weather-proof buildings or bins. These buildings or bins shall be placed in locations approved by the Engineer. Provision for storage shall be ample, and the shipments of cementitious materials as received shall be stored separately or other provisions made to the satisfaction of the Engineer for easy access for the identification, inspection, and sampling of each shipment as deemed desirable. Stored cementitious materials shall meet the test requirements at any time after storage when a retest is ordered by the Engineer.

On small jobs, open storage consisting of a raised platform and ample waterproof covering may be permitted by written authorization from the Engineer.

When specified, the Contractor shall keep accurate records of deliveries of cementitious materials and of their use in the work. Copies of these records shall be supplied in the form required by the Engineer.

**907-804.02.6--Classification and Uses of Concrete.** When a specific class of concrete is not specified on the plans or in the contract documents, the structure or parts thereof shall be constructed with the class of concrete as directed by the Engineer.

The classes and their uses are as follows:

- (1) Class AA - Concrete for bridge construction and concrete exposed to seawater.
- (2) Class A - Concrete shown as Class A shall herein be classified as and required to meet the performance criteria of Class AA.
- (3) Class B - General use, heavily reinforced sections, cast-in-place concrete piles, and conventional concrete piles.
- (4) Class C - Massive sections or lightly reinforced sections.
- (5) Class D - Massive unreinforced sections and riprap.
- (6) Class F - Concrete for prestressed members.
- (7) Class FX - Extra strength concrete for prestressed members, as shown on plans.
- (8) Class S - For all seal concrete deposited under water.
- (9) Class DS - Drilled Shaft

**907-804.02.7--Blank.**

**907-804.02.8--Laboratory Accreditation.** The Contractor shall be responsible for furnishing the laboratory used to perform concrete quality control tests. The laboratory may be the Contractor’s facility, the concrete producer’s facility, or a certified independent testing laboratory.

Only laboratories certified by the Mississippi Department of Transportation are qualified to perform material testing. Certification by AASHTO Accreditation Program (AAP) will be acceptable if the laboratory is listed in the latest AAP publication and maintains accreditation to completion of concrete work.

The Contractor’s laboratory designated for quality control testing shall have equipment necessary to test aggregates and concrete for the test methods listed in Table 1.

**Table 1**

AASHTO: R 39	Making and Curing Concrete Test Specimens in the Laboratory
AASHTO: R 60	Sampling Freshly Mixed Concrete
AASHTO: T 2	Sampling Aggregates
AASHTO: T 19	Bulk Density (“Unit Weight”) and Voids in Aggregates
AASHTO: T 22	Compressive Strength of Cylindrical Concrete Specimens
AASHTO: T 23	Making and Curing Concrete Test Specimens in the Field
AASHTO: T 27	Sieve Analysis of Fine and Coarse Aggregates
AASHTO: T 84	Specific Gravity and Absorption of Fine Aggregate
AASHTO: T 85	Specific Gravity and Absorption of Coarse Aggregate
AASHTO: T 119	Slump of Hydraulic Cement Concrete
AASHTO: T 121	Density (Unit Weight), Yield, and Air Content (Gravimetric) of Concrete
AASHTO: T 152	Air Content of Freshly Mixed Concrete by Pressure Method *
AASHTO: T 196	Air Content of Freshly Mixed Concrete by the Volumetric Method *
AASHTO: T 231	Capping Cylindrical Concrete Specimens
AASHTO: T 248	Reducing Field Samples of Aggregate to Testing Size
AASHTO: T 255	Total Evaporable Moisture Content of Aggregate by Drying

AASHTO: T 325	Standard Method of Test for Estimating the Strength of Concrete in Transportation Construction by Maturity Tests **
ASTM: C 1064	Standard Test Method for Temperature of Freshly Mixed Hydraulic Cement Concrete
ASTM: C 1074	Standard Practice for Estimating Concrete Strength by the Maturity Method **

\* Equipment necessary for either pressure or volumetric air content.

\*\* Equipment necessary for estimating concrete strength following the maturity method.

Testing equipment shall have been inspected by the Department or through the AASHTO Accreditation Program. Testing equipment calibration files shall be made available upon request by the Department.

**907-804.02.9--Testing Personnel.** Technicians testing portland cement concrete, for either acceptance or production control purposes, shall be certified by an accepted certification program. Recertification is required for each Class after five years. Certification requirements are listed in Table 2.

**Table 2**

<b>Concrete Technician's Tasks</b>	<b>Test Method Required</b>	<b>Certification Required**</b>
Sampling or Testing of Plastic Concrete	AASHTO Designation: R 60, T 23, T 119, T 121, T 152, T 196, and ASTM Designation: C 1064	MDOT Class I certification
Compressive Strength Testing of Concrete Cylinders	AASHTO Designation: T 22 and T 231	MDOT Concrete Strength Testing Technician certification
Sampling of Aggregates	AASHTO Designation: T 2	Work under the supervision of a MDOT Class II certified technician
Testing of Aggregates	AASHTO Designation: T 19, T 27, T 84, T 85, T 248, and T 255	MDOT Class II certification
Proportioning of Concrete Mixtures*	AASHTO Designation: M 157 and R 39	MDOT Class III certification
Interpretation and Application of Maturity Meter Readings	AASHTO Designation: T 325 and ASTM Designation: C 1074	MDOT Class III certification or Two hours maturity method training

\* Technicians making concrete test specimens for meeting the requirements of Subsection 907-804.02.10.1.2 shall be MDOT Class I certified and under the direct supervision of an MDOT Class III certified technician.

\*\* MDOT Class I certification encompasses the same test procedures and specifications as ACI Concrete Field Testing Technician-Grade I. MDOT Class II certification encompasses the same test procedures and specifications as ACI Aggregate Testing Technician-Level 1. MDOT Concrete Strength Testing Technician encompasses the same test procedures and specifications as ACI Concrete Strength Testing certification.

Specific requirements for each level of certification are in the latest edition of the Department's *Concrete Field Manual*. Current MDOT Class I, MDOT Class II, and/or MDOT Class III certifications shall be acceptable until those certifications expire. Upon expiration of a current certification, recertification with the certifications listed in Table 2 shall be required. Technicians performing either specific gravity testing of aggregates or compressive strength tests shall be required to either:

- have the required MDOT certification listed in Table 2, or
- have a current MDOT Class III certification or work under the direct supervision of current MDOT Class III technician, and have demonstrated the specific gravity and/or compressive strength test during the inspection of laboratory equipment by the Materials Division, Concrete Section.

**907-804.02.10--Portland Cement Concrete Mixture Design.** At least 10 days prior to production of concrete, the Contractor shall submit to the Engineer proposed concrete mixture designs complying with the Department's *Concrete Field Manual*. Materials shall be from approved sources meeting the requirements of the Standard Specifications. Proportions for the mixture designs shall be for the class concrete required by the contract plans and shall meet the requirements of the "Master Proportion Table for Structural Concrete Design" listed in Table 3. The concrete producer shall assign a permanent unique mixture number to each mixture design. Each mixture design shall be field verified as required in Subsection 907-804.02.10.3. Acceptable field verification data shall be required for final approval of a mixture design.

All concrete mixture designs will be reviewed by the Materials Division prior to use. Concrete mixture designs disapproved will be returned to the Contractor with a statement explaining the disapproval.

If the Contractor chooses to cure the concrete in accordance with the requirements listed under **Length of Time Defined by Development of Compressive Strength** in Subsection 907-804.03.17, the compressive strength/maturity relationship shall be developed for the mixture design for a minimum of 28 days following the requirements of Subsection 907-804.03.15. The compressive strength/maturity relationship information shall be submitted with the mixture design information.



**Table 3  
MASTER PROPORTION TABLE FOR STRUCTURAL CONCRETE DESIGN**

Class	Coarse Aggregate Size No.*	Maximum Water/Cementitious** Ratio	Specified Compressive Strength ( $f'_c$ ) psi	Maximum Permitted Slump*** inches	Nominal Total Air Content**** %
AA*****	57 or 67	0.45**	4000	3***	4.5*****
B	57 or 67	0.50	3500	4	4.5
C	57 or 67	0.55	3000	4	4.5
D	57 or 67	0.70	2000	4	4.5
F	67	0.40	5000	3	*****
FX	67	(As per mixture design)	(As shown on plans)	3	*****
S	57 or 67	0.45	3000	8	4.5
DS	67	0.45	4000	***	*****

\* Maximum size aggregate shall conform to the concrete mixture design for the specified aggregate. Other smaller coarse aggregate sizes meeting the requirements of Subsection 907-703.03.2.4 may also be used in conjunction with the coarse aggregate sizes listed. Lightweight aggregate (LWA) meeting the requirements of Subsection 907-703.19.2 may also be used as a partial replacement for fine aggregate.

\*\* The replacement limits of portland cement by weight by other cementitious materials (such as fly ash, GGBFS, silica fume, or others) shall be in accordance with the values in Subsection 907-701.02. Other hydraulic cements may be used in accordance with the specifications listed in Section 701.

For Class AA concrete for concrete bridge decks, the water / cementitious ratio range shall be 0.43 – 0.45 and the maximum cementitious material content shall be 550 pounds per cubic yard.

\*\*\* Unless otherwise specified, minus slump requirements shall meet those set forth in Table 3 of AASHTO Designation: M157.

For Class AA concrete for concrete bridge decks the maximum permitted slump may be increased to five (5) inches. Also, for each additional pound of fibers per cubic yard added in excess of the requirement in Note \*\*\*\*\*, an additional inch of slump will be allowed up to a maximum permitted slump of eight (8) inches.

For Class AA not used in bridge decks and all other Classes of concrete, the maximum permitted slump may be increased to eight (8) inches.

For Class DS concrete for drilled shafts the slump range shall be 8 inches ±1 inch.

\*\*\*\* The tolerance on total air content shall be ±1.5%. For Class AA concrete for concrete bridge decks, the nominal total air content may be increased to 6.5%.

\*\*\*\*\* For Class AA concrete for concrete bridge decks, an approved synthetic structural fiber meeting the requirements of Special Provision 907-711, Synthetic Structural Fiber Reinforcement, shall be incorporated into the mixture at 1.25 times the approved dosage rate.

\*\*\*\*\* Entrained air is not required except for concrete exposed to seawater. For concrete not exposed to seawater, the total air content shall not exceed 6.0%. For concrete exposed to seawater, the nominal total air content shall be 4.5%.

At least one water-reducing admixture or water-reducing/set-retarding admixture shall be used in all classes of concrete in accordance with the manufacturer’s recommended dosage range. Admixtures providing a specific performance characteristic other than those of water reduction or set retardation may be used in accordance with the manufacturer’s recommended dosage range. Mixture designs containing accelerating admixtures will not be approved. Any combinations of admixtures shall be approved by the Engineer before their use.

**907-804.02.10.1--Proportioning of Portland Cement Concrete Mixture Design.**

Proportioning of portland cement concrete shall be based on an existing mixture of which the producer has field experience and documentation or based on a recently batched laboratory mixture tested according to the required specifications.

**907-804.02.10.1.1--Proportioning on the Basis of Previous Field Experience of Trial Mixtures.**

Where a concrete production facility has a record, based on at least 10 consecutive strength tests from at least 10 different batches within the past 12 months from a mixture not previously used on Department projects, the standard deviation shall be calculated. The record of tests from which the standard deviation is calculated shall:

- a) Represent similar materials and conditions to those expected. Changes in materials and proportions within the test record shall not have been more closely restricted than those for the proposed work.
- b) Represent concrete produced to meet a specified strength.
- c) Consist of 10 consecutive tests, average of two cylinders per test, tested at 28 days.

The standard deviation, *s*, shall be calculated as:

$$s = \left[ \sum (X_i - \bar{X})^2 \div (N - 1) \right]^{1/2}$$

where:

- X<sub>i</sub>* = the strength result of an individual test
- $\bar{X}$  = the average of individual tests in the series
- N* = number of tests in the series

When the concrete production facility does not have a record of tests for calculation of standard deviation, as required in the above formula, the requirements of Subsection 907-804.02.10.1.2 shall govern.

The required average compressive strength ( $f'_{cr}$ ) used as the basis for selection of concrete proportions shall conform to the inequality listed below, while using a standard deviation,  $s$ , calculated as shown above.

$$\bar{X} \geq f'_{cr}$$

where:

$$f'_{cr} = f'_c + 1.43s$$

where:

$f'_c$  = specified compressive strength of concrete, psi

$f'_{cr}$  = required average compressive strength of concrete, psi

$s$  = standard deviation, psi

1.43 represents the Lower Quality Index necessary to assure that 93% of compressive strength tests are above  $f'_c$ .

**907-804.02.10.1.2--Proportioning on the Basis of Laboratory Trial Mixtures.** When an acceptable record of field test results is not available, concrete proportions shall be established based on laboratory trial mixtures meeting the following restrictions:

- a) The combination of materials shall be those intended for use in the proposed work.
- b) Trial mixtures having proportions and consistencies suitable for the proposed work shall be made using the ACI 211.1 as a guide to proportion the mixture design.
- c) Trial mixtures shall be designed to produce a slump within  $\pm 3/4$  inch of the maximum permitted, and for air-entrained concrete,  $\pm 0.5$  percent of the maximum total air content. The temperature of freshly mixed concrete in trial mixtures shall be reported.
- d) For each proposed mixture, at least three compressive test cylinders shall be made and cured in accordance with AASHTO Designation: R 39. Each change of water-cement ratio shall be considered a new mixture. The cylinders shall be tested for strength in accordance with AASHTO Designation: T 22 and shall be tested at 28 days.
- e) The required average strength of laboratory trial mixes shall exceed  $f'_c$  by 1200 psi for concrete mixture designs less than 5000 psi and by 1400 psi for concrete mixture designs of 5000 psi or more.

- f) The laboratory trial batch mixtures shall have been made within the previous 12 months before being submitted for approval and shall not have been previously used on Department projects.

**907-804.02.10.2--Documentation of Average Strength.** Documentation that the proposed concrete proportions will produce an average strength equal to or greater than the required average shall consist of the strength test records from field tests or results from laboratory trial mixtures.

**907-804.02.10.3--Field Verification of Concrete Mixture Design.** Concrete mixture designs will only be tentatively approved pending field verification. The requirements for yield, slump, or total air content shall be successfully met within the first three (3) production days. Mixture designs may be transferred to other projects without additional field verification testing, once the mixture design has passed the field verification process.

The Contractor's Certified Quality Control Technicians shall test each concrete mixture design upon the first placement of the mix. Aggregates and concrete tests during the first placement shall be as follows.

<u>Aggregates</u>	<u>Concrete</u>
Bulk Specific Gravity	Water Content
Moisture	Slump
Gradation	Air Content
	Unit Weight
	Yield

For all Classes of concrete, the mixture shall be verified to yield within 2.0% of the correct volume when all the mix water is added to the batch.

For all Classes of concrete other than DS, F, and FX, the mixture shall produce a slump within a minus 1½-inch tolerance of the maximum permitted for mixtures with a maximum permitted slump of three inches (3") or less or within a minus 2½-inch tolerance of the maximum permitted for mixtures with a maximum permitted slump of greater than three inches (3"), and producing a total air content within a minus 1½ percent tolerance of the maximum allowable air content in Table 3.

For Class DS, the slump shall be within the requirements in Note \*\*\* below Table 3. For Class DS exposed to seawater, the total air content shall be within a minus 1½ percent tolerance of the maximum allowable air content in Note \*\*\*\*\* below Table 3. For Class DS not exposed to seawater the total air content shall be within the requirements in Note \*\*\*\*\* below Table 3.

For Classes F and FX, the slump shall be within a minus 1½-inch tolerance of the maximum permitted for mixtures with a maximum permitted slump of three inches (3") or less or within a minus 2½-inch tolerance of the maximum permitted for mixtures with a maximum permitted slump of greater than three inches (3"). For Classes F and FX exposed to seawater, the total air content shall be within a minus 1½ percent tolerance of the maximum allowable air content in

Note \*\*\*\*\* below Table 3. For Classes F and FX not exposed to seawater the total air content shall be within the requirements in Note \*\*\*\*\* below Table 3.

The mixture shall be adjusted and retested, if necessary, on subsequent placements until the above mentioned properties are met.

If the requirements for yield, slump, or total air content are not met within the first three (3) production days, subsequent field verification testing shall not be permitted on Department projects, and the mixture design shall not be used until the requirements listed above are met. Any mixture design adjustments, changes in the mixture proportions, are to be made by a Class III Certified Technician representing the Contractor. After the mixture design has been verified and adjustments made, verification test results will be reviewed by the Engineer.

**907-804.02.10.3.1--Slump Retention of Class DS Concrete Mixture Designs.** Prior to concrete placement, the Contractor shall provide test results of a slump loss test using approved methods to demonstrate that the mixture meets the four hour requirement in Subsection 907-803.02.7.1. These tests shall be conducted successfully by an approved testing laboratory within 30 days prior to installation of the trial shaft, with personnel from the Materials Division present. The slump loss test shall be conducted at temperatures and conditions similar to those expected at the job site at the time of the installation of the trial shaft. The sample for the slump loss test shall be from a minimum batch size of four (4) cubic yards of concrete. If the time between the previous successful slump loss test and the installation of the trial shaft exceeds 30 days, another successful slump loss test shall be performed on the first truckload of concrete as part of the installation of the trial shaft. This requirement limiting the time between the previous slump loss test and an installation of the trial shaft also applies to Class DS concrete mixture designs being transferred from another project. During any shaft installation a slump loss test shall be conducted by the Contractor at the direction of the Engineer from the concrete at the site for verification of slump loss requirements using a sample from a minimum batch size of four cubic yards of concrete.

**907-804.02.10.4--Adjustments of Mixtures.** The mixture design may be adjusted by the Class III Certified Technician representing the Contractor in accordance with the allowable revisions listed in the Department's *Concrete Field Manual*, paragraph 5.7. Written notification shall be submitted to the Engineer a minimum of seven (7) days prior to any source or brand of material change, aggregate size change, allowable material type change, or decrease in any cementitious material content. Any adjustments of the concrete mixture design shall necessitate repeat of field verification procedure as described in Subsection 907-804.02.10.3 and approval by the Engineer.

**907-804.02.11--Concrete Batch Plants.** The concrete batch plant shall meet the requirements of the National Ready Mixed Concrete Association *Quality Control Manual, Section 3, Plant Certification Checklist* as outlined in the latest edition of the Department's *Concrete Field Manual*. The Contractor shall submit a copy of the approved checklist along with proof of calibration of batching equipment, i.e., scales, water meter, and admixture dispenser, to the Engineer 30 days prior to the production of concrete.

For projects with 1000 cubic yards and more, the concrete batch plant shall meet the requirements for an automatic system capable of recording batch weights. It shall also have automatic moisture compensation for the fine aggregate. For projects of more than 200 but less than 1000 cubic yards the plant can be equipped for manual batching with a fine aggregate moisture meter visible to the plant operator.

The concrete batch plant shall have available adequate facilities to cool concrete during hot weather.

Mixer trucks to be used on the project are to be listed in the checklist and shall meet the requirements of the checklist.

**907-804.02.12--Contractor's Quality Control.** The Contractor shall provide and maintain a quality control program that will provide reasonable assurance that all materials and products submitted to the Department for acceptance will conform to the contract requirements, whether manufactured or processed by the Contractor or procured from suppliers, subcontractors, or vendors.

The Contractor's Quality Control program shall implement the minimum quality control requirements shown in Table 4, "CONTRACTOR'S MINIMUM REQUIREMENTS FOR QUALITY CONTROL". The quality control activities shown in the table are considered to be normal activities necessary to control the production and placing of a given product or material at an acceptable quality level. To facilitate the Department's activities, all completed gradation samples shall be retained for a maximum of sixty (60) days by the Contractor until further disposition is designated by the Department.

The Contractor shall perform, or have performed, the tests required to substantiate product conformance to contract document requirements and shall also perform, or have performed, all tests otherwise required.

The Contractor's Quality Control program shall encompass the requirements of AASHTO Designation: M 157 into concrete production and control, equipment requirements, testing, and batch ticket information. The requirement of AASHTO Designation: M 157, Section 11.7 shall be followed except, on arrival to the job site, a maximum of 1½ gallons per cubic yard shall be allowed to be added. Water shall not be added at a later time. Job site adjustment of a batch using chemical admixtures or the mechanical adjustment of a batch may be performed by the Contractor if the requirements of Subsection 907-804.02.12.1.1 have been satisfactorily addressed in the Quality Control Plan. If either the maximum permitted slump is exceeded or the total air content is not within the required range after all adjustments are made at the job site, the concrete shall be rejected.

The Contractor's quality control tests shall be documented and shall be available for review by the Engineer throughout the life of the contract.

As set out in these specifications, quality control sampling and testing performed by the Contractor will be used by the Department for determination of acceptability of the concrete.

The Contractor shall maintain standard equipment and qualified personnel as required to assure conformance to contract requirements.

**907-804.02.12.1--Quality Control Plan.** The Contractor shall prepare a Quality Control Plan which shall identify the personnel responsible for the Contractor's quality control including the company official who will act as liaison with Department personnel. The Quality Control Plan shall be submitted in writing to the Engineer for approval 30 days prior to the production of concrete.

The class(es) of concrete involved will be listed separately. If an existing mixture design(s) is to be used, the mixture design number(s) as previously approved shall be listed.

It is intended that sampling and testing be in accordance with standard methods and procedures, and that measuring and testing equipment be standard and properly calibrated. If alternative sampling methods and procedures, and inspection equipment are to be used, they shall be detailed in the Quality Control Plan.

**907-804.02.12.1.1--Elements of Plan.** The Plan shall address all elements that affect the quality of the structural concrete including, but not limited to, the following items:

- 1) Stockpile Management
- 2) Procedures for Corrective Actions for Non Compliance of Specifications
- 3) Procedure for Controlling Concrete Temperatures
- 4) Job Site Batch Adjustments by Addition of Chemical Admixtures:

The Plan shall address if the Contractor intends to adjust either the slump and/or total air content of a batch on the job site by adding chemical admixture(s) to a batch. The Contractor shall include the names of the personnel designated to perform this batch adjustment, the equipment used to add the chemical admixture(s), and the procedure by which the batch adjustment will be accomplished. Only the Contractor's designated personnel shall adjust a batch. Only calibrated dispensing equipment shall be used to add chemical admixture(s) to a batch. Only the procedure described in this section of the Plan shall be utilized.

If either the maximum permitted slump is exceeded or the total air content is not within the required range after all adjustments are made at the job site, the concrete shall be rejected.

If the Contractor elects to utilize Job Site Batch Adjustments by Addition of Chemical Admixture within Item 2, Procedures for Corrective Actions for Non Compliance of Specifications, to adjust batches which do not meet the minimum specification requirements for slump and/or total air content, no more than three batches on any one project shall be allowed to be adjusted regardless of the number of mixtures associated with the project.

5) Construction of Concrete Bridge Decks, including the following:

- the description of the equipment used for placing concrete on the bridge deck in accordance with Subsection 907-804.03.6 and, as applicable, Subsections 907-804.03.7 and 907-804.03.8 including any accessories added to the pump to ensure the entrained air in the concrete mixture remains entrained during pumping and depositing of the concrete mixture,
- the description of and the number of pieces of equipment used to consolidate the concrete in accordance with Subsection 907-804.03.6.2,
- the description of the equipment used to finish the bridge deck in accordance with Subsection 907-804.03.19.7,
- the plan for ensuring a continuous rate of finishing the bridge deck without delaying the application of curing materials within the time specified in Subsection 907-804.03.17, including ensuring a continuous supply of concrete throughout the placement with an adequate quantity of concrete to complete the deck and filling diaphragms and end walls in advance of deck placement,
- the plan for applying the curing materials within the time specified in Subsection 907-804.03.17,
- the description of the powered fogging equipment in accordance with Subsection 907-804.03.17,
- a sample of the documentation used as the daily inspection report for ensuring maintenance of the continuous wet curing in accordance with Subsection 907-804.03.17, as required,
- the description of the equipment used to apply the liquid membrane, including but not limited to, the nozzles, pumping/pressurization equipment, and liquid membrane tanks, in accordance with Subsection 907-804.03.17,
- the method for determining the rate of applied liquid membrane meets the application rate requirements in accordance with Subsection 907-804.03.17,
- a sample of the documentation used for the application rate verification of the liquid membrane in accordance with Subsection 907-804.03.17.

6) Mechanical Adjustment of Trucks

**907-804.02.12.2--Personnel Requirements.** The Contractor's Designated Certified Technician shall perform and use quality control tests and other quality control practices to assure that delivered materials and proportioning meet the requirements of the mixture design including temperature, slump, air content, and strength and shall periodically inspect all equipment used in transporting, proportioning, and mixing.

The Contractor's Designated Technician shall periodically inspect all equipment used placing, consolidating, finishing, and curing to assure it is operating properly and that placement, consolidation, finishing, and curing conform to the mixture design and other contract requirements.

**907-804.02.12.3--Documentation.** The Contractor shall maintain adequate records of all inspections and tests. The records shall indicate the nature and number of observations made, the



number and type of deficiencies found, date and time of samples taken, the quantities approved and rejected, and the nature of corrective action taken as appropriate. The Contractor's documentation procedures will be subject to approval of the Department prior to the start of the work and to compliance checks during the progress of the work.

All conforming and non-conforming results shall be kept complete and shall be available at all times to the Department during the performance of the work. Forms shall be on a computer-acceptable medium. Batch tickets and gradation data shall be documented in accordance with Department requirements.

Batch tickets shall contain all the information in AASHTO Designation: M157, Section 16 including the additional information in Subsection 16.2 with the following exception: the information listed in paragraphs 16.2.7 and 16.2.8 is not required. All material added to a batch by both the batch plant or added manually shall be documented on the ticket. Batch tickets shall also contain the concrete producer's permanent unique mixture number assigned to the concrete mixture design. Copies shall be submitted to the Department as the work progresses.

Test data for portland cement concrete, including gradation, shall be charted in accordance with the applicable requirements.

The Contractor may use additional control charts as deemed appropriate. It is normally expected that testing and charting will be completed within 24 hours after sampling.

All records documenting the Contractor's quality control tests shall become the property of the Department upon completion of the work.

**907-804.02.12.4--Corrective Action.** The Contractor shall take prompt action to correct conditions that have resulted, or could result, in the submission to the Department of materials and products that do not conform to the requirements of the contract documents. All corrective actions shall be documented.

**907-804.02.12.5--Non-Conforming Materials.** The Contractor shall establish and maintain an effective and positive system for controlling non-conforming material, including procedures for its identification, isolation and disposition. Reclaiming or reworking of non-conforming materials shall be in accordance with procedures acceptable to the Department.

All non-conforming materials and products shall be positively identified to prevent use, shipment, and intermingling with conforming materials and products. Holding areas, mutually agreeable to the Department and the Contractor, shall be provided by the Contractor.

**TABLE 4  
CONTRACTOR'S MINIMUM REQUIREMENTS FOR QUALITY CONTROL**

<b>Portland Cement Concrete</b>		
<b>Control Requirement</b>	<b>Frequency</b>	<b>AASHTO/ASTM Designation</b>
<b>A. PLANT AND TRUCKS</b> 1. Mixer Blades 2. Scales a. Tared b. Calibrate c. Check Calibration 3. Gauges & Meters - Plant & Truck a. Calibrate b. Check Calibration 4. Admixture Dispenser a. Calibrate b. Check Operation & Calibration	Monthly  Daily Every 6 months Weekly  Every 6 months Weekly  Every 6 months Daily	
<b>B. AGGREGATES</b> 1. Sampling 2. Fine Aggregate a. Gradation / FM b. Moisture  c. Specific Gravity / Absorption 3. Coarse Aggregates a. Gradation b. Moisture  c. Specific Gravity / Absorption	250 yd <sup>3</sup> concrete Check meter against test results weekly 2500 yd <sup>3</sup> concrete  250 yd <sup>3</sup> concrete Minimum of once daily or more as needed to control production. Check meter against test results weekly. 2500 yd <sup>3</sup> Concrete	T 2  T 27 T 255  T 84  T 27 T 255  T 85
<b>C. PLASTIC CONCRETE</b> 1. Sampling 2. Air Content 3. Slump 4. Compressive Strength  5. Yield 6. Temperature	First load then one per 50 yd <sup>3</sup> First load then one per 50 yd <sup>3</sup> A minimum of one set (three cylinders) for each 100 yd <sup>3</sup> inclusive and one set for each additional 100 yd <sup>3</sup> or fraction thereof for each class concrete delivered and placed on a calendar day from a single supplier. A test shall be the average of three cylinders. Each 400 yd <sup>3</sup> With each sample	T 141 T 152 or T 196 T 119 T 22, T 23, T 231  T 121 C 1064

**907-804.02.13--Quality Assurance Sampling and Testing.** Quality Assurance (QA) inspection and testing will be provided by the Department to assure that the Contractor's Quality Control (QC) testing meets the requirements of these specifications.

Acceptance of the material is based on the inspection of the construction, monitoring of the Contractor's QC program, QC and QA test results per Subsection 907-804.02.13.1, and the comparison of the QA test results with the QC test results. The Department may use the results of the Contractor's QC tests as a part of the acceptance procedures instead of the results of QA tests, provided:

- a) The Department's inspection and monitoring activities indicate that the Contractor is following the approved QC program and, respectively,
- b) For aggregates, the results from the Contractor's QC and the Department's QA testing of aggregate gradations compare by both meeting the aggregate type's gradation requirements;
- c) For concrete, the Contractor's QC and Department's QA testing of concrete compressive strengths compare when using the data comparison computer program with an alpha value of 0.01 for projects with 1000 cubic yards and more; or, strength comparisons are within 990 psi for projects of more than 200 but less than 1000 cubic yards.

The minimum frequency for QA testing of aggregate and plastic concrete by the Department will follow the frequencies listed in Table 5, "DEPARTMENT'S MINIMUM REQUIREMENTS FOR QUALITY ASSURANCE".

**TABLE 5  
DEPARTMENT'S MINIMUM REQUIREMENTS FOR QUALITY ASSURANCE**

Quality Assurance Tests	Frequency	AASHTO/ASTM Designation
<b>A. AGGREGATES</b>		
1. Sampling		T 2
2. Fine Aggregate Gradation and FM	250 yd <sup>3</sup> concrete	T 27
3. Coarse Aggregates Gradation	250 yd <sup>3</sup> concrete	T 27
<b>B. PLASTIC CONCRETE</b>		
1. Sampling		T 141
2. Air Content	Every 100 yd <sup>3</sup>	T 152 or T 196
3. Slump	Every 100 yd <sup>3</sup>	T 119
4. Compressive Strength	One set (three cylinders) for every 100 yd <sup>3</sup> inclusive. A test shall be the average of three cylinders.	T 22, T 23, T 231
5. Temperature	With each sample	C 1064

Periodic inspection by the Department of the Contractor's QC testing and production will continue through the duration of the project. Weekly reviews will be made of the Contractor's QC records and charts.

For aggregates, comparison of data of the Contractor's QC aggregate gradation test results to those of the Department's QA aggregate gradation test results will be made monthly during concrete production periods according to Department Standard Operating Procedures. When it is determined that the Contractor's QC test results of aggregate gradations are comparative to that of the Department's QA test results, then the Department will use the Contractor's QC results as a basis for acceptance of the aggregates and the Department's QA testing frequency of aggregates may be reduced to a frequency of no less than three QA tests to every 10 QC tests. If the Contractor's QC aggregate gradation test results fail to compare to those of the Department's QA aggregate gradation test results, Department testing for aggregate gradations will revert to the frequency shown in Table 5 for aggregates until the Contractor's and Department's aggregate gradation test data compare.

For concrete compressive strength, comparison of data of the Contractor's QC compressive strength test results to those of the Department's QA compressive strength test results will be made monthly during concrete production periods according to Department's *Concrete Field Manual*. When it is determined that the Contractor's QC test results of concrete compressive strengths are comparative to that of the Department's QA test results, then the Department will use the Contractor's QC results as a basis for acceptance of the concrete and the Department's QA testing frequency of concrete compressive strengths may be reduced to a frequency of no less than three QA tests to every 10 QC tests. If the Contractor's QC compressive strength test results fail to compare to those of the Department's QA compressive strength test results, Department testing will revert to the frequency shown in Table 5 for plastic concrete until the Contractor's and Department's compressive strength test data compare.

**907-804.02.13.1--Job Control Testing.**

**907-804.02.13.1.1--Sampling.** Sampling of concrete mixture shall be performed in accordance with the latest edition of the Department's *Concrete Field Manual*.

**907-804.02.13.1.2--Slump.** Slump of plastic concrete shall meet the requirements of Table 3: MASTER PROPORTION TABLE FOR STRUCTURAL CONCRETE DESIGN. A check test shall be made on another portion of the sample before rejection of any load.

**907-804.02.13.1.3--Air.** Total air content of concrete shall be within the specified range for the class of concrete listed in Table 3: MASTER PROPORTION TABLE FOR STRUCTURAL CONCRETE DESIGN. A check test shall be made on another portion of the sample before rejection of any load.

**907-804.02.13.1.4--Yield.** If the yield of the concrete mix design is more than plus or minus three percent ( $\pm 3\%$ ) of the designed volume, the mix shall be adjusted by a Class III Certified Technician representing the Contractor to yield the correct volume plus or minus three percent ( $\pm 3\%$ ). If batching of the proportions of the mixture design varies outside the batching tolerance range of the originally approved proportions by more than the tolerances allowed in Subsection 907-804.02.12, the new proportions shall be field verified per Subsection 907-804.02.10.3.

**907-804.02.13.1.5--Temperature.** Cold weather concreting shall follow the requirements of Subsection 907-804.03.16.1. Hot weather concreting shall follow the requirements of Subsection 907-804.03.16.2. Concrete with a temperature more than the maximum allowable temperature shall be rejected and not used in Department work.

The maximum acceptance temperature for Class DS concrete mixtures is 95°F.

The maximum acceptance temperature of Class C concrete mixtures is 100°F for mixtures meeting the cement replacement requirements of Subsection 907-701.02.2. For Class C concrete mixtures used in these Pay Items which do not meet the cement replacement requirements of Subsection 907-701.02.2, the maximum acceptance temperature is 95°F.

The maximum acceptance temperature for all other concrete mixtures meeting the cement replacement requirements of Subsection 907-701.02.2 is 95°F. The maximum acceptance temperature for all other concrete mixtures which do not meet the cement replacement requirements of Subsection 907-701.02.2 is 90°F.

**907-804.02.13.1.6--Compressive Strength.** Laboratory cured concrete compressive strength tests shall conform to the specified strength ( $f'_c$ ) listed in the specifications. Concrete represented by compressive strength test below the specified strength ( $f'_c$ ) may be removed and replaced by the Contractor. If the Contractor elects not to remove the material, it will be evaluated by the Department as to the adequacy for the use intended. All concrete evaluated as unsatisfactory for the intended use shall be removed and replaced by the Contractor at no additional cost to the Department. For concrete allowed to remain in place, reduction in payment will be as follows:

**Projects with 1000 Cubic Yards and More.** When the evaluation indicates that the work may remain in place, a statistical analysis will be made of the QC and QA concrete test results. If this statistical analysis indicates at least 93% of the material would be expected to have a compressive strength equal to or greater than the specified strength ( $f'_c$ ) and 99.87% of the material would be expected to have a compressive strength at least one standard deviation above the allowable design stress ( $f_c$ ), the work will be accepted. If the statistical analysis indicates that either of the two criteria are not met, the Engineer will provide for an adjustment in pay as follows for the material represented by the test result.

Total Pay on Material in Question = Unit Price - (Unit Price x % Reduction)

$$\% \text{ Reduction} = \frac{(f'_c - X)}{f'_c - (f_c + s)} \times 100 \times M$$

where:

- $f'_c$  = Specified 28-day compressive strength, psi
- $X$  = Individual compressive strength below  $f'_c$ , psi
- $s$  = standard deviation, psi\*

$f_c$  = allowable design stress, psi

$M$  = pay reduction multiplier, per the *Concrete Field Manual*, paragraph 7.3

\* Standard deviation used in the above reduction of pay formula shall be calculated from the applicable preceding compressive strengths test results plus the individual compressive strength below  $f'_c$ . If below  $f'_c$  strengths occur during the project's first ten compressive strength tests, the standard deviation shall be calculated from the first ten compressive strength tests results.

**Projects of More Than 200 but Less Than 1000 Cubic Yards.** When the evaluation indicates that the work may remain in place, a percent reduction in pay will be assessed based on a comparison of the deficient 28-day test result to the specified strength. The Engineer will provide for an adjustment in pay as follows for the material represented by the test result.

Total Pay on Material in Question = Unit Price - (Unit Price x % Reduction)

$$\% \text{ Reduction} = \frac{(f'_c - X)}{f'_c} \times 100 \times M$$

where:

$f'_c$  = Specified 28-day compressive strength, psi

$X$  = Individual compressive strength below  $f'_c$ , psi

$M$  = pay reduction multiplier, per the *Concrete Field Manual*, paragraph 7.3

**907-804.02.14--Dispute Resolution.** Disputes over variations between Contractor's QC test results and the Department's QA test results shall be resolved at the lowest possible level using the latest edition of the Department's *Concrete Field Manual*. When there are significant discrepancies between the QC test results and the QA test results, the Contractor's QC Manager, the Project Engineer, and/or the District Materials Engineer shall look for differences in the procedures, and correct the inappropriate procedure before requesting a third party resolution.

If the dispute cannot be resolved at the project or District level, the Department's Materials Division will serve as a third party to resolve the dispute. The Materials Division's decision shall be binding.

The Contractor shall be responsible for the cost associated with the third party resolution if the final decision is such that the Department's QA test results were correct. Likewise, the Department will be responsible for the cost when the final decision is such that the Contractor's QC test results were correct.

**907-804.03--Construction Requirements.**

**907-804.03.1--Measurement of Materials.**

**907-804.03.1.1--General.** The accuracy for measuring materials shall be in accordance with AASHTO Designation: M 157.

**907-804.03.1.2--Measurement by Weighing.** Except when otherwise specified or authorized, the materials shall be measured by weighing. The apparatus provided for weighing materials shall be suitably designed and constructed for this purpose. Cementitious materials and aggregates shall be weighed separately. Cement in standard bags need not be weighed, but bulk cement and other cementitious materials shall be weighed. The mixing water shall be measured by volume or by weight. All measuring devices shall be subject to approval.

**907-804.03.2--Blank.**

**907-804.03.3--Blank.**

**907-804.03.4--Hand Mixing.** Hand mixing of concrete will not be allowed.

**907-804.03.5--Delivery.** The plant supplying concrete shall have sufficient capacity and transporting apparatus to ensure continuous delivery at the rate required. The rate of delivery shall be such as to provide for the proper continuity in handling, placing, and furnishing of the concrete. The rate shall be such that the interval between batches shall not exceed 20 minutes. The methods of delivering and handling the concrete shall be that which will facilitate placing with minimum re-handling and without damage to the structure or the concrete.

**907-804.03.6--Handling and Placing Concrete.**

**907-804.03.6.1--General.** Prior to placing concrete, all reinforcement shall have been accurately placed in the position shown on the plans and fastened as set out in Section 805. All sawdust, chips, and other construction debris and extraneous matter shall have been removed from the interior of the forms. Temporary struts, braces, and stays holding the forms in correct shape and alignment shall be removed when the concrete placing has reached an elevation rendering their service unnecessary. These temporary members shall be entirely removed from the forms and shall not be buried in the concrete.

No concrete shall be placed until the forms and reinforcement have been inspected.

Except as provided for truck mixers and truck agitators, concrete shall be placed in the forms within 30 minutes after the time that the cement is first added to the mixture.

Concrete shall be placed so as to avoid segregation of materials and displacement of reinforcement. The use of troughs, chutes, and pipes over 25 feet in length for gravity conveyance of concrete to the forms, will not be permitted except when authorized by the Engineer and subject to the production of quality concrete.

Only approved mechanical conveyors will be permitted.

Open troughs and chutes shall be metal or metal lined. The use of aluminum pipes, chutes, or other devices made of aluminum that come into direct contact with the concrete shall not be

used. Where steep slopes are required, the chutes shall be equipped with baffles or be in short sections that change the direction of movement.

All chutes, troughs, and pipes shall be kept clean and free from coatings of hardened concrete by thoroughly flushing with water after each run. Water used for flushing shall be discharged clear of the structure.

When placing operations involve dropping the concrete more than five feet, it shall be deposited through sheet metal or other approved pipes to prevent segregation and unnecessary splashing. The pipes shall be made in sections to permit discharging and raising as the placement progresses. A non-jointed pipe may be used if sufficient openings of the proper size are provided to allow for the flow of the concrete into the shaft. As far as practicable, the pipes shall be kept full of concrete during placing, and their ends shall be kept buried in the newly placed concrete.

Except as herein provided, concrete shall be placed in horizontal layers not more than 12 inches thick. When, with the Engineer's approval, less than the complete length of a layer is placed in one operation, it shall be terminated in a vertical bulkhead. Each layer shall be placed and compacted before the preceding layer has taken its initial set and shall be compacted so as to avoid the formation of a construction joint with the preceding layer.

If the Department determines that there is an excessive number of projections, swells, ridges, depressions, waves, voids, holes, honeycombs, or other defects in the completed structure, removal of the entire structure may be required as set out in Subsection 105.12.

**907-804.03.6.2--Consolidation.** Immediately after depositing the concrete mixture, the concrete mixture shall be thoroughly consolidated by the use of approved mechanical vibrators and suitable spading tools. Only concrete mixture which has not achieved initial set shall be consolidated. Hand spading alone will be permitted on small structural members such as railing, small culvert headwalls, and as necessary to ensure smooth surfaces and dense concrete along form surfaces, in corners, and in locations impossible to reach with vibrators. When hand spading is used for consolidation, a sufficient number of workmen with spading tools shall be provided. For hand spading, flush a thin layer of mortar to all the surfaces and thoroughly and satisfactorily consolidate the concrete.

The Contractor shall conduct operations of depositing and consolidating the concrete mixture such that the operation produces concrete which is uniformly smooth and dense, having no honeycombing or pockets of segregated aggregate.

Movement of personnel through the consolidated concrete shall not be permitted. If it is determined it is necessary to step into previously consolidated concrete, the concrete in the stepped into area shall be consolidated again.

**907-804.03.6.2.1--Requirements for Vibrators.** Mechanical vibrators shall be subject to the following:



1. To verify compliance with these requirements, the Contractor shall provide the Engineer with a copy of the manufacturer's specifications for each type and brand of vibrator used on the project.
2. The Contractor shall provide a sufficient number of personnel with vibrators to properly consolidate each batch immediately after the concrete is placed in the forms. The Contractor shall provide at least one stand-by vibrator and required power source.
3. Concrete having been consolidated shall not be walked in or through. If it is determined it is necessary to step into previously consolidated concrete, the concrete in the stepped into area shall be consolidated again.
4. Internal vibrators shall be of the spud or tube type, meeting the following characteristics and performance:
  - a. The diameter of the head of the vibrator shall be 1¼ to 2½ inches.
  - b. The frequency of vibration shall be 8000 to 12000 vibrations per minute (Hz) while operating in the concrete.
  - c. The average amplitude shall be 0.025 to 0.05 inch while operating in air.
  - d. The minimum radius of influence shall be seven (7) inches.
  - e. The length of the vibrator head shall be nearly equal to the depth of the layer of concrete placed.
5. When the reinforcing steel is coated with epoxy, internal vibrators with heads of rubber or other resilient material shall be used. Rubber covers securely fastened over steel heads shall be acceptable.
6. For consolidation of concrete used in concrete bridge decks, the following additional requirements shall apply:
  - a. Only internal vibration shall be used.
  - b. Internal vibrators shall all be of the same type and size.
  - c. The configuration of the internal vibrators shall meet the requirements of Subsection 907-804.03.6.2.3.

**907-804.03.6.2.2--Operation of Internal Vibration.** Mechanical vibrators used for internal vibration shall be operated as follows:

1. Vibrators shall not be dragged or moved laterally through the concrete to transport concrete. Vibrators shall not be used in such a manner that the concrete segregates or forms pockets of grout. Vibrators shall not be applied directly or through the reinforcement to sections or layers of concrete which have taken initial set.
2. Vibrators shall only be inserted into the concrete while operating and at the point of placement to consolidate the concrete for such a length of time that there is a general cessation in the escape of large entrapped air bubbles at the surface.
3. Vibrators shall be inserted slowly into the concrete and allowed to penetrate into the concrete under their own weight.
4. Vibrators shall be inserted into the concrete while they are in a vertical position with enough flexibility to work themselves around the reinforcing steel.
5. The head of the vibrator shall be completely submerged in the concrete for a time of consolidation between 3 and 15 seconds prior to removal, unless otherwise defined by the Engineer.

6. For consolidation of two or more layers of concrete, the vibrator shall be inserted into the bottom most layer at least six (6) inches. The vibrator shall be manipulated in a series of up-and-down motions to knit the layers together.
7. Vibrators shall be removed slowly from the concrete after the consolidation has been accomplished. However, once the head of the vibrator has become only partially immersed in the concrete, vibrators shall be removed rapidly.
8. The insertions of the vibrators shall be systematically spaced such that the entire surface of the concrete comes under the influence of the vibrator during consolidation. This includes areas around the reinforcing steel, imbedded fixtures, the corners and angles of forms, and any irregular areas. The distance between insertions shall not exceed 1.5 times the radius of influence such that the area visibly affected by the vibrator overlaps the adjacent, just-vibrated area.
9. For additional information, refer to ACI 309-07, Chapter 7, Sections 7.1 through 7.3

**907-804.03.6.2.3--Method of Consolidation.** It is anticipated the Contractor will accomplish consolidation by internal vibration using one of the following two methods: vibrators mounted on a mechanical device or an orchestrated effort utilizing personnel. Regardless of the chosen method, the method shall be included in the QCP in accordance with Subsection 907-804.02.12.1.1.5 and shall only receive tentative approval until the method is demonstrated as effectively meeting the requirements of Subsection 907-804.03.6.2.

**907-804.03.6.3--Discontinuance of Placing.** When placing is temporarily discontinued, the concrete, after becoming firm enough to retain its form, shall be cleaned of laitance and other objectionable material to a sufficient depth to expose sound concrete. To avoid visible joints insofar as possible upon exposed faces, the top surface of the concrete adjacent to the forms shall be smoothed with a trowel. Where a "feather edge" might be produced at a construction joint, such as in the sloped top surface of a wing wall, an inset form work shall be used in the preceding layer to produce a blocked out portion that will provide an edge thickness of at least six inches (6") in the succeeding layer. Work shall not be discontinued within 18 inches of the top of any face unless provision has been made for a coping less than 18 inches thick. In this case and if permitted by the Engineer, the construction joint may be made at the underside of the coping.

Immediately following the discontinuance of placing concrete, all accumulations of mortar splashed on the reinforcement and the surface of forms shall be removed. Dried mortar chips and dust shall not be puddled into the unset concrete. If the accumulations are not removed prior to the concrete becoming set, care shall be exercised not to break or injure the concrete-steel bond at and near the surface of the concrete while cleaning the reinforcement. After initial set the forms shall not be jarred, and no strain shall be placed on the ends of projecting reinforcement until the concrete has sufficiently set to ensure against any damage by such jarring or strain.

**907-804.03.6.4--Placing Bridge Concrete.** The method and sequence of placing concrete shall conform to the provisions and requirements set forth for the particular type of construction.

**907-804.03.6.4.1--Foundations and Substructures.** Concrete seals shall be placed in accordance with Subsection 907-804.03.9. All other concrete for foundations shall be poured in the dry unless otherwise stipulated or authorization is given in writing by the Engineer to do otherwise. Concrete shall not be placed in foundations until the foundation area has been inspected and approved.

Unless otherwise specified, the placement of concrete in the substructure shall be in accordance with the general requirements of Subsection 907-804.03.6.

Unless otherwise directed, concrete in columns shall be placed in one continuous operation, and shall be allowed to set at least 12 hours before the caps are placed.

**907-804.03.6.4.2--Superstructure.** For simple spans, concrete shall preferably be deposited by beginning at the center of the span and working toward the ends. For continuous spans, concrete shall be deposited as shown on the plans. Concrete in girders shall be uniformly deposited for the full length of the girder and brought up evenly in horizontal layers. Concrete in areas below the bridge deck but being deposited at the same time as concrete for the bridge deck, like a diaphragm, shall be placed and consolidated sufficiently ahead of placing the concrete for the bridge deck such that the placing, consolidating, finishing, and curing of concrete for the bridge deck shall not be impeded or slowed.

Unless otherwise permitted by the Engineer, concrete shall not be placed in the superstructure until the column forms have been stripped sufficiently to determine the character of the concrete in the columns. Unless otherwise permitted by the Engineer, the load of the superstructure shall not be placed on pile bents until the caps have been in place at least seven (7) days and shall not be placed on other types of bents until the bents have been in place at least 14 days.

In placing concrete around steel shapes, it shall be placed on one side of the shape until it flushes up over the bottom flange of the shape on the opposite side, after which it shall be placed on both sides to completion.

Concrete in girder haunches less than three feet (3') in height shall be placed at the same time as that in the girder stem. Whenever a haunch or fillet has a height of three feet (3') or more at the abutment or columns, the haunch and the girder shall be poured in three successive stages: first, up to the lower side of the haunch; second, to the lower side of the girder; and third, to completion.

Except when intermediate construction joints are specified, concrete in slab, T-beam, or deck-girder spans shall be placed in one continuous operation for each span.

The floors and girders of through-girder superstructures shall be placed in one continuous operation unless otherwise specified, in which case special shear anchorage shall be provided to ensure monolithic action between girder and floor.

Concrete in box girders shall be placed as shown on the plans.

Concrete shall not be chuted directly into the forms of the span and shall be placed continuously with sufficient speed to be monolithic and to allow for finishing before initial set.

**907-804.03.6.4.3--Bridge Deck.** When using the Transverse Method in accordance with Subsection 907-804.03.19.7.3, the period of time between concrete placement and completion of the final curing shall be kept to a minimum, as directed by the Engineer.

**907-804.03.7--Pneumatic Placing.** Pneumatic placing of concrete will be permitted only if specified in the contract or if authorized by the Engineer. The equipment shall be so arranged that no vibrations result which might damage freshly placed concrete.

Where concrete is conveyed and placed by pneumatic means the equipment shall be suitable in kind and adequate in capacity for the work. The machine shall be located as close as practicable to the place of deposit. The position of the discharge end of the line shall not be more than 10 feet from the point of deposit. The discharge lines shall be horizontal or inclined upwards from the machine. At the conclusion of placement the entire equipment shall be thoroughly cleaned.

**907-804.03.8--Pumping Concrete.** Placement of concrete by pumping will be permitted only if specified in the contract or if authorized in writing by the Engineer. If used, the equipment shall be arranged so that no vibrations result which might damage freshly placed concrete.

Where concrete mixture is conveyed and placed by mechanically applied pressure (pumping), the equipment shall be suitable in kind and adequate in capacity for the work. The Contractor shall select concrete mixture proportions such that the concrete mixture is pumpable and placeable with the selected equipment.

The pumping equipment shall be thoroughly cleaned prior to concrete placement. Excess form release agent shall be removed from the concrete pump hopper. The Contractor shall prime the pump at no additional cost to the Department by pumping and discarding enough concrete mixture to produce a uniform mixture exiting the pump. At least 0.25 cubic yard of concrete mixture shall be pumped and discarded to prime the pump. Only concrete mixture shall be added directly into the concrete pump hopper after placement has commenced. If anything other than concrete mixture is added to the concrete pump hopper, all concrete mixture in the concrete pump hopper and pump line shall be discarded and the pump re-primed at no additional cost to the Department.

The discharge end of the pump shall be of such a configuration that the concrete does not move in the pump line under its own weight. The intent of this requirement is to ensure that entrained air in the concrete mixture remains entrained during pumping and depositing the concrete mixture. This shall be accomplished with one or both of the following:

- a minimum 10-foot flexible hose attached to the discharge end of a steel reducer having a minimum length of three (3) feet and a minimum reduction in area of 20% which is attached to the discharge end of the pump line, or
- a flexible reducing hose to the discharge end of the pumpline with a minimum reduction in area of 20% over a minimum 10-foot hose length.

Regardless of the configuration chosen, the Contractor shall ensure that the concrete is pumped and does not free-fall more than five (5) feet within the entire length of pump line and after discharge from the end of pump line.

The Contractor shall not have any type of metal elbow, metal pipe, or other metal fitting within five (5) feet of any person during discharge of concrete mixture.

Boom pumps shall have a current Concrete Pump Manufacturers Association's ASME/ANSI B30.27 certification. Equipment added to the boom and pump line shall meet the pump manufacturer's specifications and shall not exceed the manufacturer's maximum recommended weight limit for equipment added to the boom and pump line.

The operation of the pump shall be such that a continuous stream of concrete without air pockets is produced. When pumping is completed, the concrete remaining in the pipe line, if it is to be used, shall be ejected in such a manner that there will be no contamination of the concrete or separation of the ingredients. After this operation, the entire equipment shall be thoroughly cleaned.

The use of aluminum pipe as a conveyance for the concrete will not be permitted.

**907-804.03.9--Depositing Concrete Under Water.** Concrete shall not be deposited in water except with the approval of the Engineer.

Concrete deposited under water shall be Class S.

Concrete deposited under water shall be carefully placed in a compact mass in its final position by means of a tremie, a bottom dump bucket, or other approved method and shall not be disturbed after being deposited. Special care shall be exercised to maintain still water at the point of deposit. No concrete shall be placed in running water and all form work designed to retain concrete under water shall be water-tight. The consistency of the concrete shall be carefully regulated, and special care shall be exercised to prevent segregation of materials.

Concrete seals shall be placed continuously from start to finish, and the surface of the concrete shall be kept as nearly horizontal as practicable at all times. To ensure thorough bonding, each succeeding layer of a seal shall be placed before the preceding layer has taken initial set.

When a tremie is used, it shall consist of a tube having a diameter of at least 10 inches and constructed in sections having flanged couplings fitted with gaskets. The means of supporting the tremie shall be such as to permit the free movement of the discharge over the entire top surface of the work and to permit it to be lowered rapidly when necessary to choke off or retard the flow of concrete. The discharge end shall be closed at the start of the work so as to prevent water entering the tube and shall be entirely sealed. The tremie tube shall be kept full to the bottom of the hopper. When a batch is dumped into the hopper, the flow of concrete shall be induced by slightly raising the discharge end, always keeping it in the deposited concrete. The flow is then stopped by lowering the tremie. The flow shall be continuous until the work is completed.

Depositing of concrete by the drop bottom bucket method shall conform to the following: The top of the bucket shall be open. The bottom doors shall open freely downward and outward when tripped. The bucket shall be completely filled and slowly lowered to avoid backwash. It shall not be dumped until it rests on the surface upon which the concrete is to be deposited and when discharged shall be withdrawn slowly until well above the concrete.

Dewatering may proceed when the concrete seal is sufficiently hard and strong. As a general rule, this time will be 48 hours for concrete made with high-early-strength cement and three days for concrete made with other types of cement. All laitance and other unsatisfactory material shall be removed from the exposed surface by scraping, chipping, or other means which will not injure the surface of the concrete.

**907-804.03.10--Construction Joints.**

**907-804.03.10.1--General.** Unless otherwise approved by the Engineer, construction joints shall be made only where located on the plans or shown in the pouring schedule. If not detailed on the plans, or in the case of emergency, construction joints shall be placed as directed by the Engineer. Shear keys or inclined reinforcement shall be used where necessary to transmit shear or to bond the two sections together.

For continuous spans, bridge deck concrete shall be deposited as shown on the plans. Deviation from the pouring schedule shown in the plans is not permitted.

**907-804.03.10.2--Bonding.** Before depositing new concrete on or against concrete which has hardened, the forms shall be retightened. The surface of the hardened concrete shall be roughened as required by the Engineer and in a manner that will not leave loosened particles of aggregate or damaged concrete at the surface. It shall be thoroughly cleaned of foreign matter and laitance and saturated with water. When directed by the Engineer, the cleaned and saturated surfaces, including vertical and inclined surfaces, shall first be thoroughly covered with a coating of mortar or neat cement grout against which the new concrete shall be placed before the grout has attained its initial set.

The placing of concrete shall be carried continuously from joint to joint. The face edges of all joints which are exposed to view shall be carefully finished, true to line and elevation.

In order to bond successive courses suitable depressed or raised keys of the designated size shall be constructed. Raised keys shall be monolithic with the concrete of the lower course.

**907-804.03.11--Concrete Exposed to Seawater.** Unless otherwise specifically provided, concrete for structures exposed to seawater shall be Class AA concrete as referenced in Subsection 907-804.02.10. The clear distance from the face of the concrete to the nearest face of reinforcing steel shall be at least four inches. The mixing time and the water content shall be carefully controlled and regulated so as to produce concrete of maximum impermeability. The concrete shall be thoroughly compacted, and stone pockets shall be avoided. No construction joints shall be formed between the levels of extreme low water and extreme high water as

determined by the Engineer. Between these levels, seawater shall not come in direct contact with the new concrete until at least 30 days have elapsed. The surface concrete as left by the forms shall be left undisturbed.

**907-804.03.12--Blank.**

**907-804.03.13--Falsework.** The Contractor shall submit to the Engineer four copies of structural design analysis and detail drawings, which show the method of falsework or centering. These designs and detail plans shall be prepared and bear the seal of a Registered Professional Engineer with experience in falsework design.

Falsework plans shall include falsework elevations together with all other dimensions and details which is considered necessary for the construction. Other pertinent data needed is size and spacing of all falsework members and minimum bearing requirements for false piles.

Upon completion of falsework erection, the Registered Professional Engineer shall certify that the erected falsework is capable of supporting the load for construction.

Falsework piling shall be spaced and driven so that the bearing value of each pile is sufficient to support the load that will be imposed upon it. The bearing value of the piles should be calculated according to the appropriate formula given in Section 803.

For designing falsework and centering, a weight of 150 pounds per cubic foot shall be assumed for green concrete. All falsework shall be designed and constructed to provide the necessary rigidity and to support the loads without appreciable settlement or deformation. The Contractor may be required to employ screw jacks or hardwood wedges to take up slight settlement in the falsework either before or during the placing of concrete. An allowance shall be made for anticipated compressibility of falsework and for the placement of shims, wedges, or jacks to produce the permanent structural camber shown on the plans. If during construction, any weakness develops and the falsework shows any undue settlement or distortion, the work shall be stopped, the part of the structure affected removed, and the falsework strengthened before work is resumed. Falsework which cannot be founded on a satisfactory footing shall be supported on piling, which shall be spaced, driven, and removed, as referenced in Subsection 907-804.03.15, in a manner approved by the Engineer.

All structures built across a public street or highway on which maintenance of traffic is required, shall have falsework so arranged that a vertical clearance of at least 12' 6" is provided. Unless otherwise specified, a horizontal clearance of at least the width of the traveled way shall be provided at all times. If the vertical clearance is less than 13' 6" or the horizontal clearance is less than the full crown width of the roadway, the Contractor shall install and maintain appropriate safety devices, clearance signs and warning lights, and shall notify the Engineer sufficiently in advance of restricting the clearance for the Engineer to advise both the Traffic Engineering and the Maintenance Divisions. All traffic control and safety devices shall be in accordance with the Manual on Uniform Traffic Control Devices (MUTCD).

**907-804.03.14--Forms.**

**907-804.03.14.1--General.** Forms shall be wood, metal, or other material approved by the Engineer. All forms shall be built mortar-tight and sufficiently rigid to prevent distortion due to pressure of the concrete and other loads incident to the construction operations. Forms shall be constructed and maintained so as to prevent warping and the opening of joints due to shrinkage. The forms shall be substantial and unyielding and shall be so designed that the finished concrete will conform to the proper dimensions and contours. The design of the forms shall take into account the effect of vibration of concrete as it is placed.

Minimum requirements for slab overhang forms shall be 3/4-inch plywood supported on 2-inch x 6-inch S4S wood timbers placed flatwise on 16-inch centers.

Adjustable brackets for support of slab overhang forms shall be spaced at a maximum distance of 3' 0" center to center unless specifically approved otherwise. Grade points for forms shall coincide with the location of the adjustable form brackets.

Forms for surfaces exposed to view shall be of uniform thickness with a smooth inside surface of an approved type. Joints in forms for exposed surfaces shall be closely fitted to eliminate fins, stone pockets, or other variations in the surface of the concrete which would mar a smooth and uniform texture.

Forms shall be filleted at all sharp corners and shall be given a bevel or draft in the case of all projections, such as girders and copings, to ensure easy removal.

Metal ties or anchorages within the forms shall be so constructed as to permit their removal, without injury to the concrete, to a depth of at least the reinforcing steel clearance shown on the plans. In case ordinary wire ties are permitted, all wires, upon removal of the forms, shall be cut back at least 1/4 inch from the face of the concrete with chisels or nippers. Nippers shall be used for green concrete. All fittings for metal ties shall be designed so that upon their removal the cavities which are left will be the smallest practicable size. The cavities shall be filled with cement mortar and the surface left sound, smooth, even, and uniform in color.

Forms shall be set and maintained to the lines designated until the concrete is sufficiently cured for form removal. Forms shall remain in place for periods which shall be determined as hereinafter specified. If forms are deemed to be unsatisfactory in any way, either before or during the placing of concrete, the Engineer will order the work stopped until the defects have been corrected.

The shape, strength, rigidity, water-tightness, and surface smoothness of reused forms shall be maintained at all times. Warped or bulged lumber shall be resized before being reused. Forms which are unsatisfactory in any respect shall not be reused.

Access to the lower portions of forms for narrow walls and columns shall be provided for cleaning out extraneous material immediately before placing the concrete.



All forms shall be treated with an approved oil or saturated with water immediately before placing the concrete. For rail members or other members with exposed faces, the forms shall be treated only with an approved oil to prevent the adherence of concrete. Any material which will adhere to or discolor the concrete shall not be used.

When metal forms are used they shall be kept free from rust, grease, or other foreign matter which will discolor the concrete. They shall be of sufficient thickness and so connected that they will remain true to shape and line, and shall conform in all respects as herein prescribed for mortar tightness, filleted corners, beveled projections, etc. They shall be constructed so as to ensure easy removal without injury to concrete. All inside bolt and rivet heads shall be countersunk.

All chamfer strips shall be dressed, straight, and of uniform width and shall be maintained as such at all times.

**907-804.03.14.2--Stay-In-Place Metal Forms.** Stay-in-place (SIP) metal forms are corrugated metal sheets permanently installed between the supporting superstructure members. After the concrete has cured, these forms shall remain in place as permanent, non-structural members of the bridge.

Pay quantities for deck concrete will be computed from the dimensions shown in the Contract Plans with no allowance for changes in deflection and /or changes in dimensions necessary to accommodate the SIP metal forms.

There will be no direct payment for the cost of the forms and form supports, or any material, tools, equipment, or labor incidental thereto, but the cost shall be considered absorbed in the contract unit price for concrete.

Before fabricating any material, three (3) complete sets of SIP metal form shop drawings and design calculations, bearing the Design Engineer's Seal, shall be submitted to the Director of Structures, State Bridge Engineer, through the Engineer, for review. The Contractor's SIP metal form Design Engineer shall be a MS Registered Professional Engineer who is knowledgeable in the field of structural design.

In no case shall additional dead load produced by the use of SIP metal forms overstress any bridge component. Design calculations shall indicate any additional dead load from SIP metal form self-weight, form support hangers, concrete in flutes, concrete due to form deflection, etc. not included in the Contract Plans. The additional dead loads shall be clearly labeled and tabulated on the shop drawings. Bridge Division will evaluate the additional load for overstress of the bridge components. In the event that the additional dead load produces an overstress in any bridge component, Bridge Division will reject the Contractor's design. Deflection and loads produced by deflection of the SIP metal forms shall be considered and indicated in the design calculations.

The cambers and deflections provided in the Contract Plans do not consider the effects of SIP metal forms. The Contractor's Engineer shall take into account the weight of the forms and any additional dead load when developing the "Bridge Superstructure Construction Plan".

For the purpose of reducing any additional dead load produced by the SIP metal forms, the flutes of SIP metal forms may be filled with polystyrene foam. When polystyrene foam is used to fill the forms, the form flutes shall be filled completely; no portion of the polystyrene foam shall extend beyond the limits of the flutes. The Contractor shall ensure that the polystyrene foam remains in its required position within flutes during the entire concrete placement process. The Contractor shall not use reinforcing steel supports or other accessories in such a manner as to cause damage to the polystyrene foam. All damaged polystyrene foam shall be replaced to the satisfaction of the Engineer. All welding of formwork shall be completed prior to placement of polystyrene foam.

For bridges not located in horizontal curves, the Contractor may reduce the additional dead load by matching the flute spacing with the transverse steel spacing of the bottom layer. The bottom longitudinal layer of steel shall have one (1) inch of minimum concrete cover measured from the bottom of the reinforcing to the top of the flute. The Contractor will not be allowed to vary the reinforcing steel spacing or size from the Contract Plans for the purpose of matching flute spacing.

**907-804.03.14.2.1--Materials.** SIP metal forms and supports shall meet the requirements of ASTM Designation: A653 having a coating designation G165. Form materials that are less than 0.03-inch uncoated thickness shall not be allowed.

**907-804.03.14.2.2--Certification.** The Contractor shall provide written certification from the manufacturer stating the product meets the requirements of this specification to the Engineer along with the delivery of the coated forms to the job site.

**907-804.03.14.2.3--Polystyrene Foam.** The polystyrene foam shall be comprised of expanded polystyrene manufactured from virgin resin of sufficient density to support the weight of concrete without deformation. The polystyrene foam shall be extruded to match the geometry of the flutes and provide a snug fit. The polystyrene foam shall have a density of not less than 0.8 pounds per cubic foot. The polystyrene foam shall have water absorption of less than 2.6% when tested according to ASTM Designation: C272. The Contractor shall provide written certification from the manufacturer stating the polystyrene foam product meets the requirements of this specification to the Engineer along with the delivery of the coated forms to the job site.

**907-804.03.14.2.4--Design.** The design of the SIP metal forms shall meet the following criteria.

1. The maximum self-weight of the stay in place metal forms, plus the weight of the concrete or expanded polystyrene required to fill the form flutes (where used), shall not exceed 20 psf.
2. The forms shall be designed on the basis of dead load of form, reinforcement, and plastic concrete plus 50 pounds per square foot for construction loads. The design shall use a unit

working stress in the steel sheet of not more than 0.725 of the specified minimum yield strength of the material furnished, but not to exceed 36,000 psi.

3. Deflection under the weight of the forms, reinforcement, and plastic concrete shall not exceed 1/180 of the form span or 1/2 inch, whichever is less, for form spans of 10 feet or less, or 1/240 of the form span or 3/4 inch, whichever is less, for form spans greater than 10 feet.
4. The design span of the form shall equal the clear span of the form plus two (2) inches. The span shall be measure parallel to the form flutes.
5. Physical design properties shall be computed in accordance with requirements of the AISI Specifications for the Design of Cold Formed Steel Structural Members, latest published edition.
6. The design concrete cover required by the plans shall be maintained for all reinforcement.
7. The plan dimensions of both layers of primary deck reinforcement from the top surface of the concrete deck shall be maintained.
8. The SIP metal form shall not be considered as lateral bracing for compression flanges of supporting structural members.
9. SIP metal forms shall not be used under closure pours or in bays where longitudinal slab construction joints are located. SIP metal forms shall not be used under cantilevered slabs such as the overhang outside of fascia members.
10. Forms shall be secured to the supporting members by means other than welding directly to the member. Welding to the top flanges of steel stringers and/or girders shall not be allowed. Alternate installation procedures shall be submitted addressing this condition.

**907-804.03.14.2.5--Construction.** SIP metal form sheets shall not rest directly on the top of the stringer of floor beam flanges. Sheets shall be fastened securely to form supports, and maintain a minimum bearing length of one (1) inch at each end for metal forms. Form supports shall be placed in direct contact with the flange of the stringer or floor beam. All attachments for coated metal forms shall be made by bolts, clips, screws, or other approved means.

**907-804.03.14.2.6--Form Galvanizing Repairs.** Where forms or their installation are unsatisfactory in the opinion of the Engineer, either before or during placement of the concrete, the Contractor shall correct the defects before proceeding with the construction work. The cost of such corrective work shall be at the sole expense of the Contractor. Minor heat discoloration in areas of welds shall not be touched up.

**907-804.03.14.2.7--Concrete.** The Contractor shall ensure concrete placement does not damage the SIP metal forms. Approved pouring sequences shall be used. The completed SIP metal form system shall be sufficiently tight to prevent leakage of mortar or concrete. The concrete shall be

consolidated to avoid honeycomb and voids, especially at construction joints, expansion joints, valleys, and ends of form sheets. Calcium chloride or any other admixture containing chloride salts shall not be used in the concrete.

**907-804.03.14.2.8--Inspection.** The Engineer will observe the Contractor's method of construction during all phases of the construction of the bridge deck slab, including the installation of the SIP metal form system; location and fastening of the reinforcement; composition of concrete items; mixing procedures, concrete placement, and vibration; and finishing of the bridge deck. Should the Engineer determine that the procedures used during the placement of the concrete warrant inspection of the underside of the deck, at least one section of the metal forms shall be removed in each span for this purpose. This shall be done as soon after placing the concrete as practical in order to provide visual evidence that the concrete mix and the procedures are obtaining the desired results. An additional section shall be removed in any span if the Engineer determines that there has been any change in the concrete mix or in the procedures warranting additional inspection.

If, in the Engineer's judgment, inspection is needed to check for defects in the bottom of the deck or to verify soundness, the SIP metal forms shall be sounded with a hammer after the deck concrete has been in place a minimum of two days. If sounding discloses areas of doubtful soundness to the Engineer, the SIP metal forms shall be removed from such areas for visual inspection after the concrete has attained adequate strength. The SIP metal bridge deck forms shall be removed at no expense to the State.

At locations where sections of the metal forms have been removed, the Engineer will not require the Contractor to replace the metal forms. The adjacent metal forms and supports shall be repaired to present a neat appearance and to ensure their satisfactory retention. As soon as the form is removed, the Engineer will examine the concrete surfaces for cavities, honeycombing, and other defects. If irregularities are found and the Engineer determines that these irregularities do not justify rejection of the work, the concrete shall be repaired as directed by the Engineer. If the Engineer determines that the concrete where the form is removed is unsatisfactory, additional metal forms as necessary shall be removed to inspect and repair the slab, and the Contractor's method of construction shall be modified as required to obtain satisfactory concrete in the slab. All unsatisfactory concrete shall be removed and replaced as directed at no expense to the State.

If the method of construction and the results of the inspections as outlined above indicate that sound concrete has been obtained throughout the slabs, the amount of sounding and form removal may be reduced when approved by the Engineer.

The Contractor shall provide a safe and convenient means of conducting of the inspection.

**907-804.03.15--Removal of Falsework, Forms, and Housing.** In the determination of the time for the removal of falsework, forms, and housing and the discontinuance of heating, consideration shall be given to the location and character of the structure, the weather and other conditions influencing the setting of the concrete, and the materials used in the mix. No forms or supports shall be removed prior to approval by the Engineer. During cold weather, removal of

housing and the discontinuance of heating shall be in accordance with Subsection 907-804.03.16.1.

Concrete in the last pour of a continuous superstructure shall have attained a compressive strength of 2,400 psi, as determined by cylinder tests or maturity meter probe, prior to striking any falsework. It is important that falsework be removed as evenly as possible to prevent excessive deflection stresses in the spans.

At the Contractor's option and with the approval of the Engineer, the time for removal of forms may be determined by cylinder tests, in accordance with the requirements listed in Table 6, in which case the Contractor shall furnish facilities for testing the cylinders. The facilities shall include an approved concrete testing machine of sufficient capacity and calibrated by an acceptable commercial laboratory. Tests shall be conducted in the presence of a Department representative to witness and record strengths obtained on each break or performed by a Department certified technician in an approved testing laboratory.

The cylinders shall be cured under conditions which are not more favorable than those existing for the portions of the structure which they represent.

**Table 6**  
**Minimum Compressive Strength Requirements for Form Removal**

**Forms:**

Columns .....	1000 psi
Side of Beams .....	1000 psi
Walls not under pressure .....	1000 psi
Floor Slabs, overhead .....	2000 psi
Floor Slabs, between beams .....	2000 psi
Slab Spans .....	2400 psi
Other Parts .....	1000 psi

**Centering:**

Under Beams .....	2400 psi
Under Bent Caps .....	2000 psi

**Limitation for Placing Beams on:**

Pile Bents, pile under beam .....	2000 psi
Frame Bents, two or more columns .....	2200 psi
Frame Bents, single column .....	2400 psi

For bridges, non-SIP metal forms for bridge deck slabs overhead and bridge deck slabs between beams shall be removed with the approval of the Engineer, between two weeks and four weeks after the removal of the wet burlap applied in accordance with Subsection 907-804.03.17.1, or application of liquid membrane applied in accordance with Subsection 907-804.03.17.2.

In lieu of using concrete strength cylinders to determine when falsework, forms, and housings can be removed, an approved maturity meter may be used to determine concrete strengths by inserting probes into concrete placed in a structure. The minimum number of maturity meter probes required for each structural component shall be in accordance with Table 7. Falsework, forms, and housings may be removed when maturity meter readings indicate that the required concrete strength is achieved. Procedures for using the maturity meter and developing the strength/maturity relationship shall follow the requirements of AASHTO Designation: T 325 and ASTM Designation: C 1074 specifications. Technicians using the maturity meter or calculating strength/maturity graphs shall be required to have at least two hours of training prior to using the maturity equipment.

**Table 7  
Requirements for use of Maturity Meter Probes**

<b>Structure Component</b>	<b>Quantity of Concrete</b>	<b>No. of Probes</b>
Slabs, beams, walls, & miscellaneous items	0 - 30 yd <sup>3</sup>	2
	> 30 to 60 yd <sup>3</sup>	3
	> 60 to 90 yd <sup>3</sup>	4
	> 90 yd <sup>3</sup>	5
Footings, Columns & Caps	0 - 13 yd <sup>3</sup>	2
	> 13 yd <sup>3</sup>	3
Pavement, Pavement Overlays	1200 yd <sup>2</sup>	2
Pavement Repairs	Per repair or 900 yd <sup>2</sup> Whichever is smaller	2

Methods of form removal likely to cause overstressing of the concrete shall not be used. Forms and supports shall be removed in a manner that will permit the concrete to uniformly and gradually take the stresses due to its own weight. Centers shall be gradually and uniformly lowered in a manner that will avoid injurious stresses in any part of the structure.

As soon as concrete for railings, ornamental work, parapets and vertical faces which require a rubbed finish has attained a safe strength, the forms shall be carefully removed without marring the surfaces and corners, the required finishing performed, and the required curing continued.

Prior to final inspection of the work, the Contractor shall remove all falsework, forms, excavated material or other material placed in the stream channel during construction. Falsework piles may be cut or broken off at least one foot below the mudline or ground line unless the plans specifically indicate that they are to be pulled and completely removed from the channel.

**907-804.03.16--Cold or Hot Weather Concreting.**

**907-804.03.16.1--Cold Weather Concreting.** In cold weather, the temperature of the concrete when delivered to the job site shall conform to the temperature limitations of “Temperature Limitations on Concrete when Delivered to Job Site” listed in Table 8 below. Cold weather is defined as three consecutive days when there is a probability that the daily average of the highest

and lowest ambient temperatures is expected to be less than 40°F. This three-day forecast shall be based on the latest information available from the National Weather Service.

When the Contractor proposes to place concrete during seasons when there is a probability of ambient temperatures lower than 40°F, the Contractor shall have available on the project the approved facilities necessary to enclose uncured concrete and to keep the temperature of the air inside the enclosure within the ranges and for the minimum periods specified herein.

When there are indications of temperatures of less than 40°F during the first four days after placement of the concrete, the concrete shall be protected from cold temperatures by maintaining a temperature between 50°F and 100°F for at least four days after placement and between 40°F and 100°F for at least three additional days. The Contractor shall use such heating equipment such as stoves, salamanders, or steam equipment as deemed necessary to protect the concrete. When dry heat is used, means of maintaining atmospheric moisture shall be provided.

At the option of the Contractor with the approval of the Engineer, when concrete is placed during cold weather and there is a probability of ambient temperatures lower than 40°F, an approved maturity meter may be used to determine concrete strengths by inserting probes into concrete placed in a structure. The minimum number of maturity meter probes required for each structural component shall be in accordance with Table 7. An approved insulating blanketing material shall be used to protect the work when ambient temperatures are less than 40°F and shall remain in place until the required concrete strength in Table 6 is achieved. Procedures for using the maturity meter and developing the strength/maturity relationship shall follow the requirements of AASHTO Designation: T 325 and ASTM Designation: C 1074 specifications. Technicians using the maturity meter or calculating strength/maturity graphs shall be required to have at least two hours of training prior to using the maturity equipment.

One or more of the aggregates and/or mixing water may be heated. The aggregates may be heated by steam, dry heat, or by placing in the mixing water which has been heated. Frozen aggregates shall not be used. When either aggregates or water are heated above 100°F, the aggregates and water shall be combined first in the mixer before the cement is added to avoid flash set. Cement shall not be mixed with water or with a mixture of water and aggregate having a temperature greater than 100°F.

The use of salt or other chemical admixtures in lieu of heating will not be permitted.

Before placing concrete, all ice or frost shall be removed from the forms and reinforcement.

In the case of concrete placed directly on or in the ground, such as for footings or bottom slabs, protection and curing during cold weather may be provided as set for concrete pavement under Subsection 501.03.20.3.

The Contractor shall assume all risk and added cost connected with the placing and protecting of concrete during cold weather. Permission given by the Engineer to place concrete during such time will in no way relieve the Contractor of responsibility for satisfactory results. Should it be determined at any time that the concrete placed under such conditions is unsatisfactory, it shall

be removed and replaced with satisfactory concrete by the Contractor without extra compensation.

**TABLE 8  
COLD WEATHER TEMPERATURE LIMITATIONS ON CONCRETE WHEN  
DELIVERED TO JOB SITE**

Section thickness in the least dimension inches	Jobsite Acceptance Temperature Range °F
Less than 12	55 to 75
12 to 36	50 to 70
36 to 72	45 to 65
Greater than 72	40 to 60

**907-804.03.16.2--Hot Weather Concreting.** The manufacture, placement, and protection of concrete during hot weather requires special attention to ensure that uniform slump ranges and satisfactory placement qualities are maintained, that surface cracking is held to a minimum, and that design strengths are produced.

**907-804.03.17--Curing Concrete.** Curing is defined as all actions taken to ensure the moisture and temperature conditions of freshly placed concrete exist so the concrete may develop its potential properties. Curing shall take place from the time of placement until its potential properties have developed. The Contractor shall use the guidance in ACI 308R-01 to:

- a) cure the concrete in such a manner as to prevent premature moisture loss from the concrete,
- b) supply additional moisture to the concrete as required in order to ensure sufficient moisture within the concrete, and
- c) maintain a concrete temperature beneficial to the concrete.

Curing in accordance with the requirements in either Subsection 907-804.03.17.1 or Subsection 907-804.03.17.2 shall be completely established within 20 minutes after finishing, except as noted for bridge decks. Finishing is complete when the pan drag, burlap drag, or other finishing method is complete.

When stay-in-place (SIP) metal forms are used in accordance with Subsection 907-804.03.14.2 in conjunction with the Transverse Method in accordance with Subsection 804.03.19.7.3, if the concrete mixture contains lightweight aggregate (LWA) meeting the requirements of Subsection 907-703.19.2 and an internal curing water content of 8.0 pounds or greater per 100 pounds of total cementitious materials, curing shall be accomplished in accordance with either Subsection 907-804.03.17.1 or Subsection 907-804.03.17.2. The minimum amount of LWA shall be established following the information in the Department's *Concrete Field Manual*, Paragraph 5.5.5. If the concrete mixture does not meet or exceed this internal curing water content, curing shall be accomplished in accordance with Subsection 907-804.03.17.1.



When SIP metal forms are not used or used in conjunction with the Longitudinal Method in accordance with Subsection 804.03.19.7.2, curing shall be accomplished in accordance with either Subsection 907-804.03.17.1 or Subsection 907-804.03.17.2.

The length of time for curing shall be maintained in accordance with either of the following:

**1. Prescribed Length of Time:**

- a) Curing following the requirements of Subsection 907-804.03.17.1 shall continue uninterrupted for at least 14 days.
- b) Curing following the requirements of Subsection 907-804.03.17.2 shall continue uninterrupted for at least 10 days.

OR

**2. Length of Time Defined by Development of Compressive Strength:**

Curing following the application requirements of Subsection 907-804.03.17.1 or Subsection 907-804.03.17.2 shall continue uninterrupted for each day's production until the compressive strength of the concrete exceeds 75% of the 28-day compressive strength submitted as the Basis of Proportioning per Subsection 907-804.02.10.1. Therefore, if an area is being cured in accordance with Subsection 907-804.03.17.1, the curing by wet burlap shall continue until the concrete in that area has attained a minimum of 75% of the 28-day compressive strength submitted as the Basis of Proportioning per Subsection 907-804.02.10.1. Likewise, if an area is being cured in accordance with Subsection 907-804.03.17.2, the curing by liquid membrane shall continue until the concrete in that area has attained a minimum of 75% of the 28-day compressive strength submitted as the Basis of Proportioning per Subsection 907-804.02.10.1.

The compressive strength of the concrete may be determined by the use of maturity meter in accordance with Subsection 907-804.03.15.

**907-804.03.17.1--Water With Waterproof Cover.** All burlap shall be completely saturated and wet prior to placing it on the concrete. The burlap shall have been fully soaked in water for a minimum of 12 hours prior to placement on the concrete.

For bridge decks, the Contractor shall apply one (1) layer of saturated burlap within 20 minutes of the initial strike-off for bridges without a skew and 25 minutes of the initial strike-off for bridges with a skew. For all other concrete, the Contractor shall apply one (1) layer of saturated burlap within 20 minutes of completing finishing.

For bridge decks, following the first layer of burlap, the Contractor shall apply a second layer of saturated burlap within five (5) minutes of applying the first layer.

The applied burlap shall completely cover all exposed concrete surfaces. In areas where the burlap may not be directly applied due to the concrete surface, for example, in areas where reinforcing steel protrudes thru the concrete surface, like in the areas of a bridge deck where the bridge railing

will be constructed at a later time, the saturated burlap shall be draped over the steel. The concrete surface shall not be allowed to dry after strike-off or at any time during the curing period.

The Contractor shall maintain the burlap in a fully wet condition using powered fogging equipment capable of producing a fog spray of atomized droplets of water until the concrete has gained sufficient strength to allow foot traffic without the foot traffic marring the surface of the concrete. Burlap shall not be maintained in the fully wet condition using equipment which does not produce a fog spray of atomized droplets of water or by use of manually pressurized sprayers.

For bridge decks, once the concrete has gained sufficient strength to allow foot traffic which does not mar the surface of the concrete, soaker hoses shall be placed on the burlap. The soaker hoses shall then be supplied with running water continuously to maintain continuous saturation of all burlap and the entire concrete surface.

If there is a delay in the placement of the first layer of saturated burlap outside the time limit, the struck-off and finished concrete shall be kept wet by use of the powered fogging equipment used to keep the burlap wet.

White polyethylene sheets shall be placed on top of the wet burlap and, as applicable, soaker hoses, covering the entire concrete surface as soon as practical and not more than 12 hours after the placement of the concrete. White polyethylene sheets of the widest practical width shall be used, overlapping adjacent sheets a minimum of six inches (6") and tightly sealed with an adhesive like pressure sensitive tape, mastic, glue, or other approved methods to form a complete waterproof cover of the entire concrete surface. White polyethylene sheets which overlap a minimum of two feet (2') may be held in place using means other than an adhesive. The white polyethylene sheets shall be secured so that wind will not displace them. The Contractor shall immediately repair the broken or damaged portions or replace sections that have lost their waterproof qualities.

If burlap and/or white polyethylene sheets are temporarily removed for any reason during the curing period, the Contractor shall keep the entire exposed area continuously wet. The saturated burlap and white polyethylene sheets shall be replaced, resuming the specified curing conditions, as soon as possible.

The Contractor shall inspect the bridge deck surface once every eight (8) hours for the entirety of the curing period, so that all areas remain wet for the entire curing period and all curing requirements are satisfied and document the inspection in accordance with Subsection 907-804.03.17.1.1.

At the end of the curing period, one coating of liquid membrane shall be applied following the requirements of Subsection 907-804.03.17.1.2. The purpose of the coating of liquid membrane is to allow for slow drying of the concrete. The application of liquid membrane to any area shall be complete within 30 minutes of the beginning of removal of the white polyethylene sheets, soaker hoses, and burlap from this area.

**907-804.03.17.1.1--Documentation for Bridge Decks.** The Contractor shall provide the Engineer with a daily inspection report that includes:

- documentation that identifies any deficiencies found (including location of deficiency);
- documentation of corrective measures taken;
- a statement of certification that all areas are wet and all curing material is in place on the entire bridge deck;
- documentation showing the time and date of all inspections and the inspector's signature;
- documentation of any temporary removal of curing materials including location, date and time, length of time curing was removed, and means taken to ensure exposed area was kept continuously wet.

**907-804.03.17.1.2--Liquid Membrane.** At the end of the 14-day wet curing period the wet burlap and polyethylene sheets shall be removed and within 30 minutes, the Contractor shall apply white liquid membrane to the deck. The liquid membrane shall be thoroughly mixed within the time recommended by the liquid membrane producer but no more than an hour before use. If the use of liquid membrane results in a streaked or blotched appearance, the method shall be stopped and water curing applied until the cause of defective appearance is corrected.

The liquid membrane shall be applied when no free water remains on the surface but while the surface is still wet. The liquid membrane shall be applied according to the manufacturer's instructions with a minimum spreading rate per coat of one (1) gallon per 200 square feet of concrete surface. If the concrete is dry or becomes dry, the Contractor shall thoroughly wet it with water applied as a fog spray by means of approved equipment.

The application of liquid membrane shall be accomplished by the use of power applied spray equipment using nozzles and other equipment recommended by the liquid membrane producer. Manually pressurized or manual pump-up type sprayers shall not be used to apply the first application of liquid membrane.

As a visual guide, the color of concrete covered with the required amount of liquid membrane should be indistinguishable from a sheet of commercially available standard "letter" size white copier paper placed on top of it when viewed from a distance of about five feet (5') away horizontally if standing on the same grade as the concrete. The appearance of the concrete does not supersede applying the minimum spreading rate.

The coating shall be protected against marring for at least seven (7) days after the application of the curing compound. The coating on bridge decks shall receive extra attention and may require additional protection as required by the Engineer. All membrane marred or otherwise disturbed shall be given an additional coating. Manually pressurized or manual pump-up type sprayers may be used for giving marred areas the required additional application of liquid membrane. Should the surface coating be subjected repeatedly to injury, the Engineer may require that the water curing method be applied at once.

The 7-day period during which the liquid membrane is applied and protected shall not be reduced even if the period of wet curing is extended past the required 14 days.

**907-804.03.17.1.2.1--Liquid Membrane Documentation.** The Contractor shall make available to the Engineer an application rate verification method and any information necessary during application of the liquid membrane to verify that the rate of application meets the prescribed rate for the various surfaces of the concrete, including, but not limited to, the top surface of the bridge deck and exposed sides of the bridge deck after any forms are removed. The Contractor shall submit this application verification method to the Engineer in accordance with Subsection 907-804.02.12.1.1.

One method of verifying the rate of application is as follows:

1. Determine the volume of liquid membrane in the container. For a container with a uniform cross-sectional area, for example a 55-gallon drum, determine the area of the cross-section. Determine the height of the surface of the liquid membrane from the bottom of the container. This may be accomplished by inserting a sufficiently long, clean dip-stick parallel with the axis of the container into the liquid membrane until the inserted end of the dip-stick contacts the bottom of the container. On removing the dip-stick, measure the length from the end which was inserted to the point on the dip-stick where the liquid membrane ceases to coat the dip-stick. Multiply the area of the cross-section by the height of the level of liquid membrane, maintaining consistent units, to determine the volume.
2. Perform step 1 prior to beginning applying the liquid membrane to establish the initial volume.
3. During the period of application, perform step 1 each 100 square feet of bridge deck.
4. In order to meet the required application rate of one (1) gallon per 200 square feet, the amount in the container shall be at least 0.5 gallon less than the previous volume in the previous 100 square feet. Other changes in volume may apply depending on the manufacturer's recommended application rate.
5. Additional applications to an area shall be applied until the required rate is satisfied. Areas which are not visually satisfactory to the Engineer shall have additional liquid membrane applied as directed by the Engineer.

The amount of liquid membrane applied shall be determined each day using the application verification method. This information shall be submitted to the Engineer within 24 hours of applying the liquid membrane.

**907-804.03.17.2--Liquid Membrane Method.** All surfaces on which curing is to be by liquid membrane shall be given the required surface finish prior to the application of liquid membrane. Concrete surfaces cured by liquid membrane shall receive two applications of white liquid membrane. Neither application shall be made from a position supported by or in contact with the freshly placed concrete. Both applications shall be applied perpendicularly to the surface of the concrete.

When using liquid membrane, the liquid membrane shall be thoroughly mixed within the time recommended by the liquid membrane producer but no more than an hour before use. If the use of liquid membrane results in a streaked or blotched appearance, the method shall be stopped and water curing applied until the cause of defective appearance is corrected.

The application of liquid membrane shall be accomplished by the use of power applied spray equipment using nozzles and other equipment recommended by the liquid membrane producer. Manually pressurized or manual pump-up type sprayers shall not be used to apply the first two applications of liquid membrane.

The liquid membrane shall be applied when no free water remains on the surface but while the surface is still wet. The liquid membrane shall be applied according to the manufacturer's instructions with a minimum spreading rate per coat of one (1) gallon per 200 square feet of concrete surface. If the concrete is dry or becomes dry, the Contractor shall thoroughly wet it with water applied as a fog spray by means of approved equipment.

The first application of the liquid membrane shall be made as the work progresses. For bridge decks, the first application shall be completed in each area of the deck, including the area in which the bridge railing will be later constructed, within 20 minutes of initial strike-off for bridges with no skew and within 25 minutes of initial strike-off for bridges with skew. For all other concrete, the first application of the liquid membrane shall be completed within 20 minutes of finishing.

The second application shall be applied within 30 minutes after the first application. The liquid membrane shall be uniformly applied to all exposed concrete surfaces.

As a visual guide, the color of concrete covered with the required amount of liquid membrane should be indistinguishable from a sheet of commercially available standard "letter" size white copier paper placed on top of it when viewed from a distance of about five feet (5') away horizontally if standing on the same grade as the concrete. The appearance of the concrete does not supersede applying the minimum spreading rate.

The Contractor shall make available to the Engineer an application rate verification in accordance with Subsection 907-804.03.17.1.2.1.

The coating shall be protected against marring for at least 10 days after the application of the curing compound. The coating on bridge decks shall receive extra attention and may require additional protection as required by the Engineer. All membrane marred or otherwise disturbed shall be given an additional coating. Manually pressurized or manual pump-up type sprayers may be used for giving marred areas the required additional application of liquid membrane. Should the surface coating be subjected repeatedly to injury, the Engineer may require that the water curing method be applied at once.

After the specified time for curing, but prior to constructing the bridge railing, all liquid membrane shall be removed from both the exposed surfaces of the reinforcing steel and the concrete surfaces on which bridge rail will be constructed. This removal of liquid membrane may be accomplished by high pressure washing or other methods approved by the Engineer.

**907-804.03.18--Expansion and Fixed Joints, Bearings, Anchor Bolts, Plates, Castings, Pipes, Drains, Conduits, Etc.** All joints shall be constructed according to details shown on the plans.

The edges of the concrete at open or filled joints shall be chamfered or edged as indicated on the plans.

**907-804.03.18.1--Open Joints.** Open joints shall be placed in the locations shown on the plans and shall be constructed by the insertion and subsequent removal of a wood strip, metal plate, or other approved material. The insertion and removal of the template shall be accomplished without chipping or breaking the corners of the concrete. Reinforcement shall not extend across an open joint unless so specified on the plans.

**907-804.03.18.2--Filled Joints.** Poured expansion joints and joints to be sealed with premolded materials shall be constructed similar to open joints. When premolded types are specified, the filler shall be placed in correct position as the concrete on one side of the joint is placed. When the form is removed, the concrete on the other side shall be placed. Adequate water stops of metal, rubber, or plastic shall be carefully placed as shown on the plans.

**907-804.03.18.3--Premolded and Preformed Joint Seals.** When preformed elastomeric compressive joint seals are specified, the previously formed and cured open joint shall be thoroughly cleaned of all foreign matter, the required adhesive uniformly applied, and the seal installed in accordance with the recommendations of the manufacturer of the seal.

When premolded filler is used for the joints in the roadway slab, the tops shall be adequately sealed with poured joint filler in accordance with details on the plans. Premolded filler shall be permanently fastened to an adjacent concrete surface by appropriate use of copper wire, copper nails, or galvanized nails.

**907-804.03.18.4--Steel Joints.** The plates, angles, or other structural shapes shall be accurately shaped at the shop to conform to the section of the concrete floor. Fabrication and painting shall conform to the specifications covering those items. When called for on the plans or in the special provisions, the material shall be galvanized in lieu of painting. Care shall be taken to ensure that the surface in the finished plane is true and free of warping. Positive methods shall be employed in placing the joints to keep them in correct position during the placing of the concrete. The opening at expansion joints shall be that designated on the plans at normal temperature, and care shall be taken to avoid impairment of the clearance in any manner.

**907-804.03.18.5--Water Stops.** Adequate water stops of metal, rubber, or plastic shall be placed as shown on the plans. Where movement at the joint is provided for, the water stops shall be of a type permitting movement without injury. They shall be spliced, welded, or soldered to form continuous watertight joints.

**907-804.03.18.6--Bearing Devices.** Bearing plates, rockers, and other bearing devices shall be constructed according to details shown on the plans. Unless otherwise specified or set in plastic concrete, they shall be set in grout to insure uniform bearing. Structural steel and painting shall conform to the requirements of Sections 810 and 814. When specified, the material shall be galvanized in lieu of painting. The rockers or other expansion bearing devices shall be set, considering the temperature at the time of erection, so that the required position of the device is provided.

At all points of bearing contact, concrete members shall be separated from underlying members by dimensioned bearing pads or by methods and/or materials specified on the plans.

When not otherwise specifically provided, contact areas between concrete super-structures and substructures shall be separated by three layers of No. 15, Type I, roofing felt.

**907-804.03.18.7--Friction Joints.** Metal friction joints shall consist of plates as indicated on the plans and shall be securely anchored in correct position. All sliding surfaces shall be thoroughly coated with an approved graphite grease. Movement shall not be impeded by the concrete in which the plates are embedded.

**907-804.03.18.8--Placing Anchor Bolts, Plates, Castings, Grillage, Conduits, Etc.** All anchor bolts, plates, castings, grillage, conduits, etc. indicated on the plans to be placed in or on the concrete shall be placed, set, or embedded as indicated or as directed. These items of the construction shall be set in portland cement mortar as referenced in Subsection 714.11.5, except that anchor bolts may, as permitted by the Engineer, be built into the masonry, set in drilled holes, or placed as the concrete is being constructed by inserting encasing pipe or oiled wooden forms of sufficient size to allow for adjustment of the bolts. After removal of the pipe or forms, the space around the bolts shall be filled with portland cement mortar completely filling the holes. The bolt shall be set accurately and perpendicular to the plane of the seat.

Anchor bolts which are to be set in the masonry prior to the erection of the superstructure shall be carefully set to proper location and elevation with a template or by other suitable means.

When bed plates are set in mortar, no superstructure or other load shall be placed thereon until this mortar has been allowed to set for a period of at least 96 hours, subject to the restrictions for cold weather concreting in Subsection 907-804.03.16.1. The mortar shall be kept well moistened during this period.

Weep hole drains shall be installed in abutments and retaining walls, and roadway drains or scuppers shall be installed in the roadway slabs in accordance with the details shown on the plans.

Where backfill is to be made at weep holes or openings in the structure, sand or stone chimneys or French drains shall be constructed as specified and shall extend through the portion of the backfill to be drained. Except as otherwise provided, the sand, stone, or slag used in this construction shall meet the requirements of Subsection 704.04.

**907-804.03.19--Finishing Concrete Surfaces.**

**804.03.19.1--Classes of Finishes.** Surface finishes of exposed concrete surfaces shall be classified as follows:

- Class 1 - Ordinary Surface Finish
- Class 2 - Rubbed or spray Finish

- Class 3 - Tooled Finish
- Class 4 - Sand-Blast Finish
- Class 5 - Wirebrush or Scrubbed Finish
- Class 6 - Floated Surface Finish

**907-804.03.19.2--Class 1, Ordinary Surface Finish.** Immediately following the removal of forms, all fins and irregular projections shall be removed from all surfaces except from those which are not to be exposed or not to be waterproofed. On all surfaces, the cavities produced by form ties and all other holes, honeycomb spots, broken corners or edges, and other defects shall be thoroughly cleaned, and after having been kept saturated with water for at least three hours shall be carefully pointed and trued with a mortar of cement and fine aggregate mixed in the proportions used in the class of the concrete being finished. Mortar used in pointing shall be not more than one hour old. The mortar patches shall be cured as specified under Subsection 907-804.03.17. All construction and expansion joints shall be left carefully tooled and free of mortar and concrete. The joint filler shall be left exposed for its full length with clean and true edges.

The resulting surfaces shall be true and uniform. All surfaces which cannot be repaired to the satisfaction of the Engineer shall be given a Class 2 rubbed finish.

**907-804.03.19.3--Class 2, Rubbed or Spray Finish.**

**907-804.03.19.3.1--Rubbed Finish.** After removal of forms, the Class 1 finish shall be completed and the rubbing of concrete shall be started as soon as its condition will permit. Immediately before starting this work, the concrete shall be kept thoroughly saturated with water for at least three hours. Surfaces shall be rubbed with a medium course Carborundum stone using a small amount of mortar on its face. The mortar shall be composed of cement and sand mixed in the proportions used in the concrete being finished. Rubbing shall be continued until all form marks, projections, and irregularities have been removed, all voids are filled, and a uniform surface has been obtained. The paste produced by this rubbing shall be left in place at this time.

After all concrete above the surface being treated has been cast, the final finish shall be obtained by rubbing with a fine Carborundum stone and water. This rubbing shall continue until the entire surface is of a smooth texture and uniform color.

After the final rubbing is completed and the surface has dried, it shall be rubbed with burlap to remove loose powder and objectionable marks.

**907-804.03.19.3.2--Spray Finish.** Prior to the spray finish, the concrete shall be given a Class 1 finish in accordance with Subsection 907-804.03.19.2, supplemented if necessary with a grout meeting the requirements of Subsection 714.11 with fine aggregate modified to require 100 percent passing the No. 16 Sieve.

Grout shall be applied with burlap pads or float sponges, and as soon as the grout has dried the surface shall be brushed to remove all loose grout and the surface left smooth and free of air holes. Surfaces to be sprayed shall be free of efflorescence, flaking coatings, dirt, oil, and other



foreign substances. Prior to application of the spray finish, the surfaces shall be free of moisture, as determined by sight and touch, and in a condition consistent with the manufacturer's published recommendations.

The spray finish material shall meet the requirements of Subsection 714.12 and shall be listed on of Approved Sources of Materials. The spray finish shall be applied with heavy duty spray equipment capable of maintaining a constant pressure as necessary for proper application. The material shall be applied as recommended by the manufacturer except the rate of application shall not be less than one gallon per 50 square feet of surface area without prior written approval of the Engineer.

The completed finish shall be tightly bonded to the structure and present a uniform appearance and texture equal to or better than a rubbed finish. If necessary, additional coats shall be sprayed to produce the desired surface texture and uniformity. Upon failure to adhere positively to the structure without chipping or cracking or to attain the desired surface appearance, the coatings shall be completely removed and the surface given a rubbed finish in accordance with 907-804.03.19.3.1, or other approved methods shall be used to obtain the desired surface finish to the satisfaction of the Engineer without additional cost to the State.

**907-804.03.19.4--Classes 3, 4, and 5 Finishes.** If required, specifications for these finishes will be contained in the special provisions.

**907-804.03.19.5--Class 6, Floated Surface Finish.** After the concrete has been deposited in place, it shall be consolidated and the surface shall be struck off by means of a strike board and floated with a wooden or cork float. An edging tool shall be used on edges and expansion joints. The surface shall not vary more than 1/8 inch under a 10-foot straightedge. The surface shall have a granular or matte texture which will not be slick when wet.

**907-804.03.19.6--Required Finishes for Various Surfaces.**

**907-804.03.19.6.1--General.** Unless otherwise specified, the top surface of sidewalks, the top horizontal surfaces of footings, and top slabs of box bridges, box culverts, or other structures shall be given a Class 6 finish. All formed concrete surfaces shall be given a Class 1 finish, except on surfaces which are completely enclosed, such as the inside surfaces of cells of box girders, the removal of fins and form marks and the rubbing of mortared surfaces to a uniform color will not be required.

In reference to finishing, exposed surfaces are surfaces or faces which may be seen after all backfill has been placed. Exposed surfaces requiring a Class 2 finish shall be finished at least one foot below the ground line or the low water elevation, whichever is higher.

The Class 2 finish shall be made upon a Class 1 finish. After the removal of forms the Class 1 finish shall be completed and the rubbing of concrete shall be started as soon as the condition of the concrete will permit.

Bridge floors shall be finished in accordance with Subsection 907-804.03.19.7.

**907-804.03.19.6.2--Finishing Formed Concrete Surfaces of Box Bridges, Box Culverts, Pipe Headwalls, and Minor Structures.** The exposed surfaces of wing walls and parapets of box bridges and box culverts to be used as vehicular or pedestrian underpasses shall be given a Class 2 finish. Exposed surfaces of other box culverts or box bridges, pipe culvert headwalls, and other minor structures shall be given a Class 1 finish unless otherwise indicated on the plans.

The exposed surfaces of retaining walls including copings and parapets shall receive a Class 2 finish.

**907-804.03.19.6.3--Finishing Formed Concrete Surface of Bridges.** All formed concrete bridge surfaces which are exposed shall have a Class 1 or 2 finish as set forth herein unless designated otherwise on the plans.

Bridges with designated surfaces for Class 2 finish are classified as follows:

- Group A - Bridges over highways, roads and streets.
- Group B - Bridges over waterways and railroads.
- Group BB - Twin or adjacent bridges of Group B category.

When a Group B or BB bridge also spans a highway, road or street, exposed concrete surfaces shall be finished in accordance with Group A requirements.

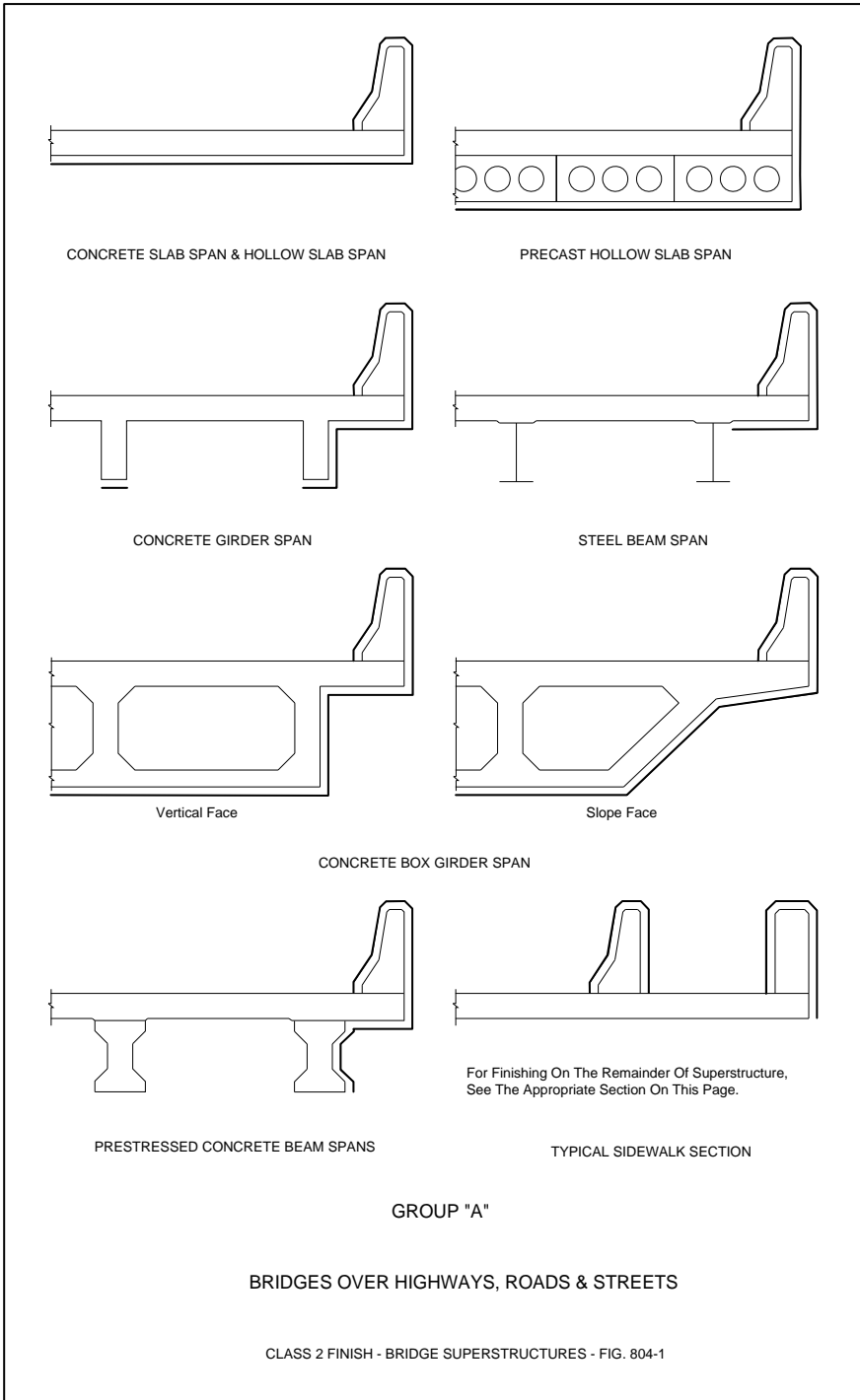
**(A) Superstructures.** Concrete surfaces to be given a Class 2 finish shall be the exposed surfaces of wings and rails and other exposed surfaces indicated by a double line in Figures 804-1, 804-2, and 804-3.

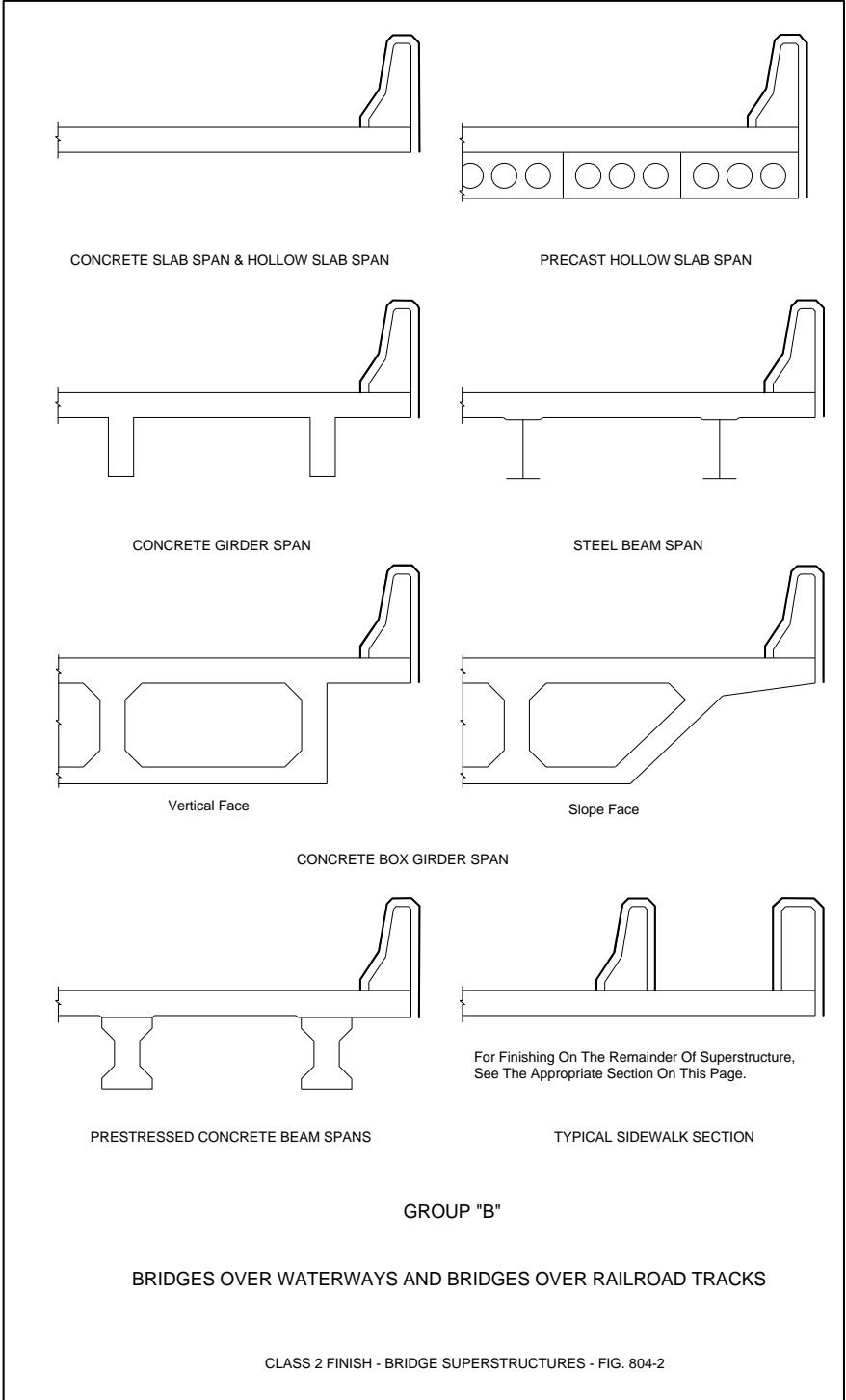
When a Group B or BB also spans a highway, road or street, the superstructure of spans over and extending one span in each direction beyond the lower level highway, road or street shall be given a Class 2 finish as shown for Group A.

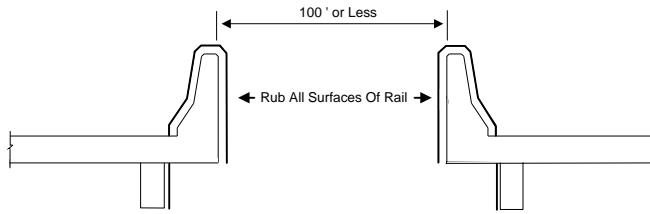
**(B) Substructures.** Concrete surfaces to be given a Class 2 finish are as follows:

**Group A.** Exposed surfaces of abutments, end bents, end bent posts, wing walls, railing, retaining walls, parapets, copings, piers, columns, piles, caps, struts or walls between columns or piles, encasement of steel piles, arch rings and spandrel walls.

**Group B and BB.** Exposed surfaces of abutments, wing walls, end bent posts, railing, retaining walls, parapets and copings.







GROUP "B B" - ADJACENT BRIDGES

GROUP "B B"

TWIN or DUAL BRIDGES

CLASS 2 FINISH - BRIDGE SUPERSTRUCTURES - FIG. 804-3

**907-804.03.19.7--Finishing Bridge Decks.**

**907-804.03.19.7.1--General.** Concrete bridge decks shall be struck off and finished by the method(s) designated on the plans.

In the event a method is not designated, the Contractor may use either the longitudinal or transverse method subject to the requirements contained in these specifications.

Except when indicated otherwise on the plans, the finish of the bridge deck shall be either a belt finish, a broom finish, or one of the following drag methods: pan, double pan, burlap, or pan and burlap. Manual finishing of the bridge deck shall be performed only in areas inaccessible by the finishing equipment mounted to the strike-off screed, but shall not hinder the requirements for curing in accordance with Subsection 907-804.03.17.1. The surface texture specified and surface requirements shall be in accordance with the applicable requirements of Subsections 501.03.17 and 501.03.18 modified only as the Engineer deems necessary for bridge deck construction operations.

At no time shall water on the surface of the concrete from bleeding, fogging, curing, or other sources be worked into the concrete or used as an aid for finishing.

Regardless of the method of finishing selected, requirements for curing per Subsection 907-804.03.17 shall be completed within the specified time limits. If the requirements in Subsection 907-804.03.17 are not completed within the specific time limits, the Contractor shall cease operations, revise his operations up to and including acquiring new or additional equipment or additional personnel in order to satisfy the requirements in Subsection 907-804.03.17, and, on approval from the Engineer, resume operations

**907-804.03.19.7.2--Longitudinal Method.** The longitudinal method may be used for repairs to bridge decks or bridge widening projects. For bridge widening projects, curing in accordance with Subsections 907-804.03.17 shall be completed within 30 minutes of initial strike-off for bridges without skew and within 35 minutes of initial strike-off for bridges with skew.

The longitudinal method requires that the strike-off screed be supported on accurately graded and supported bulkheads or templates placed across the full width at the end(s) of the pour. Before the concrete is placed, approved fixed templates or wooden bulkheads of not less than 1¼-inch lumber shall be placed perpendicular to the centerline of the roadway, or in the case of skew bridges at the angle of skew. At least one dry run shall be made the length of each pour with a "tell-tale" device attached to the screed to assure the specified clearance to the reinforcing steel. The upper surface of the template or bulkheads shall be accurately set to conform to the required grade and crown.

Special attention shall be given to the gutter lines where the strike-off screed cannot reach. The gutters shall be finished by hand and tested with the straight edge. Floor drains shall be set lower than the finished gutter line and finished over. After initial set, the concrete shall be dished out and finished around the drains to form an outlet.

After the concrete has been deposited and rough graded, it shall be struck off by means of a strike-off screed resting on the bulkheads or fixed templates. The strike-off screed shall be of a type satisfactory to the Engineer and shall have sufficient strength to retain its shape under all working conditions. The final surface shall comply with the applicable requirements of Subsections 501.03.17.6 and 501.03.18, and unless otherwise specified in the contract, the final finish under this method shall be the belt finish.

In general, the overall strike-off screed should be trussed, with bracing heavy enough to support the weight of a man without deflecting, and should be adjustable for camber and correction of sag.

The strike-off screed will ride on the bulkheads or fixed templates at the ends of the section being finished. Care shall be taken to see that the bulkhead or fixed template elevations are accurately set since the entire span surface will be controlled by them. The manipulation of the screed shall be such that neither end is raised from the bulkheads or templates during the process.

The concrete shall be struck off by beginning at one curb and proceeding entirely across the span. A slight excess of concrete shall be kept in front of the cutting edge at all times. This operation shall be repeated at least three times. In each case, the strike-off screed shall be picked up and carried back to the point of beginning. No backward strokes will be allowed. The strike-off screed shall be moved along the bulkheads or fixed templates with a combined longitudinal and transverse motion. This operation may be manual or mechanical. Standing or walking in the fresh concrete ahead of the strike-off screed will not be permitted.

**907-804.03.19.7.3--Transverse Method.** The transverse method requires that the screeding equipment be supported on accurately graded and supported rails placed beyond the gutter lines and parallel with the centerline of the bridge.

The machine shall be so constructed and operated as to produce a bridge deck of uniform density with minimum manipulation of the fresh concrete and achieved in the shortest possible time. Manual transverse methods of screeding will not be permitted.

The finishing machine shall be supported on vertically adjustable rails set a sufficient distance from the gutter line to allow free movement of the screed from gutter line to gutter line. Satisfactory means of load distribution with minimum rail deflection shall be provided. The screed rails for a deck pour shall be completely in place for the full length of the pour and shall be firmly secured prior to placing concrete. The screed rails shall be adjusted as necessary to compensate for settlement and deflection occurring during the screeding operations. Supports for the screed rail shall be located directly over slab overhang support brackets as referenced in Subsection 907-804.03.14.1.

At least one dry run shall be made the length of each pour with a "tell-tale" device attached to the screed carriage to assure the specified clearance to the reinforcing steel.

The screed shall be equipped with a metal cutting edge or other approved mechanical means for accurately fine grading the plastic concrete to the required grade and surface smoothness and

shall be supported by a bridging structure sufficiently rigid and heavy to perform operations satisfactorily on concrete of minimum slump without vibration, distortion, and wrecking of forms. The screed shall be mechanically actuated to deliver the screeding action and for travel in a longitudinal direction at a uniform rate along the bridge deck.

The screed shall complete sufficient passes to strike off all of the excess concrete with ample mortar along the entire leading edge to assure filling of low spots. Care shall be taken to remove all objectionable material from the gutters where final hand finishing will be required.

The selection of the transverse method may require the Contractor to furnish bridge deck concrete which contains an approved water-reducing set-retarding admixture in the quantities approved by the Engineer at no additional cost to the State. See Subsection 713.02 for more information.

Other finishing requirements shall be in accordance with the general requirements in Subsection 907-804.03.19.7.1 and as specified on the plans.

**907-804.03.19.7.4--Acceptance Procedure for Bridge Deck Smoothness.** After the bridge decks and bridge end slabs are completed and preferably before the construction of the bridge railing, they shall be tested for ride quality using a Contractor furnished profilograph. Profile Index Values shall be determined in accordance with Department SOPs and these specifications. The profilograph shall meet the requirements of Subsection 907-804.03.19.7.5. Profiles will be obtained in the wheel paths of the main thru lanes and, where conditions allow, in the wheel paths of any auxiliary lanes or tapers. Profile Index Values for bridge decks and bridge end slabs shall be obtained for all state roads with four lanes or more, on state roads three lanes or less where the current traffic count is 2000 ADT or higher, or as designated on the plans. Ride quality tests will begin at a point where the rearmost wheel of the profilograph is as close to the beginning of the bridge end slab as possible and shall proceed forward across the remainder of the bridge end slab, across the bridge deck and continue across the next bridge end slab to a point where the front-most wheel of the profilograph reaches the far-most edge of the bridge end slab. Bridges and bridge end slabs not requiring a ride quality test must meet a 1/8 inch in 10-foot straightedge requirement in longitudinal and transverse directions. Bridges in horizontal curves having a radius of less than 1000 feet at the centerline and bridges within the superelevation transition of such curves are excluded from a test with the profilograph.

The Profile Index Value for bridge decks including the bridge end slabs shall be averaged for the left and right wheel path for each lane and where applicable, each auxiliary lane and taper, and shall not exceed 65 inches per mile for each lane. Auxiliary lanes, tapers, shoulders and other areas that are not checked with the profilograph, shall meet a 1/8 inch in 10-foot straightedge check made transversely and longitudinally across the deck or slab. In addition, individual bumps or depressions exceeding 0.3 of an inch, when measured from a chord length of 25 feet, shall be corrected and the surface shall meet a 1/8 inch in 10-foot straightedge check made transversely across the deck or slab.

Bridge decks and bridge end slabs not meeting the preceding requirements shall be corrected. Corrective work shall be done at no additional cost to the Department. Corrective work shall



consist of grinding the bridge deck in accordance with this specification. All corrective work shall precede final surface texturing. After completion of final surface texturing, all surface areas corrected by grinding shall be sealed with a nonstaining 40% minimum alkylalkoxysilane penetrating sealant applied per the manufacturer's directions.

In case the bridge end slabs are to be constructed on a future project, the bridge deck(s) alone shall be tested for ride quality using the acceptance procedure outlined above, except that the ride quality test will begin at a point where the rearmost wheel of the profilograph is as close to the beginning of the bridge as possible and shall proceed forward across the bridge deck to a point where the front-most wheel of the profilograph reaches the far-most edge of the bridge.

Expansion joint installation shall be delayed and the joint temporarily bridged to facilitate operation of the profilograph and grinding equipment across the joint wherever feasible.

It shall be the Contractor's responsibility to schedule profilograph testing. The Contractor shall notify the Department at least five (5) days in advance of profilograph testing. The Contractor shall ensure that the area to be tested has been cleaned and cleared of all obstructions. Profilograph testing of bridge decks and bridge end slabs shall be performed by the Contractor under supervision of the Engineer. All profilograph testing shall be performed at no additional cost to the Department. The Contractor will be responsible for traffic control associated with this testing operation.

**907-804.03.19.7.4.1--Grinding Bridge Decks.**

**907-804.03.19.7.4.1.1--Equipment.** The grinding equipment shall be a power driven, self-propelled machine that is specifically designed to smooth and texture portland cement concrete pavement with diamond blades. The effective wheel base of the machine shall not be less than 12.0 feet. It shall have a set of pivoting tandem bogey wheels at the front of the machine and the rear wheels shall be arranged to travel in the track of the fresh cut pavement. The center of the grinding head shall be no further than 3.0 feet forward from the center of the back wheels.

The equipment shall be of a size that will cut or plane at least 3.0 feet wide. It shall also be of a shape and dimension that does not encroach on traffic movement outside of the work area. The equipment shall be capable of grinding the surface without causing spalls at cracks, joints, or other locations.

**907-804.03.19.7.4.1.2--Grinding.** The grinding areas will be determined by the Contractor and approved by the Engineer. The Contractor shall develop and submit to the Engineer for approval a Grinding Plan. The Contractor shall allow up to 45 days for the Department to review the Plan prior to starting any grinding operations. This plan shall include as a minimum:

- 1) Name of the project superintendent in responsible charge of the grinding operation.
- 2) List and description of all equipment to be used.
- 3) Maximum depth of each pass allowed by the grinding equipment.
- 4) Maximum width of each pass allowed by the grinding equipment.
- 5) Details of a sequence of the grinding operation.

- 6) Complete data from Profilograph runs, based on a 0.3 inch bump height, for each wheel path over the entire bridge including bridge end slabs, which shall include profile index, bump locations (in stations), bump heights and proposed final cross-slopes. When a computerized profilograph is used, a complete printout of the profile including the header information for each wheel path will be required.
- 7) Data showing reinforcing steel clearance in all areas to be ground.
- 8) A detailed drawing of the deck showing areas to be ground with station numbers and grinding depths clearly indicated.
- 9) A description of grinding in areas where drains are in conflict with grind areas.
- 10) Details of any changes in deck drainage, anticipated ponding, etc.

The Engineer will evaluate the grinding plan for conformance with the plans and specifications, after which the Engineer will notify the Contractor of any additional information required and/or changes that may be needed. Any part of the plan that is unacceptable will be rejected and the Contractor shall submit changes for reevaluation. All approvals given by the Engineer shall be subject to trial and satisfactory performance in the field, and shall not relieve the Contractor of the responsibility to satisfactorily complete the work.

The construction operation shall be scheduled and proceed in a manner that produces a uniform finished surface. Grinding will be accomplished in a manner that eliminates joint or crack faults while providing positive lateral drainage by maintaining a constant cross-slope between grinding extremities in each lane. Auxiliary or ramp lane grinding shall transition as required from the mainline edge to provide positive drainage and acceptable riding surface.

The operation shall result in a finished surface that conforms as close as possible to the typical cross-section and the requirements specified in Subsection 907-804.03.19.7.4.1.3.

The Contractor shall establish positive means for removal of grinding residue. Residue shall not be permitted to flow across lanes used by public traffic or into gutters or drainage facilities.

**907-804.03.19.7.4.1.3--Final Surface Texture.** The grinding process shall produce a finish surface that is as close as possible to grade and uniform in appearance with a longitudinal line type texture. The line type texture shall contain parallel longitudinal corrugations that present a narrow ridge corduroy type appearance. The peaks of the ridges shall be approximately 1/16 inch higher than the bottoms of the grooves with approximately 53 to 57 evenly spaced grooves per foot. Grinding chip thickness shall be a minimum of 0.080 inches thick.

The finished bridge decks and bridge end slabs shall be retested for riding quality using a Contractor furnished profilograph meeting the requirements of Subsection 907-804.03.19.7.5. The finished results shall meet the following conditions:

- (a) Individual bumps or depressions shall not exceed 0.3 inches when measured from a chord length of 25 feet.
- (b) The final index value for the bridge deck and bridge end slabs shall be an average of both the right and left wheel paths of each lane and shall not exceed 65 inches per mile.

The final profilogram will be furnished to the Engineer for informational purposes.

**907-804.03.19.7.5--Profilograph Requirements.** The smoothness of the bridge deck will be determined by using a California Profilograph to produce a profilogram (profile trace) at each designated location. The surface shall be tested and corrected to a smoothness index as described herein with the exception of those locations or specific projects that are excluded from a smoothness test with the profilograph.

The profilograph, furnished and operated by the Contractor under supervision of the Engineer, shall consist of a frame at least 25 feet in length supported upon multiple wheels having no common axle. The wheels shall be arranged in a staggered pattern so that no two wheels will simultaneously cross the same bump. A profile is to be recorded from the vertical movement of a sensing mechanism. This profile is in reference to the mean elevation of the contact points established by the support wheels. The sensing mechanism, located at the mid-frame, may consist of a single bicycle-type wheel or a dual-wheel assembly consisting of either a bicycle-type (pneumatic tire) or solid rubber tire vertical sensing wheel and a separate bicycle-type (pneumatic tire) longitudinal sensing wheel. The wheel(s) shall be of such circumference(s) to produce a profilogram recorded on a scale of one (1) inch equal to 25 feet longitudinally and one (1) inch equal to one (1) inch (full scale) vertically. Motive power may be provided manually or by the use of a propulsion unit attached to the center assembly. In operation, the profilograph shall be moved longitudinally along the pavement at a speed no greater than 3 MPH so as to reduce bounce as much as possible. The testing equipment and procedure shall comply with the requirements of Department SOP.

The Contractor may elect to use a computerized version of the profilograph in lieu of the standard profilograph. If the computerized version of the profilograph is used, it shall meet the requirements of Subsection 907-804.03.19.7.5.1.

**907-804.03.19.7.5.1--Computerized Profilograph.**

**907-804.03.19.7.5.1.1--General** The computerized profilograph, furnished and operated by the Contractor under the supervision of the Engineer, shall be equipped with an on-board computer capable of meeting the following conditions.

Vertical displacement shall be sampled every three (3) inches or less along the bridge deck. The profile data shall be bandpass filtered in the computer to remove all spatial wavelengths shorter than two (2) feet. This shall be accomplished by a third order, low pass Butterworth filter. The resulting band limited profile will then be computer analyzed according to the California Profilograph reduction process to produce the required inches per mile index. This shall be accomplished by fitting a linear regression line to the length of bridge. This corresponds to the perfect placement of the blanking band bar by a human trace reducer. Scallops above and below the blanking band are then detected and totaled according to the California protocol. Bump/Dip analysis shall take place according to the California Profilograph reduction process.

The computerized profilograph shall be capable of producing a plot of the profile and a printout which will give the following data: Stations every twenty five (25) feet, bump/dip height and

bump/dip length of specification (3/10 of an inch and 25 feet respectively), the blanking band width, date of measurement, total profile index in inches per mile for the measurement, total length of the measurement, and the raw inches for each segment.

**907-804.03.19.7.5.1.2--Mechanical Requirements.** The profilograph shall consist of a frame twenty five (25) feet long supported at each end by multiple wheels. The frame shall be constructed to be easily dismantled for transporting. The profilograph shall be constructed from aluminum, stainless steel and chromed parts. The end support wheels shall be arranged in a staggered pattern such that no two wheels cross a transverse joint at the same time. The relative smoothness shall be measured by the vertical movement of an eight (8) inch or larger diameter sensing wheel at the midpoint of the 25-foot frame. The horizontal distance shall be measured by a twenty (20) inch or larger diameter pneumatic wheel. This profile shall be the mean elevation referenced to the twelve points of contact with the pavement established by the support wheels. Recorded graphical trace of the profile shall be on a scale of one inch equals one inch (full scale) vertical motion of the sensing wheel and one inch equals 25 feet horizontal motion of the profilograph.

**907-804.03.19.7.5.1.3--Computer Requirements.** The computer shall have the ability to produce output on sight for verification. The computerized output shall indicate the profile index for each specified section of bridge deck. Variable low and high pass third-order Butterworth filtering options shall be available. The printout shall be capable of showing station marks automatically on the output. Blanking band positioning for each specified section of the bridge deck shall be placed according to the least squares fit line of the collected data. Variable bump and dip tests shall be available to show "must correct" locations on the printout. The computer must have the ability to display on screen "must correct" conditions and alert the user with an audible warning when a "must correct" location has been located. The computer must have the ability to store profile data for later reanalysis. The measurement program must be menu driven and PC compatible. User selected options, identification, calibration factors, and time and date stamps shall be printed at the top of each printed report for verification. The control software must be upgradeable. A power source shall be included for each profilograph and be capable of supplying all power needs for a full days testing.

**907-804.03.19.8--Finishing Horizontal Surfaces of Footings or Top Slabs of Box Bridges, Culverts, or Other Structures.** The finishing of horizontal surfaces of footing or top slabs of box bridges, culverts, or other structures shall be achieved by placing an excess of material in the form and removing or striking off the excess with a template, forcing the coarse aggregate below the mortar surface. After the concrete has been struck off the surface shall be given a Class 6 finish.

**907-804.03.19.9--Finishing Exposed Surfaces of Sidewalks.** After the concrete has been deposited in place it shall be consolidated and the exposed surface shall be given a Class 6 finish. An edging tool of the required radius shall be used on all edges and at all expansion joints. The surface shall have a granular texture which will not be slick when wet.

Sidewalk surfaces shall be laid out in blocks with an approved grooving tool as shown on the plans or as directed.

**907-804.03.20--Opening Bridges.**

**907-804.03.20.1--Public Traffic.** Unless otherwise specified, concrete bridge decks shall be closed to public highway traffic for a period of at least 21 days after placing concrete.

**907-804.03.20.2--Construction Traffic.** Unless otherwise specified, concrete bridge decks shall be closed to construction traffic for the time required for curing in Subsection 907-804.03.17 and the minimum required compressive strength for the concrete placed is obtained.

**907-804.03.21--Final Cleanup.** Upon completion of the work all equipment, surplus materials, forms, and waste material shall be removed, the bridge cleaned, and the site of the work given a final cleanup.

**907-804.03.22--Precast-Prestressed Concrete Bridge Members.**

**907-804.03.22.1--General.** All installations and plants for the manufacture of precast-prestressed bridge members shall be PCI (Precast / Prestressed Concrete Institute) Certified. Bridge members manufactured in plants or installations not so approved will not be accepted for use in the work. The Contractor or other manufacturer shall employ a technician skilled in the adopted system of prestressing to supervise the manufacturing operations. This technician shall be certified according to the guidelines of this specification. The Contractor shall develop and implement a Quality Control Program as per Division I of PCI Quality Control Manual, 4<sup>th</sup> Edition. The Quality Control Program shall be submitted to the District Materials Engineer for approval.

**907-804.03.22.2--Stressing Requirements.** The jacks for stressing shall be equipped with accurate calibrated gauges for registering the jacking pressure. Means shall be provided for measuring elongation of strands to at least the nearest 1/16 inch.

Prior to beginning work, the Contractor or manufacturer shall have all jacks to be used, together with their gauges, calibrated by an approved laboratory. All jacks and gauges shall have an accuracy of reading within two percent. The testing agency shall furnish the Engineer a statement certifying that the jacks and gauges meet this requirement. During the progress of the work, if a gauge appears to be giving erratic results or if the gauge pressure and elongations indicate materially differing stresses, recalibration will be required.

Calibration of jacks and gauges shall be repeated at intervals deemed necessary by the Engineer. These intervals for calibration shall not exceed one year.

Shop drawings of prestressed beams, including an erection plan, shall be submitted in duplicate to the Bridge Engineer for approval prior to manufacture of members.

**907-804.03.22.2.1--Methods.** Plans for the particular bridge members will show prestressing by one of the following methods:

**(A) Pretensioning.** The prestressing strands are stressed initially. After the concrete is placed, cured, and has attained the compressive strength shown on the plans, the stress is transferred to the member. The method used for pretensions shall be in accordance to Division V of PCI Quality Control Manual, 4<sup>th</sup> Edition.

**(B) Posttensioning.** The posttensioning tendons are installed in voids or ducts and are stressed and anchored after development of the compressive strength specified on the plans. The voids or ducts are then pressure grouted.

**(C) Combined Method.** Part of the reinforcing is pretensioned and part posttensioned. Under this method all applicable requirements for the two methods specified shall apply to the respective stressing elements being used.

**907-804.03.22.2.2--Alternate Details for Prestressed Members.** In the event that the Contractor / Manufacturer desires to use materials or methods that differ in any respect from those shown on the plans or described in these specifications, the Contractor shall submit for approval full plan details on acceptable tracings suitable for reproduction and specifications which shall become the property of the Department. In order for alternate materials and/or methods to be considered, they will be required to comply fully with the following:

- A. Provisions equal to those stipulated in these specifications.
- B. Current AASHTO Specifications.
- C. Recommendations of materials manufacturer.
- D. Camber tolerance of beams and spans shown on plans.

Note: Alternate materials and methods will not be authorized on Federal-Aid Projects.

The Engineer shall be the sole judge as to the adequacy and propriety of any variation of materials or methods.

**907-804.03.22.2.3--Stressing Procedure.**

**(A) General.** Stressing shall be performed by suitable jacks working against unyielding anchorages and capable of maintaining the required stress for an indefinite period without movement or yielding. Strands may be stressed singularly or in a group.

The tension to be applied to each strand shall be as shown on the plans. The tension shall be measured by both jacking gauges and elongations in the strands and the result shall check within close limits.

It is anticipated that there will possibly be a difference in indicated tension between jack pressure and elongation of about five (5) percent. In this event, the discrepancy shall be placed on the side of slight overstress rather than understress.

In the event of an apparent discrepancy between gauge pressure and elongation of as much as five (5) percent, the entire operation shall be carefully checked, and the source of error determined before proceeding further.

Elongation is to be measured after the strands have been suitably anchored, and all possible slippage at the anchorages has been eliminated.

In all stressing operations, the stressing force shall be kept as nearly symmetrical about the vertical axis of the member as practicable.

**(B) Pretensioning.** All strands to be prestressed shall be brought to a uniform initial tension prior to being given their full pretensioning. This uniform initial tension of approximately 1000 to 2000 pounds shall be measured by suitable means such as a dynamometer so that its value can be used as a check against elongation computed and measured.

After the initial tensioning, the strand or group shall be stressed until the required elongation and jacking pressure is within the limits specified.

When the strands are stressed in accordance with the plan requirements and these specifications and all other reinforcing is in place, the concrete shall be placed in the prepared forms.

Strand stress shall be maintained until the concrete between anchorages has attained the required compressive strength as determined by cylinder tests, after which the strands shall be cut off flush with the ends of column members, and cut as shown on the plans for beams, girders, etc. Strands shall be cut or released in such a manner that eccentricity of prestress will be kept to a minimum and no damage to the member will result. The strand cutting pattern shall be as shown on the plans or as approved by the Bridge Engineer.

**(C) Posttensioning.** For all posttensioning tendons/bars the anchor plates shall set exactly normal in all directions to the axis of the tendon/bar. Parallel wire anchorage cones shall be recessed within the beams. Tensioning shall not take place until the concrete has reached the compressive strength shown on the plans.

Elongation and jacking pressures shall make appropriate allowance for all possible slippage or relaxation of the anchorage. Posttensioning tendons/bars shall be stressed in the order and manner shown on the plans.

The units shall be tensioned until the required elongations and jacking pressures are attained and reconciled within the limits specified in Subsection 907-804.03.22.2.3(A) with such overstresses as approved by the Engineer for anchorage relaxation.

Independent references shall be established adjacent to each anchorage to indicate any yielding or slippage that may occur between the time of initial stressing and final release of the strands.

Straight tendons/bars may be tensioned from one end. Unless otherwise specified, curved tendons shall be stressed by jacking from both ends of the tendons.

**(D) Combined Method.** In the event that girders are manufactured with part of the reinforcement pretensioned and part posttensioned, the applicable portions of the requirements listed herein shall apply to each type.

**907-804.03.22.3--Manufacture.**

**907-804.03.22.3.1--Forms.** The forms used for precast-prestressed bridge members shall meet the requirements of Division II of the PCI Quality Control Manual, 4<sup>th</sup> Edition.

**907-804.03.22.3.2--Placing and Fastening Steel.** Placing and fastening of all steel used for precast-prestressed bridge members shall meet the requirements of Division V of the PCI Quality Control Manual, 4<sup>th</sup> Edition.

**907-804.03.22.3.3--Holes for Prestressing Tendons/Bars.** Holes provided in girders for prestressing tendons/bars shall be formed by means of inflatable rubber tubing, flexible metal conduit, metal tubing, or other approved means.

**907-804.03.22.4--Placing and Curing Concrete.**

**907-804.03.22.4.1--Placing.** The placing of concrete shall meet the applicable requirements of Division III of PCI Quality Control Manual, 4<sup>th</sup> Edition.

**907-804.03.22.4.2--Curing.** Initial and accelerated curing of all members shall meet the applicable requirements of Division IV of PCI Quality Control Manual, 4<sup>th</sup> Edition except for the following listed requirements.

The source of heat for accelerated cure shall be steam. Calibrated thermocouples shall be implanted into the concrete members to monitor areas expected to have maximum and minimum heat. Curing methods and procedures listed in the prestress producer's PCI Quality System Manual shall be approved by the Department before their implementation.

**907-804.03.22.4.3--Removal of Side Forms.** Side forms may be removed after the concrete has attained sufficient strength to maintain a true section. In order to obtain "sufficient strength", it may be necessary to cure members for 12 hours or more as prescribed in Subsection 907-804.03.22.4.2, or to attain a minimum compressive strength of 1000 psi.

If high-early-strength concrete is obtained by use of low slump (0 to 1.5-inch) concrete, vacuum process, or other approved methods, side forms may be removed earlier; however, approval of the methods and revision from normal schedules will be made only after inspections by the District Materials Engineer and Materials Division have determined that satisfactory results will be attained by the methods and schedules proposed.

**907-804.03.22.4.4--Grouting.** The holes through posttensioned members in which the tendons are installed shall be equipped with approved grouting vents. All prestressing tendons to be bonded shall be free of dirt, loose rust, grease, or other deleterious substances. Before grouting,



the ducts shall be free of water, dirt, and other foreign substances. The ducts shall be blown out with compressed air until no water comes through the ducts. For long members with draped tendons an open tap at low points may be necessary. After completion of stressing, the annular space between sides of tendon and sides of hole shall be grouted as set in the following paragraphs.

With the grouting vent open at one end of the core hole, grout shall be applied continuously under moderate pressure at the other end until all entrapped air is forced out through the open grout vent, as evidenced by a steady stream of grout at the vent. Whereupon, the open vent shall be closed under pressure. The grouting pressure shall be gradually increased to a refusal of at least 75 psi and held at this pressure for approximately 10 seconds, and the vent shall then be closed under this pressure.

Portland cement grout shall consist of a mixture of:

- 1 part Type 1 portland cement
- 1/4 part fly ash
- 3/4 part washed sand \*
- 4 to 6 gallons of water per bag of cement.

\* all passing No. 16 sieve and not more than 5% retained on No. 30

Water-reducing admixtures, subject to approval by the Engineer, shall be used in accordance with the manufacturer's recommendations.

The grout shall be mixed in a mechanical mixer, shall have the consistency of heavy paint, and shall be kept agitated until placed.

Members shall not be moved before the grout has set, ordinarily at least 24 hours at 80°F or higher.

**907-804.03.22.5--Finishing and Marking.** Units shall be given a Class 1 finish at the plant and shall be given a Class 2 finish after erection when required.

Recesses in girders at end of diaphragm bars, holes left by form ties, and other surface irregularities shall be carefully cleaned and patched with an approved non-shrink commercial grout or a non-shrinkage mortar of the following composition:

- 1 part Type 1 portland cement
- 1 1/2 to 2 parts fine sand
- 1/2 to 3/4 ounces aluminum powder per bag of cement
- Approved admixture per Subsection 713.02.
- Sufficient water to produce a workable but rather stiff mix.

The units shall be clearly marked in accordance with Department's *Materials Division Inspection, Certification and Testing Manual*.

**907-804.03.22.6--Handling, Storage, and Installation.** Posttensioned members may be handled immediately after completion of stressing and grout has set. Pretensioned members may be handled immediately after release of tensioning. In either case, the members shall have developed a minimum compressive strength of 4000 psi prior to handling. In the event stressing is not done in a continuous operation, members shall not be handled before they are sufficiently stressed, as determined by the Engineer, to sustain all forces and bending moments due to handling. In the handling, storage, and transporting of beams or girders, they shall be maintained in an upright position (position as cast) at all times and shall be picked up from points within distance from beam ends equal to beam depth or at pick-up points designated on the plans. Disregard of this requirement and dropping of units may be cause for rejection, whether or not injury to the unit is apparent. Piles shall be picked up and loaded for shipment at points shown by the suspension diagram on the plans. Extreme care shall be used in handling and storing piles to prevent damage. The dropping of a pile may be cause for rejection of same, whether or not there is apparent injury to the member.

Care shall be exercised during the storage, hoisting, and handling of precast units to prevent damage. Damaged units shall be replaced by the Contractor at no additional costs to the State.

When members are stacked for storage, each layer shall be supported at or near the pick-up points. Supports shall be carefully placed in a vertical line in order that the weight of any member will not stress an underlying member. To prevent damage in moving members it is suggested that rigid supports be covered with a cushion of wood or other resilient material.

Members shall not be transported until at least one day after the concrete has reached a compressive strength of 5000 psi or greater strength when shown on the plans.

Piles used in salt water shall not be driven until concrete is seven days old, and air-entrained concrete shall be used in such piles.

After prestressed concrete voided slab units are set, doweled and bolted in their final position the keyways and dowel holes shall be filled with an approved non-shrink grout. Traffic shall not be permitted on the spans for 24 hours after grouting, and heavy construction equipment exceeding 15 tons will not be permitted on the spans for a period of 72 hours after grouting.

Adjacent slab units that mismatch more than one-fourth inch shall be adjusted prior to grouting of the shear keys. The maximum deviation from cross-section and grade (exclusive of camber) at any point shall not exceed one-fourth inch; and when the surface is checked with a ten-foot straightedge applied both parallel and perpendicular to the centerline, the variance shall not exceed one-fourth inch.

In addition to the requirements set out in this section, the applicable requirements of Section 803 shall apply.

**907-804.03.22.7--Tolerances for Accepting Precast Prestressed Concrete.** Member shall meet the dimension tolerances set by Division VII of PCI Quality Control Manual, 4<sup>th</sup> Edition.

**907-804.03.22.8--Testing of Materials.** Concrete and aggregate testing shall meet the requirements of Division VI of PCI Quality Control Manual, 4<sup>th</sup> Edition, except that the concrete mixture design shall meet the requirements of Subsection 907-804.02.10. Also, in addition to concrete compressive tests samples made for detensioning and 28-day strength, test samples shall be made and tested in order to prove compliance to the requirements of Subsection 907-804.03.22.6 for handling and shipping prestressed members. Compressive strength test cylinders for detensioning, handling and shipping shall receive the same type curing as the prestressed members for which they represent. Compressive strength samples shall be made each day for each prestress casting bed.

**907-804.03.22.9--Testing Personnel.** Technicians testing portland cement concrete used in the production of precast-prestressed members shall be PCI Quality Control Technician/Inspector Certified. Each producer of precast-prestressed members shall have at least one PCI Level II certified technician on site during production for Department projects.

**907-804.03.22.10--Documentation.** The Precast-Prestressed Producer for each precast-prestressed concrete bridge member shall maintain documentation as set forth in the Department's *Materials Division Inspection, Certification and Testing Manual*. Testing and inspection record forms shall be approved by the Central Laboratory and as a minimum contain information listed in Division VI of PCI Quality Control Manual, 4<sup>th</sup> Edition.

**907-804.03.22.11--Use in the Work.** Before any precast-prestressed member is incorporated into the work, documentation as described in Subsection 907-804.03.22.10 is required along with visual inspection of the member at the bridge construction site. Project Office personnel as per the Department's *Materials Division Inspection, Certification and Testing Manual* will make visual inspection of the precast-prestressed member at the bridge construction site.

**907-804.04--Method of Measurement.** Concrete, complete and accepted, will be measured in cubic yards. The concrete volume will be computed from the neat dimensions shown on the plans, except for such variations as may be ordered in writing by the Engineer. The quantity of concrete involved in fillets, scorings, and chamfers one square inch or less in cross-sectional area will be neglected. Deductions shall be made for the following:

- (1) The volume of structural steel, including steel piling encased in concrete.
- (2) The volume of timber piles encased in concrete, assuming the volume to be 0.80 cubic foot per linear foot of pile.
- (3) The volume of concrete piles encased in concrete.

No deduction will be made for the volume of concrete displaced by steel reinforcement, floor drains, or expansion joint material that is one inch or less in width normal to the centerline of the joint. Where railing is bid as a separate item, that portion of the railing above the top of the curb, above the surface of the sidewalk, or above the bridge roadway, as the case may be, will not be included in the measurement of concrete, but will be measured as railing. Massive pylons or posts which are to be excepted from payment for railing and are intended to be measured for as concrete will be so noted on the plans.

When shown on the plans or directed by the Engineer, concrete placed as a seal for cofferdams will be measured by the cubic yard actually in place, except that no measurement will be made of seal concrete placed outside of an area bounded by vertical planes 18 inches outside the neat lines of the footing as shown on the plans or as directed and parallel thereto.

Reinforcing steel will be measured and paid for in pounds as set out in Section 805.

Unless otherwise specified, structural steel will be measured and paid for as set out in Section 810.

Excavation for bridges will be measured and paid for as in Section 801.

Piling will be measured and paid for as set out in Sections 802 and 803.

Railing will be measured and paid for as set out in Section 813.

Prestressed concrete beams and plank will be measured by the linear foot.

Prestressed concrete voided slab units, interior and exterior with railing, and precast concrete caps, intermediate and end cap with winged abutment wall, of the size and type specified will be measured by the unit complete in place and accepted. Railing, winged abutment walls, grout, tie rods, nuts, washers, bearing pads and other appurtenances will not be measured for separate payment.

**907-804.05--Basis of Payment.** Concrete will be paid for at the contract unit price per cubic yard for the class or classes specified, complete in place. Prestressed concrete beams and plank will be paid for at the contract unit per linear foot of specified size and type.

Prestressed concrete voided slab units and precast caps will be paid for at the contract unit price per each for the specified types and sizes, complete in place and accepted; which price shall be full compensation for furnishing, hauling and erecting the members; including all prestressing reinforcement and other reinforcement in the members. Payment at the contract unit prices bid shall be full compensation for furnishing all materials, equipment, tools, labor and incidentals necessary to complete the work.

Payment will be made under:

907-804-A: Bridge Concrete, Class \_\_\_\_\_ - per cubic yard

907-804-B: Box Bridge Concrete, Class \_\_\_\_\_ - per cubic yard

907-804-C: Length Prestressed Concrete Beam, Type \_\_\_\_\_ - per linear foot

907-804-D: Length Prestressed Concrete Plank \_\_\_\_\_ - per linear foot

- 907-804-E: Length Prestressed Concrete Voided Slab,  
Size Interior - per each
- 907-804-F: Length Prestressed Concrete Voided Slab,  
Size Exterior - per each
- 907-804-G: Length Precast Concrete Caps, End Unit with Wall - per each
- 907-804-H: Length Precast Concrete Caps, Intermediate Unit - per each

## MISSISSIPPI DEPARTMENT OF TRANSPORTATION

SPECIAL PROVISION NO. 907-899-2

CODE: (SP)

DATE: 01/27/2010

SUBJECT: Railway-Highway Provisions

Section 907-899, Railway-Highway Provisions, is hereby added to and made part of the 2004 Edition of the Mississippi Standard Specifications for Road and Bridge Construction as follows:

### **SECTION 907-899--RAILWAY-HIGHWAY PROVISIONS**

**907-899.01--Description.** This special provision addresses the Contractor's involvement with railroad flagging, Contractor Safety Orientation, Contractor Background Investigation, Contractor Roadway Worker on Track Safety Program and Safety Action Plan, and any other requirements set forth by the Railroad and any attached Exhibits.

Prior to bidding, the Contractor shall read and comply with the requirements of the Railroad and any attached Exhibits. The Contractor shall contact the Railroad concerning insurance coverage requirements, Railroad flagging costs, Contractor Safety Orientation, Contractor Background Investigation, Contractor Roadway Worker on Track Safety Program and Safety Action Plan, and any other requirements set forth by the Railroad and any attached Exhibits. In case the railroad requires coverage over and above that required by the Standard Specifications, the railroad requirements shall be met.

If in the opinion of the RAILROAD, the presence of an authorized representative of the RAILROAD is required to supervise the same, the RAILROAD shall render bills to the Contractor for all expenses incurred by it for such supervision. This includes all labor costs for flagmen or cable locate supplied by the RAILROAD to protect RAILROAD operation, and for the full cost of furnishing, installation and later removal of any temporary supports for said tracks, as the RAILROAD's Chief Engineer's Office may deem necessary.

**It will be the Contractor's responsibility to pay all bills associated with the Railroad requirements and any attached Exhibits.**

A cable locate of RAILROAD owned facilities may be required to identify and protect Signal & Communication cables that have been installed to provide power, signal control, wayside communications. These cables are vital to a safe and reliable railway operation. The cable locate will be performed by a qualified RAILROAD employee.

Outside Contractors are prohibited from driving on, along, or across any track that does not have a RAILROAD installed crossing. They may utilize an existing public crossing. The practice of allowing rubber tired equipment to operate over track with no crossing has been banned.

The Contractor shall complete and process any required forms addressed by the Railroad or any attached Exhibits. The Contractor shall not commence or carry on any form of work on, under, above or within the designated distance from the Railroad track prior to getting approval from the Railroad.

**907-899.02--Blank.**

**907-899.03--Construction Requirements.** The Contractor shall read and comply with the requirements of the Railroad and any attached Exhibits.

**907-899.04--Method of Measurement.** Railway-highway provisions will be measured as a unit lump sum quantity.

**907-899.05--Basis of Payment.** Railway-highway provisions, measured as prescribed above, will be paid for at the contract lump sum price, which price shall be payment in full for all insurance coverage requirements, railroad flagging costs, Contractor safety orientation, Contractor background investigation, Contractor safety programs and plans, and any other requirements set forth by the Railroad and any attached Exhibits, and other incidentals necessary to complete the requirements of this work.

Payment will be made under:

907-899-A: Railway-Highway Provisions - lump sum

## SPECIAL PROVISION NO. 906-7

### Training Special Provision

This Training Special Provision supersedes subparagraph 7b of the Special Provision entitled "Specific Equal Employment Opportunity Responsibilities," (Attachment 1), and is in implementation of 23 U.S.C. 140(a). [Additional information regarding On the Job Training \(OJT\), Forms, and Exhibits are available at the following website.](#)

<http://www.gomdot.com/Divisions/CivilRights/Resources.aspx>

As part of the Contractor's equal employment opportunity affirmative action program training shall be provided as follows:

The Contractor shall provide on-the-job training aimed at developing full journeymen in the type of trade or job classification involved.

The number of [trainee hours](#) to be trained under this special provision will be as indicated in the bid schedule of the contract.

In the event that a Contractor subcontracts a portion of the contract work, [the Contractor](#) shall determine how many, if any, of the trainee hours are to be trained by the Subcontractor, provided, however, that the Contractor shall retain the primary responsibility for meeting the training requirements imposed by this special provision. The Contractor shall also insure that this training special provision is made applicable to such subcontract. Where feasible, 25 percent of apprentices or trainees in each occupation shall be in their first year of apprenticeship or training.

The number of trainees shall be distributed among the work classifications on the basis of the Contractor's needs and the availability of journeymen in the various classifications within a reasonable area of recruitment. Prior to commencing construction, the Contractor shall submit to the State [transportation](#) agency for approval [an OJT Trainee Schedule Form indicating](#) the number of trainees to be trained in each selected classification, training program to be used [and start date of training for each classification](#). Furthermore, the Contractor shall [provide a Trainee Enrollment Form](#) for each [trainee enrolled](#). The Contractor will be credited for each trainee employed on the contract work who is currently enrolled or becomes enrolled in an approved program and will be reimbursed for such trainees as provided hereinafter.

Training and upgrading of minorities and women toward journeymen status is a primary objective of this Training Special Provision. Accordingly, the Contractor shall make every effort to enroll minority trainees and women (e.g., by conducting systematic and direct recruitment through public and private sources likely to yield minority and women trainees) to the extent that such persons are available within a reasonable area of recruitment. The Contractor will be responsible for demonstrating the steps that [they](#) take in pursuance thereof, prior to a determination as to whether the Contractor is in compliance with this Training Special Provision. This training commitment is not intended, and shall not be used, to discriminate against any applicant for training, whether a member of a minority group or not.

No employee shall be employed as a trainee in any classification in which [he/she](#) has successfully completed a training course leading to journeyman status or in which [he/she](#) has been employed as a journeyman. The Contractor should satisfy this requirement by including appropriate questions in the employee application or by other suitable means. Regardless of the method used the Contractor's records should document the findings in each case.



The minimum length and type of training for each classification will be as established in the training program selected by the Contractor and approved by the State highway agency and the Federal Highway Administration. The State [transportation](#) agency and the Federal Highway Administration shall approve a program if it is reasonably calculated to meet the equal employment opportunity obligations of the Contractor and to qualify the average trainee for journeyman status in the classification concerned by the end of the training period. Furthermore, apprenticeship programs registered with the U.S. Department of Labor, Bureau of Apprenticeship and Training, or with a State apprenticeship agency recognized by the Bureau and training programs approved but not necessarily sponsored by the U.S. Department of Labor, Manpower Administration, Bureau of Apprenticeship and Training shall also be considered acceptable provided it is being administered in a manner consistent with the equal employment obligations of Federal-aid highway construction contracts. Approval or acceptance of a training program shall be obtained from the State prior to commencing work on the classification covered by the program. It is the intention of these provisions that training is to be provided in the construction crafts rather than clerk-typists or secretarial-type positions. Training is permissible in lower level management positions such as office engineers, estimators, timekeepers, etc., where the training is oriented toward construction applications. Training in the laborer classification may be permitted provided that significant and meaningful training is provided and approved by the division office.

Except as otherwise noted below, the Contractor will be reimbursed [\\$5.00](#) per hour of training given an employee on this contract in accordance with an approved training program. As approved by the engineer, reimbursement will be made for training persons in excess of the number specified herein.

No payment shall be made to the Contractor if failure to provide the required training is caused by the Contractor and evidences a lack of good faith on the part of the Contractor in meeting the requirements of this Training Special Provision. It is normally expected that a trainee will begin training on the project as soon as feasible after start of work utilizing the skill involved and remain on the project as long as training opportunities exist in [the](#) work classification or until [the trainee](#) has completed [the](#) training program. It is not required that all trainees be on board for the entire length of the contract. A Contractor's [responsibility](#) will have [been](#) fulfilled under this Training Special Provision if [the Contractor](#) has provided acceptable training to the number of trainees specified. The number trained shall be determined on the basis of the total number enrolled on the contract for a significant period.

Trainees will be paid at least 60 percent of the appropriate minimum journeyman's rate specified in the contract for the first half of the training period, 75 percent for the third quarter of the training period, and 90 percent for the last quarter of the training period, unless apprentices or trainees in an approved existing program are enrolled as trainees on this project. In that case, the appropriate rates approved by the Departments of Labor or Transportation in connection with the existing program shall apply to all trainees being trained for the same classification who are covered by this Training Special Provision.

The Contractor shall furnish the trainee a copy of the program [being followed](#) in providing the training. The Contractor shall provide each trainee with a certification showing the type and length of training satisfactorily completed.

The Contractor will provide for the maintenance of records and furnish periodic reports [to include an OJT Trainee Monthly Report form and a OJT Trainee Termination Report form when appropriately](#) documenting performance under this Training Special Provision.

### [Contractor's Responsibility](#)

1. Provide On-the-Job Training aimed at developing full journeymen in the type of trade or job classification involved. Accordingly, the Contractor shall make every effort to enroll minority trainees and women (e.g., conducting systematic and direct recruitment through public and private sources likely to yield minority and women trainees) to the extent that such persons are available within a reasonable area of recruitment.
2. Contractors are expected to fulfill their obligations under the Training Special Provisions. Those obligations will be considered fulfilled if Contractors have provided acceptable training to the number of trainees specified in the OJT Plan.
3. Upon deciding to sub-contract out a portion of the contract work, determine how many, if any, of the trainees are to be trained by the sub-Contractor. The Contractor however, shall retain the primary responsibility for meeting the training requirements imposed by the special provision. Additionally, the Contractor will ensure that the Training Special Provision is made applicable to such sub-contract. Training and upgrading of minorities and women toward journeymen status is a primary objective of the Training Special Provision.
4. Prior to commencing construction (no more than 60 days from the date of the Notice to Proceed), the Contractor shall submit to the State Transportation Agency (STA) (MDOT) for approval the Trainee Schedule Form indicating the number of trainees to be trained in each selected classification and any appropriate attachments representing their training program or OJT Plan (*See Exhibit 1*) to be used. The Contractor shall also submit Trainee Enrollment Forms for each trainee to be trained (*See Exhibit 2*). Contractors should submit the above-mentioned forms as their OJT Plan to the Project Engineer who will in turn forward on to the Office of Civil Rights for Approval.
5. Designate and make known at the preconstruction conference to the Office of Civil Rights and the Project Engineer the name of the company **Equal Employment Officer (EEO Officer)/Designated Representative** who will have the responsibility for and must be capable of effectively administering and promoting an active Contractor program of equal employment opportunity and who must be assigned adequate authority and responsibility to do so. These individuals should have the authority to sign monthly trainee enrollment/time reports.
6. **Implement the EEO policy** and contractual responsibilities to provide equal employment opportunity in each grade and classification of employment. To assure that the preceding policy is adhered to, the following actions will be taken as a minimum:
  - a. Periodic meetings of supervisory and personnel office employees will be conducted before the start of work and then not less often than once every six (6) months.
  - b. Ensure that supervisors brief all employees which include trainees on company EEO Policies.
7. Utilize the following procedures to request additional training classifications not presently approved by the STA for assignment to the OJT for training.
  - a. Initially, for a “trainee” to be trained, there must be a “journeyman” on the project site to train the employee. The “trainer” can be a supervisor, foreman or another employee in the “trainee classification” who already is a “journeyman”.

- b. If a classification is not on the "Wage Determination" included in the contract, a written request for an additional classification should be submitted by the Contractor to the Project Engineer.
- c. Preferably, the request (written) should originate in the Project Office so that they will know that the Contractor has applied for the needed classification and that payrolls will not be delayed. The Project Office will ensure that they have been given the project number, Contractor, subcontractor, craft and rate and will submit to the Office of Civil Rights.

For documentation purposes it is recommended to the Contractor that the request for additional classifications should be written and addressed to the Office of Civil Rights that states in concise manner the need for the new classification in lieu of using an existing classification within the OJT Manual. In addition, the training program with required hours and job description similar to the OJT Manual.

- d. After receipt of the Request for Additional Classification, the OJT Coordinator will:
    - 1. Review for preliminary approval and submit a new Trainee Schedule Form to the Contractor for signature.
    - 2. Upon receipt of the signed form from the Project Office/Contractor, a cover letter is attached to the appropriate documentation. The cover letter and documentation are transmitted to Department of Labor (DOL) in Washington D.C. requesting concurrence of the new classification.
  - e. If an individual is hired for the requested classification during the time frame when the STA (OJT Coordinator) is awaiting approval, the individual will be paid at the proposed wage rate.
  - f. If the DOL does not agree with the proposed classification and wage rate, the DOL will make a determination on the appropriate wage rate for the classification. The Labor Compliance Officer will make a copy of the letter and attach a cover letter which cites the recommendation and rationale for the disapproval.
  - g. If the DOL approves the request, a letter will be sent to the STA (OJT Coordinator) citing approval and the accompanying wage rate. The OJT Coordinator will make a copy of the approval letter and attach a cover letter which cites the approval of the classification and wage rate. This letter is sent to the Contractor and all "paper copies" listed at the end of the cover letter.
8. Begin training as soon as possible after the start date indicated on the Trainee Schedule Form for work utilizing the skill involved. In addition, if training does not begin at the preceding time, a written explanation will be given to the Project Engineer citing the rationale and time frame when training will commence on the project. The trainee should be briefed (furnished a copy) at this juncture on the training program for which he/she has started to ensure understanding of the phases of work and wage rates within each section of the program.

9. After commencement of work at the project site, the Contractor shall implement the following **Trainee Wage Rates** according to the Davis Bacon rules.

Normally, trainees are paid a percentage of journeyman's wages (Davis Bacon rates). The following payment plan is required in the FHWA Training Special Provision;

- a. Sixty percent (60%) of the journeyman's wages for the first half of the training period;
  - b. Seventy-five percent (75%) of the journeyman's wages for the third quarter of the training period; and
  - c. Ninety percent (90%) of the journeyman's wages for the last quarter of the training period.
10. Indicate on the payroll records the trainer i.e. roller operator trainer for a given classification.
  11. Recruit a replacement for the trainee when training obligations have not been met on a project provided that there are enough work hours remaining on the project as well as time within the work phase to complete training. Contractors will document in writing all Good Faith Efforts (GFE) in accordance with FHWA Form 1273 Section II 4a- 4e Recruitment and 6a-6d Training and Promotions) (*See Exhibit 9*). The Contractor must submit documentation of GFE i.e. efforts made to hire replacements for trainees who terminated their training program to the Office of Civil Rights. The GFE will be compiled into a letter which is attached to the MDOT Monthly Training Report and submitted to the along a MDOT Termination Report (*See Exhibit 4*) that includes the names/reasons of individuals who separated from the company during the respective reporting period. The GFE will be evaluated to determine if it is sufficient or insufficient. The Project Engineer will forward documentation to the Office of Civil Rights within five (5) days of receipt.
  12. Transferring trainees from one federal-aid project to another.
    - a. Contractors are to make written requests for transferring trainees from one federal-aid project to another federal aid project and submit to the Project Engineer to be forwarded to the Office of Civil Rights for review and approval.
    - b. In addition, if trainees are approved for transfer, the gaining project must have the same training classification approved for that project. The Contractor must provide documentation i.e. written letter that the gaining project will have sufficient work time to complete training requirements.
    - c. All hours trained by employees on a project other than their originally assigned project without the proper transfer approval will not be counted towards the OJT obligation for that project. If the OJT obligation is not met, the prime Contractor will have to show good faith efforts in fulfilling this portion of the contract requirement.
  13. Utilize and submit monthly trainee reports (*See Exhibit 3*) to document training activities to the respective Project Engineer. Monthly training reports should be accurate, concise and include the following items:

- a. Report Period (month) – the date at the top of the training report reflects the month and year the trainee received the training (not the date the report was completed by the Contractor)
  - b. Project Number – project number on the certified payroll and training report should match
  - c. Contractor Name
  - d. County
  - e. Trainee Name
  - f. Job Classification/Hours Required – obtained from OJT Manual - certified payrolls and training reports should match
  - g. Hours required – obtained from OJT Manual should match the Job Classification
  - h. Date Training Started/Terminated – inserted by the Contractor
  - i. Hours trained for the month – training performed this month on federal aid projects and inserted by a respective week ending date i.e. Sunday
  - j. Hours to date – all training annotated on report for previous and current month
  - k. Hours training remaining – subtraction of total training hours to date from training hours required
  - l. Trainee wage rate – Contractor cite the appropriate wage rate for phase of training
  - m. Original signatures and dates for respective training period citing trainee, trainer, and Company EEO Officer/Designated Representative
  - n. Every applicable field on the training report is completed
14. Monthly training reports intended for submission to the MDOT Central Office should cite activities illustrated in the individual training forms received from project personnel. Monthly Training Reports should be submitted to the Project Engineer within fifteen (15) days of the current month with data covering the previous month's activities. However, if monthly training reports are not submitted within this time frame, the Contractor will provide written explanation to the Project Engineer citing the reason for the delay. In addition, a copy of this documentation will be provided to the MDOT Office of Civil Rights within ten (10) days of receipt by the Project Engineer.
  15. Provide the trainee with a certification (*See Exhibit 7*) showing the type and length of training satisfactorily completed.
  16. Retain all EEO records, i.e. employment breakdown by race and craft on a project, recruitment and hiring of minority and females for a period of three (3) years following the completion of contract work and shall be available at reasonable times and places for inspection by authorized representatives of the STA and the FHWA.

17. Submit an annual report to the STA each July for the duration of the project, indicating the number of minority, women, and non-minority group employees currently engaged in each work classification required by the contract work. This information is to be reported on Form PR 1391 (*See Exhibit 8*). Contractors are provided an annual notice for this reporting requirement.
18. Periodically evaluate the effectiveness of their OJT Programs and trainees' progress within the training program. Based on these evaluations, forward comments / recommendations through the Project Engineer to the Office of Civil Rights for improving or correcting deficiencies in the training program.

**S E C T I O N   9 0 5   -   P R O P O S A L**

Date \_\_\_\_\_

Mississippi Transportation Commission  
Jackson, Mississippi

Sirs: The following proposal is made on behalf of \_\_\_\_\_  
\_\_\_\_\_ of \_\_\_\_\_

for constructing the following designated project(s) within the time(s) hereinafter specified.

The plans are composed of drawings and blue prints on file in the offices of the Mississippi Department of Transportation, Jackson, Mississippi.

The Specifications are the current Standard Specifications of the Mississippi Department of Transportation approved by the Federal Highway Administration, except where superseded or amended by the plans, Special Provisions and Notice(s) to Bidders attached hereto and made a part thereof.

I (We) certify that I (we) possess a copy of said Standard and any Supplemental Specifications.

Evidence of my (our) authority to submit the Proposal is hereby furnished. The proposal is made without collusion on the part of any person, firm or corporation. I (We) certify that I (we) have carefully examined the Plans, the Specifications, including the Special Provisions and Notice(s) to Bidders, herein, and have personally examined the site of the work. On the basis of the Specifications, Special Provisions, Notice(s) to Bidders, and Plans, I (we) propose to furnish all necessary machinery, tools, apparatus and other means of construction and do all the work and furnish all the materials in the manner specified. I (We) understand that the quantities mentioned herein are approximate only and are subject to either increase or decrease, and hereby propose to perform any increased or decreased quantities of work at the unit prices bid, in accordance with the above.

Attached hereto is a certified check, cashier's check or Proposal Guaranty Bond in the amount as required in the Advertisement (or, by law).

**INSTRUCTION TO BIDDERS: Alternate and Optional Items on Bid Schedule.**

1. Two or more items entered opposite a single unit quantity WITHOUT DEFINITE DESIGNATION AS "ALTERNATE ITEMS" are considered as "OPTIONAL ITEMS". Bidders may or may not indicate on bids the Optional Item proposed to be furnished or performed WITHOUT PREJUDICE IN REGARD TO IRREGULARITY OF BIDS.
2. Items classified on the bid schedule as "ALTERNATE ITEMS" and/or "ALTERNATE TYPES OF CONSTRUCTION" must be preselected and indicated on bids. However, "Alternate Types of Construction" may include Optional Items to be treated as set out in Paragraph 1, above.
3. Optional items not preselected and indicated on the bid schedule MUST be designated in accordance with Subsection 102.06 prior to or at the time of execution of the contract.
4. Optional and Alternate items designated must be used throughout the project.

I (We) further propose to perform all "force account or extra work" that may be required of me (us) on the basis provided in the Specifications and to give such work my (our) personal attention in order to see that it is economically performed.

I (We) further propose to execute the attached contract agreement (Section 902) as soon as the work is awarded to me (us), and to begin and complete the work within the time limit(s) provided for in the Specifications and Advertisement. I (We) also propose to execute the attached contract bond (Section 903) in an amount not less than one hundred (100) percent of the total of my (our) part, but also to guarantee the excellence of both workmanship and materials until the work is finally accepted.

I (We) enclose a certified check, cashier's check or bid bond for **five percent (5%) of total bid** and hereby agree that in case of my (our) failure to execute the contract and furnish bond within Ten (10) days after notice of award, the amount of this check (bid bond) will be forfeited to the State of Mississippi as liquidated damages arising out of my (our) failure to execute the contract as proposed. It is understood that in case I am (we are) not awarded the work, the check will be returned as provided in the Specifications.

**SECTION 905 -- PROPOSAL (CONTINUED)**

I (We) hereby certify by execution of the Section 905 proposal below, that all certifications, disclosures and affidavits incorporated herein are deemed to be duly executed in the aggregate, fully enforceable and binding upon delivery of the bid proposal. I (We) further acknowledge that this certification shall not extend to the bid bond or alternate security which must be separately executed for the benefit of the Commission. This signature does not cure deficiencies in any required certifications, disclosures and/or affidavits. I (We) also acknowledge the right of the Commission to require full and final execution on any certification, disclosure or affidavit contained in the proposal at the Commission's election upon award. Failure to so execute at the Commission's request within the time allowed in the Standard Specifications for execution of all contract documents will result in forfeiture of the bid bond or alternate security.

Respectfully Submitted,

DATE \_\_\_\_\_

\_\_\_\_\_  
Contractor

BY \_\_\_\_\_  
Signature

TITLE \_\_\_\_\_

ADDRESS \_\_\_\_\_

CITY, STATE, ZIP \_\_\_\_\_

PHONE \_\_\_\_\_

FAX \_\_\_\_\_

E-MAIL \_\_\_\_\_

(To be filled in if a corporation)

Our corporation is chartered under the Laws of the State of \_\_\_\_\_ and the names, titles and business addresses of the executives are as follows:

\_\_\_\_\_  
President Address

\_\_\_\_\_  
Secretary Address

\_\_\_\_\_  
Treasurer Address

The following is my (our) itemized proposal.



Installation of Fiber Optic Cable, Signal Controller, and Software, known as Federal Aid Project No. CM-0017-00(041) / 106852301 in Desoto County.

Line No.	Item Code	Adj Code	Quantity	Units	Description [Fixed Unit Price]
Base Bid Items					
0010	201-A001		1	Lump Sum	Clearing and Grubbing
0020	202-B090		2	Each	Removal of Terminal End Section
0030	202-B247		22	Each	Removal of Pull Box
0040	203-EX018	(E)	447	Cubic Yard	Borrow Excavation, AH, LVM, Class B9
0050	219-A001		63	Thousand Gallon	Watering [\$20.00]
0060	234-A001		4,320	Linear Feet	Temporary Silt Fence
0070	602-A001	(S)	93	Pounds	Reinforcing Steel
0080	606-B001		1,441	Linear Feet	Guard Rail, Class A, Type 1
0090	606-C003		3	Each	Guard Rail, Cable Anchor, Type 1
0100	606-E003		5	Each	Guard Rail, Terminal End Section, Non-Flared
0110	619-D1001		352	Square Feet	Standard Roadside Construction Signs, Less than 10 Square Feet
0120	619-D2001		1,150	Square Feet	Standard Roadside Construction Signs, 10 Square Feet or More
0130	619-G4001		1,044	Linear Feet	Barricades, Type III, Single Faced
0140	619-G7001		44	Each	Warning Lights, Type "B"
0150	620-A001		1	Lump Sum	Mobilization
0160	630-B001		228	Square Feet	Interstate Directional Signs, Bolted Extruded Aluminum Panels, Grou Mounted
0170	630-D005		140	Linear Feet	Structural Steel Beams, W6 x 15
0180	630-E002		135	Pounds	Structural Steel Angles & Bars, 3 1/2" x 3 1/2" x 1/4" Angles
0190	630-F001		43	Each	Delineators, Guard Rail, White
0200	647-A003		159	Each	Pullbox, Type 4
0210	647-A004		187	Each	Pullbox, Type 5
0220	647-A005		157	Each	Pullbox, Type 2
0230	666-B028		7,620	Linear Feet	Electric Cable, Underground in Conduit, THHN, AWG #6, 3 Conduct
0240	666-B038		9,205	Linear Feet	Electric Cable, Underground in Conduit, THHN, AWG #4, 3 Conduct
0250	666-B042		4,970	Linear Feet	Electric Cable, Underground in Conduit, THHN, AWG #1, 4 Conduct
0260	666-B046		1,915	Linear Feet	Electric Cable, Underground in Conduit, THHN, AWG #4, 4 Conduct
0270	666-B052		2,160	Linear Feet	Electric Cable, Underground in Conduit, THHN, AWG #6, 4 Conduct
0280	666-B058		2,800	Linear Feet	Electric Cable, Underground in Conduit, THHN, AWG #1, 3 Conduct
0290	907-216-A001		3,170	Square Yard	Solid Sodding
0300	907-225-A001		8	Acre	Grassing
0310	907-225-B001		26	Ton	Agricultural Limestone
0320	907-225-C001		16	Ton	Mulch, Vegetative Mulch

Line No.	Item Code	Adj Code	Quantity	Units	Description [Fixed Unit Price]
0330	907-237-A002		3,456	Linear Feet	Wattles, 12"
0340	907-246-A002		864	Each	Sandbags
0350	907-403-A017	(BA1)	54	Ton	9.5-mm, ST, Asphalt Pavement
0360	907-403-A018	(BA1)	143	Ton	12.5-mm, ST, Asphalt Pavement
0370	907-407-A001	(A2)	134	Gallon	Asphalt for Tack Coat
0380	907-601-A001	(S)	3	Cubic Yard	Class "B" Structural Concrete
0390	907-618-A001		1	Lump Sum	Maintenance of Traffic
0400	907-630-I001		1	Lump Sum	Metal Overhead Sign Supports, Assembly No. 1, Contractor Designe
0410	907-630-I002		1	Lump Sum	Metal Overhead Sign Supports, Assembly No. 2, Contractor Designe
0420	907-630-I003		1	Lump Sum	Metal Overhead Sign Supports, Assembly No. 3, Contractor Designe
0430	907-630-I004		1	Lump Sum	Metal Overhead Sign Supports, Assembly No. 4, Contractor Designe
0440	907-630-M003		1	Lump Sum	Pedestal Sign Support, Assembly No 5, Contractor Designed
0450	907-630-O003		1	Each	Remove and Reset Sign, All Sizes
0460	907-630-Q004		1	Lump Sum	Post Sign Support, Assembly No. 8, Contractor Designed
0470	907-630-Q005		1	Lump Sum	Post Sign Support, Assembly No. 6, Contractor Designed
0480	907-630-Q006		1	Lump Sum	Post Sign Support, Assembly No. 7, Contractor Designed
0490	907-630-Q007		1	Lump Sum	Post Sign Support, Assembly No. 9, Contractor Designed
0500	907-637-A001		52	Each	Equipment Cabinet, Type B
0510	907-637-A002		3	Each	Equipment Cabinet, Type C
0520	907-637-B001		64	Each	ITS Equipment Cabinet Modifications
0530	907-639-B001		18	Each	Traffic Signal Equipment Pole Shaft Extension, 10-foot, Video Camera Mount
0540	907-639-B002		1	Each	Traffic Signal Equipment Lateral Ext., video camera mount
0550	907-639-E001		26	Each	Camera Pole with Foundation, 50' Pole
0560	907-639-E006		1	Each	Camera Pole with Foundation, 80' Pole
0570	907-639-F001		24	Each	Detector Pole with Foundation, 35' Pole
0580	907-642-B002		52	Each	Solid State Traffic Actuated Controller Modification, Per Plans
0590	907-648-D002		18	Each	Radio Interconnect, Broadband, Short Range
0600	907-650-A002		104	Each	On Street Video Equipment, Fixed Type
0610	907-650-A003		44	Each	On Street Video Equipment, PTZ Type
0620	907-656-A001		4	Each	Dynamic Message Sign, Type 1
0630	907-656-A002		1	Each	Dynamic Message Sign, Type 2
0640	907-656-A004		4	Each	Dynamic Message Sign, Type 3
0650	907-657-A001		273,930	Linear Feet	Fiber Optic Cable, 72 SM

Line No.	Item Code	Adj Code	Quantity	Units	Description [Fixed Unit Price]
0660	907-657-B001		31,640	Linear Feet	Fiber Optic Drop Cable, 12 SM
0670	907-658-A005		116	Each	Network Switch, Type A
0680	907-658-A006		16	Each	Network Switch, Type B
0690	907-658-A007		1	Each	Network Switch, Type C
0700	907-658-A009		2	Each	Network Switch, Type E
0710	907-658-B001		37	Each	Terminal Server
0720	907-658-C001		6,765	Linear Feet	Category 6 Cable, Installed in Conduit
0730	907-658-D001		3	Each	Cellular Modem
0740	907-659-A001		1	Lump Sum	Traffic Management Center Modifications
0750	907-659-C001		1	Lump Sum	Traffic Management Center Modifications - Training
0760	907-660-A001		2	Each	OTN Node
0770	907-660-B001		1	Each	OTN Node Communications Hut
0780	907-660-C001		1	Lump Sum	OTN Node Training
0790	907-661-D001		2	Each	Rest Area Video Kiosk
0800	907-662-A002		16	Each	Video Encoder
0810	907-663-A001		1	Lump Sum	Central Management Signal Control Software
0820	907-666-F001		3	Each	Ground Mounted Transformer Enclosure
0830	907-666-F002		16	Each	Ground Mounted Meter Enclosure
0840	907-668-E001		7,685	Linear Feet	Traffic Signal Conduit Bank, Underground, Rolled Pipe, 2"
0850	907-668-E002		101,250	Linear Feet	Traffic Signal Conduit Bank, Underground, Rolled Pipe, 2 @ 2"
0860	907-668-E003		12,615	Linear Feet	Traffic Signal Conduit Bank, Underground, Rolled Pipe, 3 @ 2"
0870	907-668-E004		520	Linear Feet	Traffic Signal Conduit Bank, Underground, Rolled Pipe, 4 @ 2"
0880	907-668-F001		10,275	Linear Feet	Traffic Signal Conduit Bank, Underground, Drilled or Jacked,Rolled F 2"
0890	907-668-F002		58,045	Linear Feet	Traffic Signal Conduit Bank, Underground, Drilled or Jacked,Rolled F @ 2"
0900	907-668-F003		4,200	Linear Feet	Traffic Signal Conduit Bank, Underground, Drilled or Jacked,Rolled F @ 2"
0910	907-668-G002		310	Linear Feet	Traffic Signal Conduit Bank, Aerial Supported, Type I, 2 @ 2"
0920	907-670-A001		41	Each	ITS Radar Detection System
0930	907-674-A001		3	Each	Travel Time Sign
0940	907-674-B001		1	Lump Sum	Travel Time Sign Training
0950	907-697-A001		44	Each	Bluetooth Detection System, Type A
0960	907-697-C001		44	Each	Bluetooth Detection System Server Licensing
0970	907-699-A002		1	Lump Sum	Roadway Construction Stakes
0980	907-899-A001		1	Lump Sum	Railway-Highway Provisions

Line No.	Item Code	Adj Code	Quantity	Units	Description [Fixed Unit Price]
0990	907-906001		520	Hours	Trainees [\$5.00]
			ALTERNATE GROUP AA NUMBER 1-Base Bid		
1000	907-304-F003	(GT)	304	Ton	3/4" and Down Crushed Stone Base
			ALTERNATE GROUP AA NUMBER 2-Base Bid		
1010	907-304-F004	(GT)	304	Ton	Size 825B Crushed Stone Base
			ALTERNATE GROUP AA NUMBER 3-Base Bid		
1020	907-304-F002	(GT)	304	Ton	Size 610 Crushed Stone Base
			Add Option 1 Items		
1030	203-EX018	(E)	78	Cubic Yard	Borrow Excavation, AH, LVM, Class B9
1040	234-A001		150	Linear Feet	Temporary Silt Fence
1050	606-B001		235	Linear Feet	Guard Rail, Class A, Type 1
1060	606-C003		1	Each	Guard Rail, Cable Anchor, Type 1
1070	606-E003		1	Each	Guard Rail, Terminal End Section, Non-Flared
1080	619-D1001		24	Square Feet	Standard Roadside Construction Signs, Less than 10 Square Feet
1090	619-D2001		36	Square Feet	Standard Roadside Construction Signs, 10 Square Feet or More
1100	619-G4001		60	Linear Feet	Barricades, Type III, Single Faced
1110	619-G7001		3	Each	Warning Lights, Type "B"
1120	620-A001		1	Lump Sum	Mobilization
1130	630-F001		7	Each	Delineators, Guard Rail, White
1140	647-A003		9	Each	Pullbox, Type 4
1150	647-A004		10	Each	Pullbox, Type 5
1160	647-A005		5	Each	Pullbox, Type 2
1170	666-B046		665	Linear Feet	Electric Cable, Underground in Conduit, THHN, AWG #4, 4 Conduct
1180	666-B058		1,225	Linear Feet	Electric Cable, Underground in Conduit, THHN, AWG #1, 3 Conduct
1190	907-225-A001		1	Acre	Grassing
1200	907-225-B001		1	Ton	Agricultural Limestone
1210	907-225-C001		1	Ton	Mulch, Vegetative Mulch
1220	907-237-A002		120	Linear Feet	Wattles, 12"
1230	907-246-A002		30	Each	Sandbags
1240	907-403-A017	(BA1)	10	Ton	9.5-mm, ST, Asphalt Pavement
1250	907-403-A018	(BA1)	25	Ton	12.5-mm, ST, Asphalt Pavement
1260	907-407-A001	(A2)	24	Gallon	Asphalt for Tack Coat
1270	907-618-A001		1	Lump Sum	Maintenance of Traffic
1280	907-630-M015		1	Lump Sum	Pedestal Sign Support, Assembly No 10, Contractor Designed

Line No.	Item Code	Adj Code	Quantity	Units	Description [Fixed Unit Price]
1290	907-637-A001		1	Each	Equipment Cabinet, Type B
1300	907-639-E001		1	Each	Camera Pole with Foundation, 50' Pole
1310	907-650-A002		2	Each	On Street Video Equipment, Fixed Type
1320	907-650-A003		1	Each	On Street Video Equipment, PTZ Type
1330	907-656-A002		1	Each	Dynamic Message Sign, Type 2
1340	907-657-A001		13,250	Linear Feet	Fiber Optic Cable, 72 SM
1350	907-657-B001		30	Linear Feet	Fiber Optic Drop Cable, 12 SM
1360	907-658-A005		1	Each	Network Switch, Type A
1370	907-658-A006		1	Each	Network Switch, Type B
1380	907-658-B001		1	Each	Terminal Server
1390	907-659-A001		1	Lump Sum	Traffic Management Center Modifications
1400	907-659-C001		1	Lump Sum	Traffic Management Center Modifications - Training
1410	907-666-F002		1	Each	Ground Mounted Meter Enclosure
1420	907-668-E002		11,145	Linear Feet	Traffic Signal Conduit Bank, Underground, Rolled Pipe, 2 @ 2"
1430	907-668-E003		1,120	Linear Feet	Traffic Signal Conduit Bank, Underground, Rolled Pipe, 3 @ 2"
1440	907-668-F001		200	Linear Feet	Traffic Signal Conduit Bank, Underground, Drilled or Jacked, Rolled F 2"
1450	907-668-F002		765	Linear Feet	Traffic Signal Conduit Bank, Underground, Drilled or Jacked, Rolled F @ 2"
1460	907-670-A001		1	Each	ITS Radar Detection System
1470	907-697-A001		1	Each	Bluetooth Detection System, Type A
1480	907-697-C001		1	Each	Bluetooth Detection System Server Licensing
ALTERNATE GROUP AA NUMBER 1-Add Option 1					
1490	907-304-F003	(GT)	43	Ton	3/4" and Down Crushed Stone Base
ALTERNATE GROUP AA NUMBER 2 - Add Option 1					
1500	907-304-F004	(GT)	43	Ton	Size 825B Crushed Stone Base
ALTERNATE GROUP AA NUMBER 3 - Add Option 1					
1510	907-304-F002	(GT)	43	Ton	Size 610 Crushed Stone Base
Add Option 2 Items					
1520	234-A001		60	Linear Feet	Temporary Silt Fence
1530	620-A001		1	Lump Sum	Mobilization
1540	647-A003		1	Each	Pullbox, Type 4
1550	647-A005		2	Each	Pullbox, Type 2
1560	666-B052		15	Linear Feet	Electric Cable, Underground in Conduit, THHN, AWG #6, 4 Conduct
1570	907-237-A002		48	Linear Feet	Wattles, 12"
1580	907-246-A002		12	Each	Sandbags

Line No.	Item Code	Adj Code	Quantity	Units	Description [Fixed Unit Price]
1590	907-618-A001		1	Lump Sum	Maintenance of Traffic
1600	907-630-Q008		1	Lump Sum	Post Sign Support, Assembly No. 11, Contractor Designed
1610	907-656-A004		1	Each	Dynamic Message Sign, Type 3
1620	907-657-B001		15	Linear Feet	Fiber Optic Drop Cable, 12 SM
1630	907-658-A005		1	Each	Network Switch, Type A
1640	907-659-A001		1	Lump Sum	Traffic Management Center Modifications
1650	907-659-C001		1	Lump Sum	Traffic Management Center Modifications - Training
1660	907-666-F002		1	Each	Ground Mounted Meter Enclosure
1670	907-668-E002		-100	Linear Feet	Traffic Signal Conduit Bank, Underground, Rolled Pipe, 2 @ 2"
1680	907-668-E003		100	Linear Feet	Traffic Signal Conduit Bank, Underground, Rolled Pipe, 3 @ 2"

SECTION 905 - COMBINATION BID PROPOSAL (Continued)

**CONDITIONS FOR COMBINATION BID**

If a bidder elects to submit a combined bid for two or more of the contracts listed for this month's letting, the bidder must complete and execute these sheets of the proposal in each of the individual proposals to constitute a combination bid. In addition to this requirement, each individual contract shall be completed, executed and submitted in the usual specified manner.

Failure to execute this Combination Bid Proposal in each of the contracts combined will be just cause for each proposal to be received and evaluated as a separate bid.

It is understood that the Mississippi Transportation Commission not only reserves the right to reject any and all proposals, but also the right to award contracts upon the basis of lowest separate bids or combination bids most advantageous to the State.

It is further understood and agreed that the Combination Bid Proposal is for comparison of bids only and that each contract shall operate in every respect as a separate contract in accordance with its proposal and contract documents.

I (We) agree to complete each contract on or before its specified completion date.

\*\*\*\*\*

**COMBINATION BID PROPOSAL**

This proposal is tendered as one part of a Combination Bid Proposal utilizing option \_\_\_\* of Subsection 102.11 on the following contracts:

\* Option to be shown as either (a), (b), or (c).

	<u>Project No.</u>	<u>County</u>	<u>Project No.</u>	<u>County</u>
1.	_____	_____	6.	_____
2.	_____	_____	7.	_____
3.	_____	_____	8.	_____
4.	_____	_____	9.	_____
5.	_____	_____	10.	_____

(a) If Combination A has been selected, your Combination Bid is complete.

(b) If Combination B has been selected, then complete the following page.

SECTION 905 - COMBINATION BID PROPOSAL (Continued)

Project Number	Pay Item Number	Unit	Unit Price Reduction	Total Item Reduction	Total Contract Reduction
1. _____	_____ _____ _____	_____ _____ _____	_____ _____ _____	_____ _____ _____	_____
2. _____	_____ _____ _____	_____ _____ _____	_____ _____ _____	_____ _____ _____	_____
3. _____	_____ _____ _____	_____ _____ _____	_____ _____ _____	_____ _____ _____	_____
4. _____	_____ _____ _____	_____ _____ _____	_____ _____ _____	_____ _____ _____	_____
5. _____	_____ _____ _____	_____ _____ _____	_____ _____ _____	_____ _____ _____	_____
6. _____	_____ _____ _____	_____ _____ _____	_____ _____ _____	_____ _____ _____	_____
7. _____	_____ _____ _____	_____ _____ _____	_____ _____ _____	_____ _____ _____	_____
8. _____	_____ _____ _____	_____ _____ _____	_____ _____ _____	_____ _____ _____	_____



SECTION 905 - COMBINATION BID PROPOSAL (Continued)

Project Number	Pay Item Number	Unit	Unit Price Reduction	Total Item Reduction	Total Contract Reduction
9. _____	_____ _____	_____ _____	_____ _____	_____ _____	
10. _____	_____ _____	_____ _____	_____ _____	_____ _____	

(c) If Combination C has been selected, then initial and complete ONE of the following.

\_\_\_\_\_ I (We) desire to be awarded work not to exceed a total monetary value of \$ \_\_\_\_\_.

\_\_\_\_\_ I (We) desire to be awarded work not to exceed \_\_\_\_\_ number of contracts.

**Certification with regard to the Performance of Previous  
Contracts or Subcontracts subject to the Equal Opportunity  
Clause and the filing of Required Reports**

The Bidder hereby certifies that he has \_\_\_\_\_, has not \_\_\_\_\_, participated in a previous contract or subcontract subject to the Equal Opportunity Clause, as required by Executive Orders 10925, 11114, or 11246, and that he has \_\_\_\_\_, has not \_\_\_\_\_, filed with the Joint Reporting Committee, the Director of the Office of Federal Contract Compliance, a Federal Government contracting or administering agency, or the former President's Committee on Equal Employment Opportunity, all reports due under the applicable filing requirements.

---

(COMPANY)

DATE: \_\_\_\_\_

NOTE: The above certification is required by the Equal Employment Opportunity Regulations of the Secretary of Labor (41 CFR 60-1.7 (b) (1)), and must be submitted by bidders and proposed subcontractors only in connection with contracts and subcontracts which are subject to the Equal Opportunity Clause. Contracts and Subcontracts which are exempt from the Equal Opportunity Clause are set forth in 41 CFR 60-1.5. (Generally only contracts or subcontracts of \$10,000 or under are exempt.)

Currently, Standard Form 100 (EEO-1) is the only report required by the Executive Orders or their implementing regulations.

Proposed prime Contractors and Subcontractors who have participated in a previous contract or subcontract subject to the Executive orders and have not filed the required reports should note that 41 CFR 60-1.7 (b) (1) prevents the award of contracts and subcontracts unless such Contractors submit a report covering the delinquent period or such other period specified by the Federal Highway Administration or by the Director, Office of Federal Contract Compliance, U. S. Department of Labor.

MISSISSIPPI DEPARTMENT OF TRANSPORTATION

CERTIFICATION
(Execute in duplicate)

I, \_\_\_\_\_,
(Name of person submitting certification)

individually, and in my capacity as \_\_\_\_\_ of
(Title)

\_\_\_\_\_ do hereby certify under
(Name of Firm, Partnership, or Corporation)

penalty of perjury under the laws of the United States and the State of Mississippi that \_\_\_\_\_

\_\_\_\_\_, Bidder
(Name of Firm, Partnership, or Corporation)

on Project No. CM-0017-00(041) / 106852301

in Desoto County(ies), Mississippi, has not either

directly or indirectly entered into any agreement, participated in any collusion; or otherwise taken any action in restraint of free competitive bidding in connection with this contract; nor have any of its corporate officers or principal owners.

Except as noted hereafter, it is further certified that said legal entity and its corporate officers, principal owners, managers, auditors and others in a position of administering federal funds:

- a) Are not presently debarred, suspended, proposed for debarment, declared ineligible, or voluntarily excluded from covered transactions by any Federal department or agency;
b) Have not within a three-year period preceding this proposal been convicted of or had a civil judgment rendered against them for commission of fraud or a criminal offense in connection with obtaining, attempting to obtain, or performing a public (Federal, State or local) transaction or contract under a public transaction; violation of Federal or State antitrust statutes or commission of embezzlement, theft, forgery, bribery, falsification or destruction of records, making false statements, or receiving stolen property;
c) Are not presently indicted for or otherwise criminally or civilly charged by a governmental entity (Federal, State or local) with commission of any of the offenses enumerated in (b) above; and
d) Have not within a three-year period preceding this application/ proposal had one or more public transactions (Federal, State or local) terminated for cause or default.

Initial here \_\_\_\_\_ if exceptions are attached and made a part thereof. Any exceptions shall address to whom it applies, initiating agency and dates of such action.

Note: Exceptions will not necessarily result in denial of award but will be considered in determining bidder responsibility. Providing false information may result in criminal prosecution or administrative sanctions.

The bidder further certifies that the certification requirements contained in Section XI of Form FHWA 1273, will be or have been included in all subcontracts, material supply agreements, purchase orders, etc. except those procurement contracts for goods or services that are expected to be less than the Federal procurement small purchase threshold fixed at 10 U.S.C. 2304(g) and 41 U.S.C. 253(g) (currently \$25,000) which are excluded from the certification requirements.

The bidder further certifies, to the best of his or her knowledge and belief, that:

- 1) No Federal appropriated funds have been paid or will be paid to any person for influencing or attempting to influence an officer or employee of any Federal agency, a Member of Congress, an officer or employee of Congress, or an employee of a Member of Congress in connection with the awarding of any Federal contract, the making of any Federal grant, the making of any Federal loan, the entering into of any cooperative agreement, and the extension, continuation, renewal, amendment, or modification of any Federal contract, grant, loan, or cooperative agreement.
- 2) If any funds other than Federal appropriated funds have been paid or will be paid to any person for influencing or attempting to influence an officer or employee of any Federal agency, a Member of Congress, an officer or employee of Congress, or an employee of a Member of Congress in connection with this contract, Standard Form-LLL, *Disclosure Form to Report Lobbying*, in accordance with its instructions will be completed and submitted.

The certification contained in (1) and (2) above is a material representation of fact upon which reliance is placed and a prerequisite imposed by Section 1352, Title 31, U.S. Code prior to entering into this contract. Failure to comply shall be subject to a civil penalty of not less than \$10,000 and not more than \$100,000. The bidder shall include the language of the certification in all subcontracts exceeding \$100,000 and all subcontractors shall certify and disclose accordingly.

All of the foregoing and attachments (when indicated) is true and correct.

MISSISSIPPI DEPARTMENT OF TRANSPORTATION

CERTIFICATION
(Execute in duplicate)

I, \_\_\_\_\_,
(Name of person submitting certification)

individually, and in my capacity as \_\_\_\_\_ of
(Title)

\_\_\_\_\_ do hereby certify under
(Name of Firm, Partnership, or Corporation)

penalty of perjury under the laws of the United States and the State of Mississippi that \_\_\_\_\_, Bidder
(Name of Firm, Partnership, or Corporation)

on Project No. CM-0017-00(041) / 106852301

in Desoto County(ies), Mississippi, has not either directly or indirectly entered into any agreement, participated in any collusion; or otherwise taken any action in restraint of free competitive bidding in connection with this contract; nor have any of its corporate officers or principal owners.

Except as noted hereafter, it is further certified that said legal entity and its corporate officers, principal owners, managers, auditors and others in a position of administering federal funds:

- a) Are not presently debarred, suspended, proposed for debarment, declared ineligible, or voluntarily excluded from covered transactions by any Federal department or agency;
b) Have not within a three-year period preceding this proposal been convicted of or had a civil judgment rendered against them for commission of fraud or a criminal offense in connection with obtaining, attempting to obtain, or performing a public (Federal, State or local) transaction or contract under a public transaction; violation of Federal or State antitrust statutes or commission of embezzlement, theft, forgery, bribery, falsification or destruction of records, making false statements, or receiving stolen property;
c) Are not presently indicted for or otherwise criminally or civilly charged by a governmental entity (Federal, State or local) with commission of any of the offenses enumerated in (b) above; and
d) Have not within a three-year period preceding this application/ proposal had one or more public transactions (Federal, State or local) terminated for cause or default.

Initial here \_\_\_\_\_ if exceptions are attached and made a part thereof. Any exceptions shall address to whom it applies, initiating agency and dates of such action.

Note: Exceptions will not necessarily result in denial of award but will be considered in determining bidder responsibility. Providing false information may result in criminal prosecution or administrative sanctions.

The bidder further certifies that the certification requirements contained in Section XI of Form FHWA 1273, will be or have been included in all subcontracts, material supply agreements, purchase orders, etc. except those procurement contracts for goods or services that are expected to be less than the Federal procurement small purchase threshold fixed at 10 U.S.C. 2304(g) and 41 U.S.C. 253(g) (currently \$25,000) which are excluded from the certification requirements.

The bidder further certifies, to the best of his or her knowledge and belief, that:

- 1) No Federal appropriated funds have been paid or will be paid to any person for influencing or attempting to influence an officer or employee of any Federal agency, a Member of Congress, an officer or employee of Congress, or an employee of a Member of Congress in connection with the awarding of any Federal contract, the making of any Federal grant, the making of any Federal loan, the entering into of any cooperative agreement, and the extension, continuation, renewal, amendment, or modification of any Federal contract, grant, loan, or cooperative agreement.
- 2) If any funds other than Federal appropriated funds have been paid or will be paid to any person for influencing or attempting to influence an officer or employee of any Federal agency, a Member of Congress, an officer or employee of Congress, or an employee of a Member of Congress in connection with this contract, Standard Form-LLL, *Disclosure Form to Report Lobbying*, in accordance with its instructions will be completed and submitted.

The certification contained in (1) and (2) above is a material representation of fact upon which reliance is placed and a prerequisite imposed by Section 1352, Title 31, U.S. Code prior to entering into this contract. Failure to comply shall be subject to a civil penalty of not less than \$10,000 and not more than \$100,000. The bidder shall include the language of the certification in all subcontracts exceeding \$100,000 and all subcontractors shall certify and disclose accordingly.

All of the foregoing and attachments (when indicated) is true and correct.

**MISSISSIPPI DEPARTMENT OF TRANSPORTATION**

SAM.GOV Registration and DUNS Number

Bidders are advised that the Prime Contractor must maintain current registration in the **System for Award Management** (<http://www.sam.gov>) at all times during the project. A Dun and Bradstreet Data Universal Numbering System (DUNS) Number (<http://www.dnb.com>) is one of the requirements for registration in the System for Award Management.

Bidders are advised that prior to the award of this contract, they **MUST** be registered in the System for Award Management.

I (We) acknowledge that this contract cannot be awarded if I (We) are not registered in the System for Award Management prior to the award of this contract. \_\_\_\_\_ (Yes / No)

I (We) have a DUNS Number . \_\_\_\_\_ (Yes / No)

DUNS Number: \_\_\_\_\_

Company Name: \_\_\_\_\_

Company e-mail address: \_\_\_\_\_

**S E C T I O N   9 0 2**

CONTRACT FOR CM-0017-00(041) / 106852301

LOCATED IN THE COUNTY(IES) OF Desoto

STATE OF MISSISSIPPI,  
COUNTY OF HINDS

This contract entered into by and between the Mississippi Transportation Commission on one hand, and the undersigned contractor, on the other witnesseth;

That, in consideration of the payment by the Mississippi Transportation Commission of the prices set out in the proposal hereto attached, to the undersigned contractor, such payment to be made in the manner and at the time of times specified in the specifications and the special provisions, if any, the undersigned contractor hereby agrees to accept the prices stated in the proposal in full compensation for the furnishing of all materials and equipment and the executing of all the work contemplated in this contract.

It is understood and agreed that the advertising according to law, the Advertisement, the instructions to bidders, the proposal for the contract, the specifications, the revisions of the specifications, the special provisions, and also the plans for the work herein contemplated, said plans showing more particularly the details of the work to be done, shall be held to be, and are hereby made a part of this contract by specific reference thereto and with like effect as if each and all of said instruments had been set out fully herein in words and figures.

It is further agreed that for the same consideration the undersigned contractor shall be responsible for all loss or damage arising out of the nature of the work aforesaid; or from the action of the elements and unforeseen obstructions or difficulties which may be encountered in the prosecution of the same and for all risks of every description connected with the work, exceptions being those specifically set out in the contract; and for faithfully completing the whole work in good and workmanlike manner according to the approved Plans, Specifications, Special Provisions, Notice(s) to Bidders and requirements of the Mississippi Department of Transportation.

It is further agreed that the work shall be done under the direct supervision and to the complete satisfaction of the Executive Director of the Mississippi Department of Transportation, or his authorized representatives, and when Federal Funds are involved subject to inspection at all times and approval by the Federal Highway Administration, or its agents as the case may be, or the agents of any other Agency whose funds are involved in accordance with those Acts of the Legislature of the State of Mississippi approved by the Governor and such rules and regulations issued pursuant thereto by the Mississippi Transportation Commission and the authorized Federal Agencies.

The Contractor agrees that all labor as outlined in the Special Provisions may be secured from list furnished by

It is agreed and understood that each and every provision of law and clause required by law to be inserted in this contract shall be deemed to be inserted herein and this contract shall be read and enforced as though it were included herein, and, if through mere mistake or otherwise any such provision is not inserted, then upon the application of either party hereto, the contract shall forthwith be physically amended to make such insertion.

The Contractor agrees that he has read each and every clause of this Contract, and fully understands the meaning of same and that he will comply with all the terms, covenants and agreements therein set forth.

Witness our signatures this the \_\_\_\_\_ day of \_\_\_\_\_, \_\_\_\_\_.

\_\_\_\_\_  
Contractor (s)

By \_\_\_\_\_

MISSISSIPPI TRANSPORTATION COMMISSION

Title \_\_\_\_\_

By \_\_\_\_\_

Signed and sealed in the presence of:  
(names and addresses of witnesses)

Executive Director

\_\_\_\_\_

Secretary to the Commission

Award authorized by the Mississippi Transportation Commission in session on the \_\_\_\_ day of \_\_\_\_\_, \_\_\_\_\_, Minute Book No. \_\_\_\_\_, Page No. \_\_\_\_\_.



**S E C T I O N 9 0 3**  
**PERFORMANCE AND PAYMENT BOND**

Bond #(s) \_\_\_\_\_

CONTRACT BOND FOR: CM-0017-00(041) / 106852301

LOCATED IN THE COUNTY(IES) OF: Desoto

STATE OF MISSISSIPPI,  
COUNTY OF HINDS

Know all men by these presents: that we, \_\_\_\_\_  
( Contractor )

\_\_\_\_\_ Principal, a \_\_\_\_\_

residing at \_\_\_\_\_ in the State of \_\_\_\_\_

and \_\_\_\_\_  
( Surety )

residing at \_\_\_\_\_ in the State of \_\_\_\_\_,

authorized to do business in the State of Mississippi, under the laws thereof, as surety, effective as of the contract date shown below, are held and firmly bound unto the State of Mississippi in the sum of \_\_\_\_\_

\_\_\_\_\_ (\$ \_\_\_\_\_) Dollars, lawful money of the United States of America, to be paid to it for which payment well and truly to be made, we bind ourselves, our heirs, administrators, successors, or assigns jointly and severally by these presents.

The conditions of this bond are such, that whereas the said \_\_\_\_\_

\_\_\_\_\_ principal, has (have) entered into a contract with the Mississippi Transportation Commission, bearing the date of \_\_\_\_\_ day of \_\_\_\_\_ A.D. \_\_\_\_\_ hereto annexed, for the construction of certain projects(s) in the State of Mississippi as mentioned in said contract in accordance with the Contract Documents therefor, on file in the offices of the Mississippi Department of Transportation, Jackson, Mississippi.

Now therefore, if the above bounden \_\_\_\_\_

\_\_\_\_\_ in all things shall stand to and abide by and well and truly observe, do keep and perform all and singular the terms, covenants, conditions, guarantees and agreements in said contract, contained on his (their) part to be observed, done, kept and performed and each of them, at the time and in the manner and form and furnish all of the material and equipment specified in said contract in strict accordance with the terms of said contract which said plans, specifications and special provisions are included in and form a part of said contract and shall maintain the said work contemplated until its final completion and acceptance as specified in Subsection 109.11 of the approved specifications, and save harmless said Mississippi Transportation Commission from any loss or damage arising out of or occasioned by the negligence, wrongful or criminal act, overcharge, fraud, or any other loss or damage whatsoever, on the part of said principal (s), his (their) agents, servants, or employees in the performance of said work or in any manner connected therewith, and shall be liable and responsible in a civil action instituted by the State at the instance of the Mississippi Transportation Commission or any officer of the State authorized in such cases, for double any amount in money or property, the State may lose or be overcharged or otherwise defrauded of, by reason of wrongful or criminal act, if any, of the Contractor(s), his (their) agents or employees, and shall promptly pay the said agents, servants and employees and all persons furnishing labor, material, equipment or supplies therefor, including premiums incurred, for Surety Bonds, Liability Insurance, and Workmen's Compensation Insurance; with the additional obligation that such Contractor shall promptly make payment of all taxes, licenses, assessments, contributions, damages,

any liquidated damages which may arise prior to any termination of said principal's contract, any liquidated damages which may arise after termination of the said principal's contract due to default on the part of said principal, penalties and interest thereon, when and as the same may be due this state, or any county, municipality, board, department, commission or political subdivision: in the course of the performance of said work and in accordance with Sections 31-5-51 et seq. Mississippi Code of 1972, and other State statutes applicable thereto, and shall carry out to the letter and to the satisfaction of the Executive Director of the Mississippi Department of Transportation, all, each and every one of the stipulations, obligations, conditions, covenants and agreements and terms of said contract in accordance with the terms thereof and all of the expense and cost and attorney's fee that may be incurred in the enforcement of the performance of said contract, or in the enforcement of the conditions and obligations of this bond, then this obligation shall be null and void, otherwise to be and remain in full force and virtue.

_____ (Contractors) Principal	_____ Surety
By _____	By _____ (Signature) Attorney in Fact
	Address _____ _____ _____
Title _____ (Contractor's Seal)	_____ (Printed) MS Agent
	_____ (Signature) MS Agent
	Address _____ _____ _____
	_____ (Surety Seal)
	_____ Mississippi Insurance ID Number



# BID BOND

KNOW ALL MEN BY THESE PRESENTS, that we \_\_\_\_\_  
Contractor

\_\_\_\_\_  
Address

\_\_\_\_\_  
City, State ZIP

as Principal, hereinafter called the Principal, and \_\_\_\_\_  
Surety

a corporation duly organized under the laws of the state of \_\_\_\_\_

as Surety, hereinafter called the Surety, are held and firmly bound unto State of Mississippi, Jackson, Mississippi

As Obligee, hereinafter called Obligee, in the sum of **Five Per Cent (5%) of Amount Bid**

Dollars (\$ \_\_\_\_\_)

for the payment of which sum will and truly to be made, the said Principal and said Surety, bind ourselves, our heirs, executors, administrators, successors and assigns, jointly and severally, firmly by these presents.

WHEREAS, the Principal has submitted a bid for **Installation of Fiber Optic Cable, Signal Controller, and Software, known as Federal Aid Project No. CM-0017-00(041) / 106852301 in Desoto County.**

NOW THEREFORE, the condition of this obligation is such that if the aforesaid Principal shall be awarded the contract, the said Principal will, within the time required, enter into a formal contract and give a good and sufficient bond to secure the performance of the terms and conditions of the contract, then this obligation to be void; otherwise the Principal and Surety will pay unto the Obligee the difference in money between the amount of the bid of the said Principal and the amount for which the Obligee legally contracts with another party to perform the work if the latter amount be in excess of the former, but in no event shall liability hereunder exceed the penal sum hereof.

Signed and sealed this \_\_\_\_\_ day of \_\_\_\_\_, 20\_\_

\_\_\_\_\_  
(Principal) (Seal)

\_\_\_\_\_  
(Witness) By: \_\_\_\_\_  
(Name) (Title)

\_\_\_\_\_  
(Surety) (Seal)

\_\_\_\_\_  
(Witness) By: \_\_\_\_\_  
(Attorney-in-Fact)

\_\_\_\_\_  
MS Agent

\_\_\_\_\_  
Mississippi Insurance ID Number

**MISSISSIPPI DEPARTMENT OF TRANSPORTATION  
OFFICE OF CIVIL RIGHTS  
JACKSON, MISSISSIPPI**

**LIST OF FIRMS SUBMITTING QUOTES**

I/we received quotes from the following firms on:

Letting Date: **October 27, 2015**

Project No: **CM-0017-00(041) / 106852301**

County: **Desoto**

Disadvantaged Business Enterprise (DBE) Regulations as stated in 49 CFR 26.11 require the Mississippi Department of Transportation (MDOT) to create and maintain a comprehensive list of all firms quoting/bidding subcontracts on prime contracts and quoting/bidding subcontracts on federally-funded transportation projects. For every firm, we require the following information:

Firm Name: \_\_\_\_\_  
Contact Name/Title: \_\_\_\_\_  
Firm Mailing Address \_\_\_\_\_  
Phone Number: \_\_\_\_\_  
\_\_\_\_\_ DBE Firm \_\_\_\_\_ Non-DBE Firm

Firm Name: \_\_\_\_\_  
Contact Name/Title: \_\_\_\_\_  
Firm Mailing Address \_\_\_\_\_  
Phone Number: \_\_\_\_\_  
\_\_\_\_\_ DBE Firm \_\_\_\_\_ Non-DBE Firm

Firm Name: \_\_\_\_\_  
Contact Name/Title: \_\_\_\_\_  
Firm Mailing Address \_\_\_\_\_  
Phone Number: \_\_\_\_\_  
\_\_\_\_\_ DBE Firm \_\_\_\_\_ Non-DBE Firm

Firm Name: \_\_\_\_\_  
Contact Name/Title: \_\_\_\_\_  
Firm Mailing Address \_\_\_\_\_  
Phone Number: \_\_\_\_\_  
\_\_\_\_\_ DBE Firm \_\_\_\_\_ Non-DBE Firm

Firm Name: \_\_\_\_\_  
Contact Name/Title: \_\_\_\_\_  
Firm Mailing Address \_\_\_\_\_  
Phone Number: \_\_\_\_\_  
\_\_\_\_\_ DBE Firm \_\_\_\_\_ Non-DBE Firm

\_\_\_\_\_  
**FIRM NAME**

Submit this form to **Contract Administration as a part of your bid package**. Question regarding this form shall be directed to [www.gomdot.com](http://www.gomdot.com) under the current letting webpage. Please make and add copies of this form when needed or attach additional sheets containing the information required by this form and add these sheets to the bid package.