

**SECTION 905 -- PROPOSAL (CONTINUED)**

I (We) hereby certify by digital signature and electronic submission via Bid Express of the Section 905 proposal below, that all certifications, disclosures and affidavits incorporated herein are deemed to be duly executed in the aggregate, fully enforceable and binding upon delivery of the bid proposal. I (We) further acknowledge that this certification shall not extend to the bid bond or alternate security which must be separately executed for the benefit of the Commission. This signature does not cure deficiencies in any required certifications, disclosures and/or affidavits. I (We) also acknowledge the right of the Commission to require full and final execution on any certification, disclosure or affidavit contained in the proposal at the Commission's election upon award. Failure to so execute at the Commission's request within the time allowed in the Standard Specifications for execution of all contract documents will result in forfeiture of the bid bond or alternate security.

Bidder acknowledges receipt of and has added to and made a part of the proposal and contract documents the following addendum (addenda):

ADDENDUM NO. <u>  1  </u>	DATED <u>  2/16/2018  </u>	ADDENDUM NO. _____	DATED _____
ADDENDUM NO. _____	DATED _____	ADDENDUM NO. _____	DATED _____
ADDENDUM NO. _____	DATED _____	ADDENDUM NO. _____	DATED _____

Number	Description
1	Revised NTB Nos. 497 & 501; Progress Schedule; Added or Revised Plan Sheet Nos. 2 & 6; Amendment EBS Download Required.

TOTAL ADDENDA:   1    
(Must agree with total addenda issued prior to opening of bids)

Respectfully Submitted,

DATE \_\_\_\_\_

\_\_\_\_\_  
Contractor

BY \_\_\_\_\_  
Signature

TITLE \_\_\_\_\_

ADDRESS \_\_\_\_\_

CITY, STATE, ZIP \_\_\_\_\_

PHONE \_\_\_\_\_

FAX \_\_\_\_\_

E-MAIL \_\_\_\_\_

(To be filled in if a corporation)

Our corporation is chartered under the Laws of the State of \_\_\_\_\_ and the names, titles and business addresses of the executives are as follows:

_____ President	_____ Address
_____ Secretary	_____ Address
_____ Treasurer	_____ Address

The following is my (our) itemized proposal.

IM-0055-01(107) / 106669301000

Lincoln County(ies)

Revised 01/26/2016

**MISSISSIPPI DEPARTMENT OF TRANSPORTATION**

**SECTION 904 - NOTICE TO BIDDERS NO. 497**

**CODE: (SP)**

**DATE: 2/16/2018**

**SUBJECT: Contract Time**

**PROJECT: IM-0055-01(107) / 106669301 – Lincoln County**

The completion of work to be performed by the Contractor for this project will not be a specified date but shall be when all allowable working days are assessed, or any extension thereto as provided in Subsection 108.06. It is anticipated that the Notice of Award will be issued no later than March 13, 2018 and the date for Notice to Proceed / Beginning of Contract Time will be May 14, 2018.

Should the Contractor request a Notice to Proceed earlier than May 14, 2018 and it is agreeable with the Department for an early Notice to Proceed, the requested date will become the new Notice to Proceed date.

183 Working Days have been allowed for the completion of work on this project.

**MISSISSIPPI DEPARTMENT OF TRANSPORTATION**

**SECTION 904 - NOTICE TO BIDDERS NO. 501**

**CODE: (SP)**

**DATE: 2/16/2018**

**SUBJECT: Additional Construction Requirements**

**PROJECT: IM-0055-01(107) / 106669301 – Lincoln County**

Bidders are hereby notified that traffic will not be allowed to run on the mainline milled surface. Therefore, the Contractor will be required to place asphalt under the same lane closure as the milling operation.

Bidders are hereby advised that clearing operations must be complete, for the entire direction of travel, prior to beginning asphalt operations in that same direction. Any newly placed asphalt damaged as a result of clearing operations shall be removed and replaced at the Contractor's expense.

NO.	WORK PHASE DESCRIPTION	LINE NUMBERS	JAN		FEB		MAR		APRIL		MAY		JUNE		JULY		AUGUST		SEPTEMBER		OCTOBER		NOV		DEC			
			6	7	11	15	19	20	21	21	21	20	19	15	11	11	5	6	7	11	15	19	20	21	21	16	11	5
1	Miscellaneous	10-20, 40-110, 130-240, 380-630, 710-800																										
2	Paving	30, 120, 250-360, 810-830										5																
3	Pavement Marking	370, 640-700, 840-890																										
MONTH			JAN	FEB	MAR	APRIL	MAY	JUNE	JULY	AUGUST	SEPTEMBER	OCTOBER	NOV	DEC	JAN	FEB	MAR	APRIL	MAY	JUNE	JULY	AUGUST	SEPTEMBER	OCTOBER	NOV	DEC		
ANTICIPATED WORKING DAYS PER MONTH			6	7	11	15	19	20	21	21	20	16	11	5	6	7	11	15	19	20	21	21	20	16	11	5		
ANTICIPATED WORKING DAYS PER YEAR																									172			

**NOTE: THE ANTICIPATED WORKING DAYS SHOWN ON THIS SCHEDULE ARE FOR INFORMATIONAL PURPOSES ONLY. THE ACTUAL WORKING DAY TOTAL AS ASSESSED BY THE PROJECT ENGINEER ON FORM CSD-765 SHALL GOVERN.**

**ADDENDUM**

STATE	PROJECT NO.
MISS.	IM-0055-01(107)

DESCRIPTION OF SHEET

**WKG. NO.**  
**SH. NO.**

DESCRIPTION OF SHEET

**WKG. NO.**  
**SH. NO.**


TITLE AND LAYOUT SHEET (1)		1
△ <b>DETAIL INDEX AND GENERAL NOTES (4)</b>		
DETAIL INDEX	DI-1	2
DETAIL INDEX	DI-2	3
GENERAL NOTES	GN-1	4
GENERAL NOTES	GN-1	5
TYPICAL SECTION - MAINLINE	TS-1	6
TYPICAL SECTION - INTERCHANGE RAMP	TS-2	7
TYPICAL SECTION - LOCAL ROAD	TS-3	8
TYPICAL SECTION - BOP / EOP & BRIDGES	TS-4	9
△ <b>QUANTITY SHEETS (11)</b>		
SUMMARY OF ESTIMATED QUANTITIES	SQ-1	10
SUMMARY OF ESTIMATED QUANTITIES	SQ-2	11
SUMMARY OF ESTIMATED QUANTITIES	△ SQ-3	12
△ ESTIMATED QUANTITIES FOR MILLING, ASPHALT, AND GRANULAR MATERIAL	EQ-1	13
ESTIMATED GUARDRAIL QUANTITIES	EQ-2	14
ESTIMATED EARTHWORK QUANTITIES	EQ-3	15
ESTIMATED REMOVAL QUANTITIES	EQ-4	16
ESTIMATED CLEARING QUANTITIES	EQ-5	17
ESTIMATED DRAINAGE STRUCTURE QUANTITIES	EQ-6	18
△ ESTIMATED QUANTITIES REMOVE AND RESET SIGNS	EQ-7	19
ESTIMATED QUANTITIES FOR TRAFFIC CONTROL	TCPQ-1	20
<b>PLAN - PROFILE SHEETS (22)</b>		
STA. 279+60 - STA. 305+00	WK03	21
SOUTH BOGUE CHITTO RAMP EXTENSION	WK03A	22
BOGUE CHITTO ROAD	WK03B	23
STA. 305+00 - STA. 335+00	WK04	24
NORTH BOGUE CHITTO RAMP EXTENSION	WK04A	25
STA. 335+00 - STA. 365+00	WK05	26
STA. 365+00 - STA. 395+00	WK06	27
STA. 395+00 - STA. 425+00	WK07	28
STA. 425+00 - STA. 455+00	WK08	29
STA. 455+00 - STA. 485+00	WK09	30
STA. 485+00 - STA. 515+00	WK10	31
△ STA. 515+00 - STA. 545+00	WK11	32
△ STA. 545+00 - STA. 575+00	WK12	33
STA. 575+00 - STA. 604+00	WK13	34
STA. 604+00 - STA. 634+00	WK14	35
STA. 634+00 - STA. 664+00	WK15	36
STA. 664+00 - STA. 694+00	WK16	37
STA. 694+00 - STA. 724+00	WK17	38
U.S. 84 SOUTH RAMP EXTENSION	WK17A	39
STA. 724+00 - STA. 754+00	WK18	40
U.S. 84 NORTH RAMP EXTENSION	WK18A	41
STA. 754+00 - STA. 765+00	WK19	42
△ <b>SPECIAL DESIGN SHEETS (37)</b>		
DETAIL CONSTRUCTION SIGNING	DCS-1	43
PAVING DETAIL AT RAMPS	PDR-1	44
DETAIL OF MILLING AT UNDERPASSES	DMB-1	45
CLEARING LIMITS	CL-1	46
EMERGENCY / OFFICIAL USE MEDIAN CROSS OVERS	EXO-1	47
DRAINAGE DETAIL	DD-1	48
VEGETATION SCHEDULE	VS-1	49
GUARDRAIL TYPICAL INSTALLATION AT BRIDGE APPROACHES FOR DIVIDED HIGHWAYS	GR-4A-MOD	50
TRAFFIC RECORDER WIM KISTLER SYSTEM	TRS-1	51
EROSION CONTROL PLAN - STA. 279+60 - STA. 305+00	ECP3	52
EROSION CONTROL PLAN - SOUTH BOGUE CHITTO RAMP EXTENSION	ECP3A	53
EROSION CONTROL PLAN - BOGUE CHITTO ROAD	ECP3B	54
EROSION CONTROL PLAN - STA. 305+00 - STA. 335+00	ECP4	55
EROSION CONTROL PLAN - NORTH BOGUE CHITTO RAMP EXTENSION	ECP4A	56
EROSION CONTROL PLAN - STA. 335+00 - STA. 365+00	ECP5	57
EROSION CONTROL PLAN - STA. 365+00 - STA. 395+00	ECP6	58
EROSION CONTROL PLAN - STA. 395+00 - STA. 425+00	ECP7	59
EROSION CONTROL PLAN - STA. 425+00 - STA. 455+00	ECP8	60
EROSION CONTROL PLAN - STA. 455+00 - STA. 485+00	ECP9	61

EROSION CONTROL PLAN - STA. 485+00 - STA. 515+00	ECP10	62
EROSION CONTROL PLAN - STA. 515+00 - STA. 545+00	ECP11	63
EROSION CONTROL PLAN - STA. 545+00 - STA. 575+00	ECP12	64
EROSION CONTROL PLAN - STA. 575+00 - STA. 604+00	ECP13	65
EROSION CONTROL PLAN - STA. 604+00 - STA. 634+00	ECP14	66
EROSION CONTROL PLAN - STA. 634+00 - STA. 664+00	ECP15	67
EROSION CONTROL PLAN - STA. 664+00 - STA. 694+00	ECP16	68
EROSION CONTROL PLAN - STA. 694+00 - STA. 724+00	ECP17	69
EROSION CONTROL PLAN - U.S. 84 SOUTH RAMP EXTENSION	ECP17A	70
EROSION CONTROL PLAN - STA. 724+00 - STA. 754+00	ECP18	71
EROSION CONTROL PLAN - U.S. 84 NORTH RAMP EXTENSION	ECP18A	72
EROSION CONTROL PLAN - STA. 754+00 - STA. 765+00	ECP19	73
SURVEY CONTROL DATA SHEET - STA. 279+60.140 - STA. 310+00	20	74
SURVEY CONTROL DATA SHEET - STA. 310+00 - STA. 345+00	21	75
SURVEY CONTROL DATA SHEET - STA. 375+00 - STA. 410+00	22	76
SURVEY CONTROL DATA SHEET - STA. 475+00 - STA. 510+00	23	77
SURVEY CONTROL DATA SHEET - STA. 605+00 - 640+00	24	78
SURVEY CONTROL DATA SHEET - STA. 705+00 - STA. 740+00	25	79
△ <b>STANDARD DRAWINGS (57)</b>		
PAVEMENT MARKING DETAILS FOR 2-LANE AND 4-LANE DIVIDED HIGHWAYS	PM-1	6051
RUMBLE STRIP DETAIL FOR OGFC OR CONCRETE ROADWAY WITH ASPHALT SHOULDERS	RS-3	6066
TYPICAL TEMPORARY EROSION / SEDIMENT CONTROL APPLICATION	ECD-1	6101
DETAIL OF SEDIMENT BARRIER APPLICATIONS	ECD-2	6102
DETAIL OF SILT FENCE INSTALLATION	ECD-3	6103
DITCH CHECK STRUCTURES, TYPICAL APPLICATIONS AND DETAILS	ECD-4	6104
TEMPORARY EROSION, SEDIMENT, AND WATER POLLUTION CONTROL MEASURES	ECD-5	6105
DETAIL OF EROSION CONTROL WATTLE DITCH CHECKS	ECD-6	6106
DETAIL OF EROSION CONTROL SILT DIKE DITCH CHECK	ECD-7	6107
ROCK DITCH CHECK	ECD-8	6108
ROCK FILTER DAM	ECD-9	6109
ROCK DITCH CHECK WITH SUMP EXCAVATION AND ROCK FILTER DAM	ECD-10	6110
TYPICAL APPLICATIONS AND DETAILS FOR INLET CONSTRUCTION	ECD-11	6111
INLET PROTECTION DETAILS FOR SEDIMENT CONTROL STONE ON GRADES AND SAGS	ECD-12	6112
INLET PROTECTION DETAILS OF WATTLES	ECD-13	6113
INLET PROTECTION DETAILS OF MANUFACTURED INLET PROTECTION DEVICE	ECD-14	6114
INLET PROTECTION DETAILS OF SANDBAGS	ECD-15	6115
STABILIZED CONSTRUCTION ENTRANCE	ECD-16	6116
TEMPORARY CULVERT STREAM CROSSING	ECD-17	6117
TEMPORARY STREAM DIVERSION	ECD-18	6118
TEMPORARY STREAM DIVERSION (BOX EXTENSIONS)	ECD-19	6119
FLOATING TURBIDITY CURTAIN	ECD-20	6120
DETAIL OF EROSION CONTROL SANDBAG DITCH CHECK	ECD-21	6121
SEDIMENT RETENTION BARRIER	ECD-22	6122
DETAILS OF TYPICAL DITCH TREATMENT	DT-1	6123
GUARDRAIL "W" BEAM	GR-1	6201
GUARDRAIL: THRIE BEAM	GR-1A	6202
GUARDRAIL BRIDGE END SECTION TYPE I	GR-2F	6210
GUARDRAIL: TYPE 1 CABLE ANCHORAGE	GR-3A	6213
GUARDRAIL : MISCELLANEOUS HARDWARE	GR-HW	6221

2/8/2018 10:58:27 (02)DETAILINDEX.dgn PLAN DIVISION MISSISSIPPI DEPARTMENT OF TRANSPORTATION

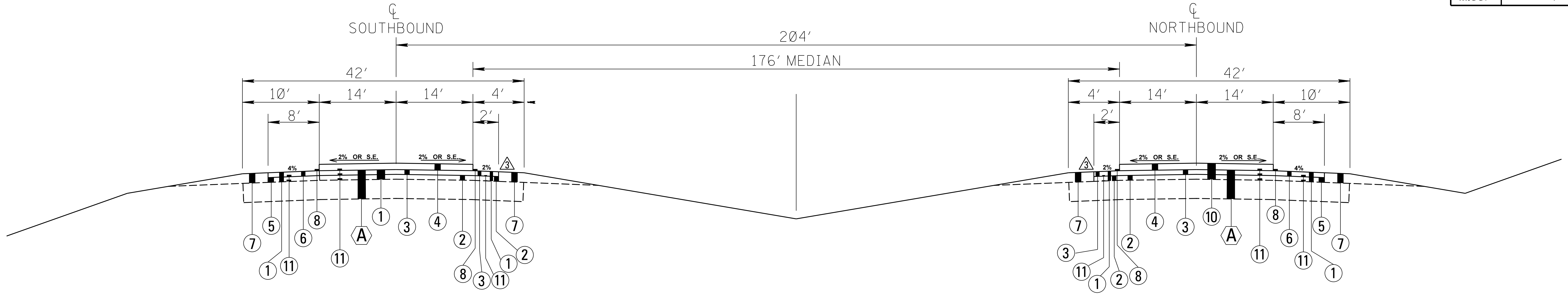
PS & E PLANS-DATE 11-27-17		
FMS CON. # 106669/301000		
REVISIONS		
DATE	SHEET NO.	BY
11-27-17	1-3, 7-11, 13, 19, 21,	SG
	24, 26-42, 52-53,	
	55-73	
01-18-18	4, 5, 6, 7, 9, 10, 13,	SG
	16, 19, 38, 50	
02-08-18	6	SG

REVISION BY DATE TEXT CHANGE	MISSISSIPPI DEPARTMENT OF TRANSPORTATION	
	<b>DETAIL INDEX</b>	
	PROJ. NO.: IM-0055-01(107) COUNTY: Lincoln	
	FILENAME: (02)DETAILINDEX.dgn DESIGN TEAM _____ CHECKED _____ DATE 2017-08-08	

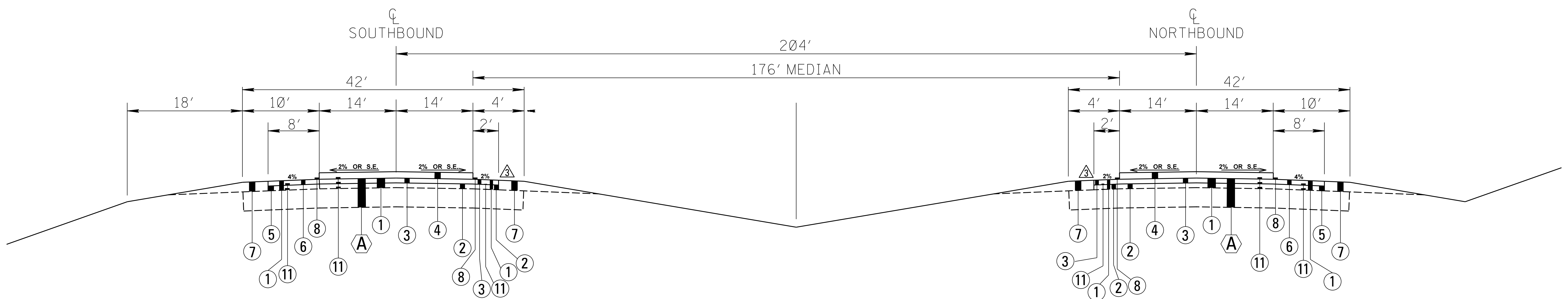
 WORKING NUMBER <b>DI-1</b>	SHEET NUMBER <b>2</b>
------------------------------------------------------------------------------------------------------------------------	--------------------------

**ADDENDUM**

STATE	PROJECT NO.
MISS.	IM-0055-01(107)



**TYPICAL SECTION STA. 279+60.14 TO STA. 398+10.16**



**TYPICAL SECTION STA. 398+10.16 TO STA. 765+00**

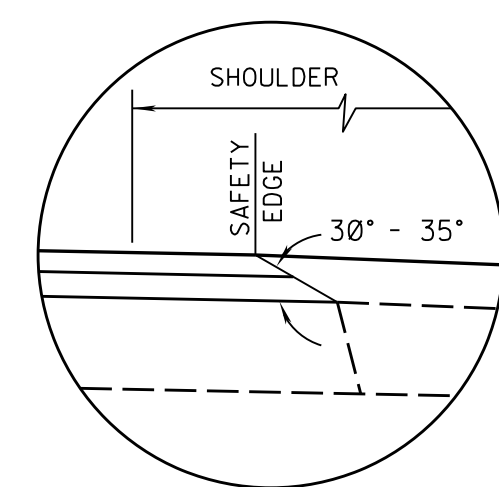
**EXISTING**

**PROPOSED**

**A** 10" OF ASPHALT PAVEMENT IN PLACE

- ① 3.50" & VAR. OF COLD MILLING REQ'D  $\Delta$
- ② 2.00" OF 12.5MM SMA REQ'D (1 @ 2.00")
- ③ 1.50" OF 9.5MM SMA REQ'D (1 @ 1.50")
- ④ 1.00" OF OGFC REQ'D (1 @ 1.00")
- ⑤ 2.00" OF 12.5MM ST ASPHALT REQ'D (1 @ 2.00")
- ⑥ 1.50" OF 9.5MM ST ASPHALT REQ'D (1 @ 1.50")
- ⑦ 3.50" & VAR. OF CLASS 6 GROUP D GRANULAR MATERIAL REQ'D
- ⑧ RUMBLE STRIP REQ'D (SEE RS-3)
- ⑩ 4.50" & VAR. OF COLD MILLING REQ'D  $\Delta$
- ⑪ TACK COAT REQ'D
- ⑫ 1.50" & VAR. OF CLASS 6 GROUP D GRANULAR MATERIAL (NOT USED ON THIS PAGE)

**SEE DMB-1 FOR MILLING @ UNDERPASSES**



SAFETY EDGE REQ'D TOP 2 LIFTS ONLY (NOT A PAY ITEM) OVERLAY

MISSISSIPPI DEPARTMENT OF TRANSPORTATION			
<b>TYPICAL SECTION MAINLINE</b> $\Delta$			
PROJ. NO.: IM-0055-01(107) COUNTY: Lincoln			
FILENAME: (04) TS.dgn			
DESIGN TEAM	CHECKED	DATE 2017-09-06	
WORKING NUMBER			<b>TS-1</b>
SHEET NUMBER			<b>6</b>



2/8/2018 1:04:57:42 (04) TS.DGN