

**SECTION 905 -- PROPOSAL (CONTINUED)**

I (We) hereby certify by digital signature and electronic submission via Bid Express of the Section 905 proposal below, that all certifications, disclosures and affidavits incorporated herein are deemed to be duly executed in the aggregate, fully enforceable and binding upon delivery of the bid proposal. I (We) further acknowledge that this certification shall not extend to the bid bond or alternate security which must be separately executed for the benefit of the Commission. This signature does not cure deficiencies in any required certifications, disclosures and/or affidavits. I (We) also acknowledge the right of the Commission to require full and final execution on any certification, disclosure or affidavit contained in the proposal at the Commission's election upon award. Failure to so execute at the Commission's request within the time allowed in the Standard Specifications for execution of all contract documents will result in forfeiture of the bid bond or alternate security.

Bidder acknowledges receipt of and has added to and made a part of the proposal and contract documents the following addendum (addenda):

ADDENDUM NO. <u>  1  </u>	DATED <u>  6/18/2026  </u>	ADDENDUM NO. <u>          </u>	DATED <u>          </u>
ADDENDUM NO. <u>          </u>	DATED <u>          </u>	ADDENDUM NO. <u>          </u>	DATED <u>          </u>
ADDENDUM NO. <u>          </u>	DATED <u>          </u>	ADDENDUM NO. <u>          </u>	DATED <u>          </u>

Number	Description
1	Revised Notice to Bidder No. 8061; Amendment EBSx Download Required.

TOTAL ADDENDA:   1    
(Must agree with total addenda issued prior to opening of bids)

Respectfully Submitted,

DATE \_\_\_\_\_

\_\_\_\_\_  
Contractor

BY \_\_\_\_\_  
Signature

TITLE \_\_\_\_\_

ADDRESS \_\_\_\_\_

CITY, STATE, ZIP \_\_\_\_\_

PHONE \_\_\_\_\_

FAX \_\_\_\_\_

E-MAIL \_\_\_\_\_

(To be filled in if a corporation)

Our corporation is chartered under the Laws of the State of \_\_\_\_\_ and the names, titles and business addresses of the executives are as follows:

\_\_\_\_\_  
President Address

\_\_\_\_\_  
Secretary Address

\_\_\_\_\_  
Treasurer Address

The following is my (our) itemized proposal.  
NHPP-0024-02(036)/ 109680301000  
Madison County(ies)

Revised 01/26/2016

# MISSISSIPPI DEPARTMENT OF TRANSPORTATION

**SECTION 904 – NOTICE TO BIDDERS NO. 8061**

**CODE: (SP)**

**DATE: 6/18/2026**

**SUBJECT: Scope of Work**

**PROJECT: NHPP-0024-02(036) / 109680-301000 Madison County**

The contract documents do not include an official set of construction plans but may, by reference, include some Standard Drawings when so specified in a Notice to Bidders entitled, “Attached Drawings”.

Minor changes in detail of design or construction procedure may be authorized by the Director of Structures, State Bridge Engineer provided such changes will not be cause for contract price adjustment. Work for which no pay item is provided will not be paid for directly and shall therefore be considered an absorbed item of work.

It shall be the responsibility of the Contractor to protect existing structures from damage which might occur during construction. The Contractor shall replace or repair, as directed by the Director of Structures, State Bridge Engineer, any structures damaged during the life of the contract. No payment will be made for replacement or repair of damaged items.

Any areas disturbed by the Contractor shall be stabilized by the end of the Project at no additional cost to the State.

All details are based on the dimensions shown on the original plans for the existing structure. The Contractor shall be responsible for adjusting the elements of the new construction to ensure a proper fit with the existing structure. The Contractor shall verify all dimensions of the existing structure prior to any fabrication or construction.

During construction, care shall be exercised to ensure that no debris falls into any hydraulic or traffic crossings below the structures. All debris, including any material that has accumulated on or in the box culvert, shall become the property of the Contractor and shall be removed from the construction site.

As-built information plans are available at the Contractor’s request and can be provided by Bridge Division.

Scope of Work – Bridge #32.5 (ID 13058) SR 22 over Persimmon Creek, Madison County

- Underseal apron on the downstream end.
- Place riprap on the downstream end.
- Fill washout spots behind wingwalls.
- Clear debris on or in the box culvert.

### **Undersealing**

Undersealing shall be done in accordance with the Attached Drawings and Special Provision 907-420. Voids are to be filled with injectable urethane compound material meeting the required properties in Special Provision Subsection 907-420.02. Prior to injection, the site shall be prepared according to the Manufacturer's recommendations. Urethane compound shall be installed in strict accordance with Manufacturer's instructions. All costs associated with filling voids with urethane compound shall be included in Pay Item No. 907-420-A001, Undersealing.

### **Riprap Placement**

Riprap placement shall be done in accordance with the Attached Drawings and following notes below. All costs associated with riprap placement shall be included in Pay Item No. 815-A007, Loose Riprap, Size 300.

1. No dirt can be pushed into the channel.
2. No silt or spills shall enter the waterway.
3. If a platform for working is needed, then riprap may be used. This work shall be considered as an absorbed item.
4. Minimize disturbance to existing banks and stream.
5. Turbidity curtains may be required.
6. Clearing shall be kept to a minimum and grubbing will not be allowed. This work shall be considered as an absorbed item.
7. Riprap shall only be placed within the right of way boundaries.
8. All riprap shall be size 300#.
9. Any vegetation that will interfere with the placement of riprap shall be removed and is the responsibility of the Contractor. This work shall be considered as an absorbed item.
10. All costs associated with the construction of a haul road shall be absorbed.

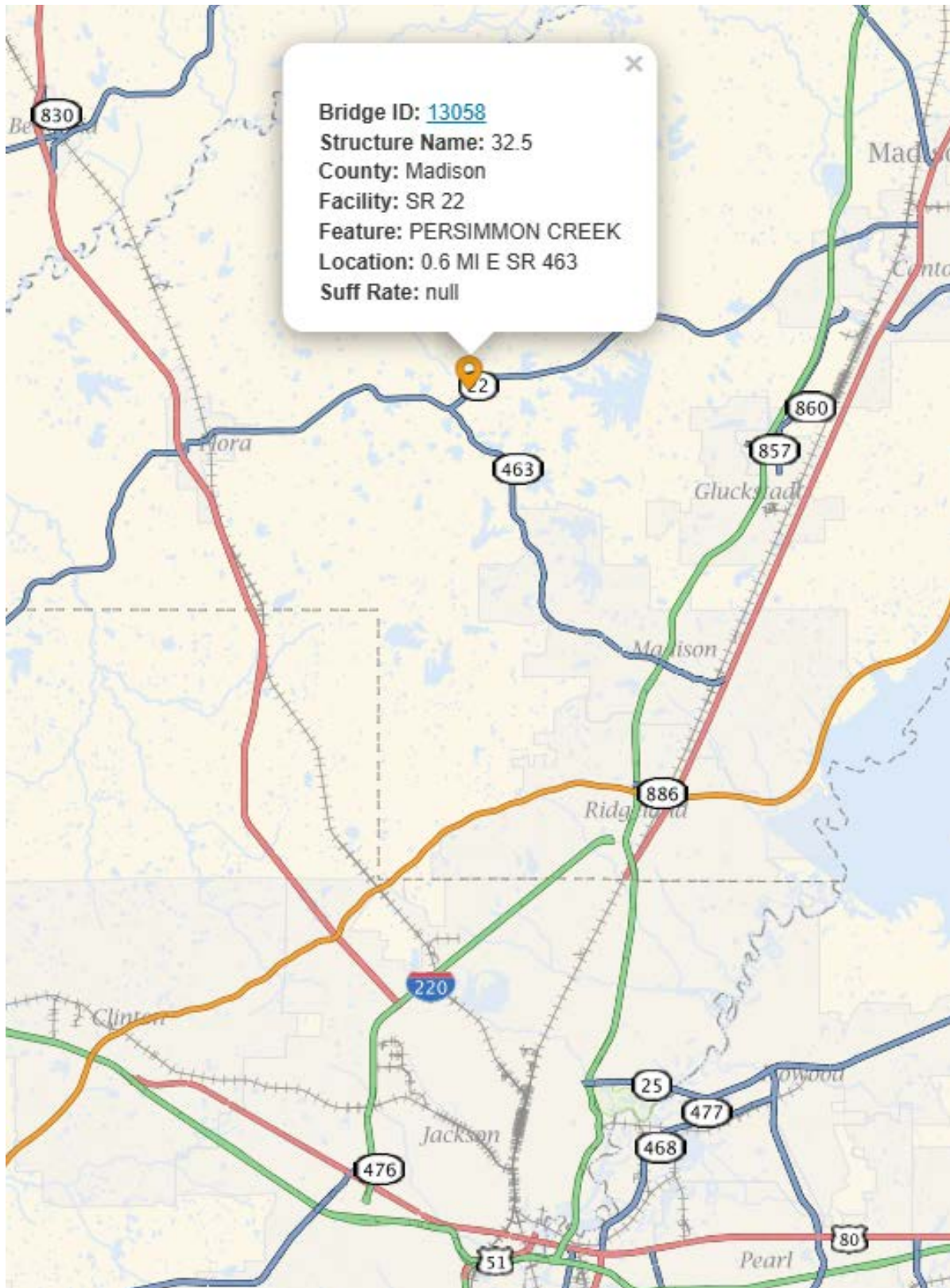
### **Washout Filling**

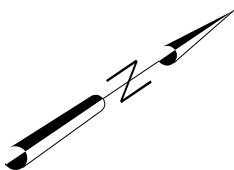
Washouts along all wingwalls as shown in the Attached Drawings shall be filled to the natural groundline and shall be paid for under Pay Item No. 304-D002, Granular Material, Crushed Stone.

### **Special Provisions Required**

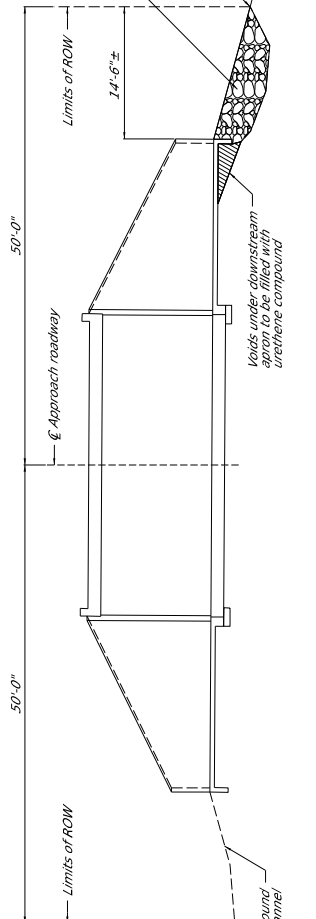
907-420: Undersealing

**Bridge Location Map**





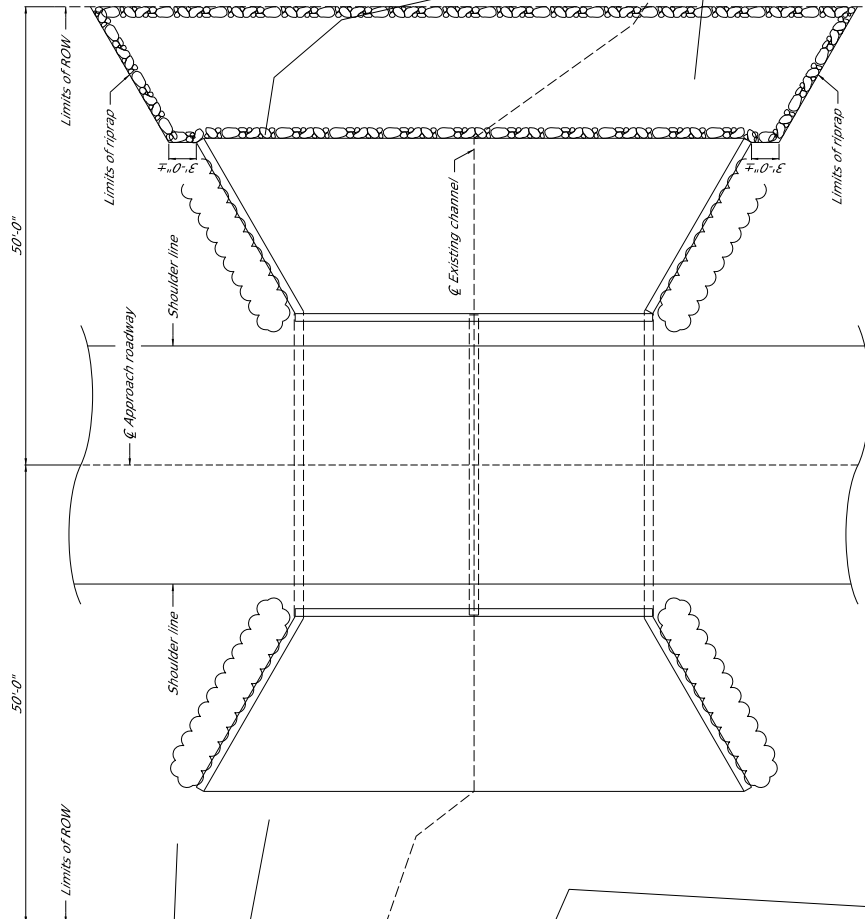
Scour hole to be filled with size #300 riprap  
Grade to existing  
Natural ground of channel



**ELEVATION ALONG C.C. CHANNEL**  
Showing undersealing location and riprap placement on the downstream end

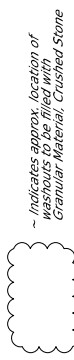


Approx. top of bank  
Approx. channel toe



**RIPRAP PLACEMENT PLAN**  
Showing washout locations and riprap placement on the downstream end

Approx. top of bank  
Approx. channel toe



- Indicates approx. location of washouts to be filled with Granular Material, Crushed Stone